

# OBLIQUE PROJECTION

## QUESTION

**DRAW THE TABLE IN OBLIQUE PROJECTION. TAKE YOUR MEASUREMENTS FROM THE FRONT AND PLAN VIEWS SHOWN ON THE RIGHT. WHERE NECESSARY, ESTIMATE MEASUREMENTS. (SCALE 2:1)**  
**REMEMBER THAT ALL MEASUREMENTS REPRESENTING 'DEPTHS' (AT 45 DEGREES) SHOULD BE HALVED.**

**SCALE 2:1**

HELPFUL LINK

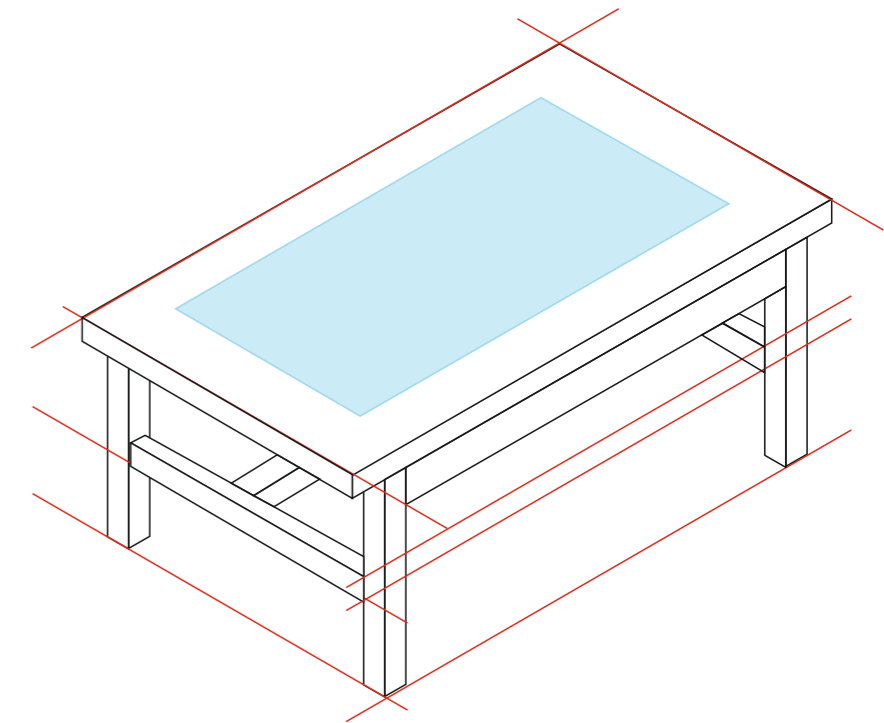


HELPFUL LINK:

[https://technologystudent.com/despro\\_3/oblique8.html](https://technologystudent.com/despro_3/oblique8.html)

ISOMETRIC  
(not to scale)

## GLASS TOP TABLE



## FRONT AND PLAN VIEWS

