

OBLIQUE PROJECTION

QUESTION

COMPLETE THE TABLE IN OBLIQUE PROJECTION. TAKE YOUR MEASUREMENTS FROM THE FRONT AND PLAN VIEWS SHOWN ON THE RIGHT. WHERE NECESSARY, ESTIMATE MEASUREMENTS. (SCALE 2:1)

REMEMBER THAT ALL MEASUREMENTS REPRESENTING 'DEPTHS' (AT 45 DEGREES) SHOULD BE HALVED.

SOME OF THE LINES HAVE BEEN DRAWN FOR YOU, TO HELP YOU GET STARTED.

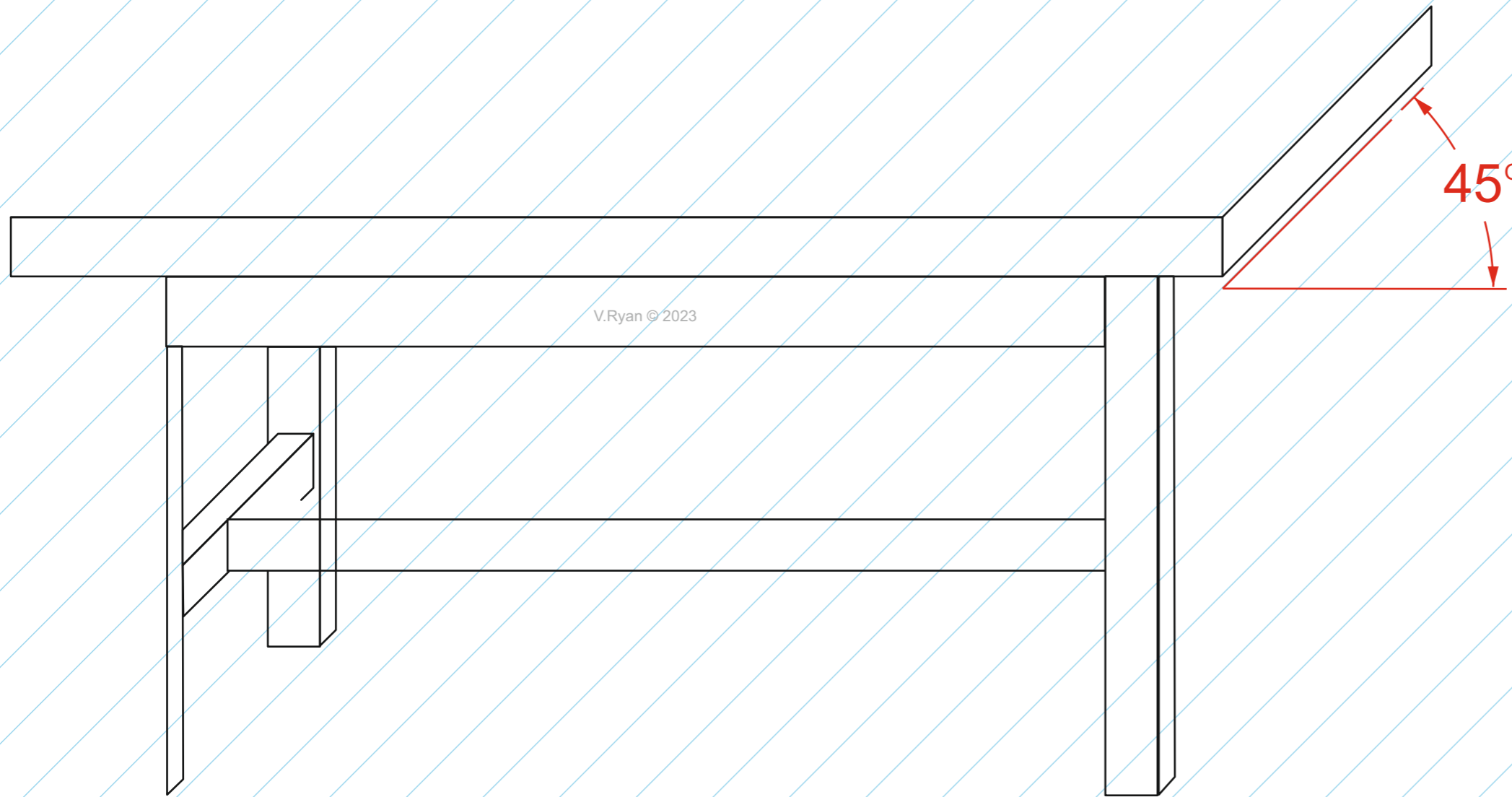
SCALE 2:1

HELPFUL LINK



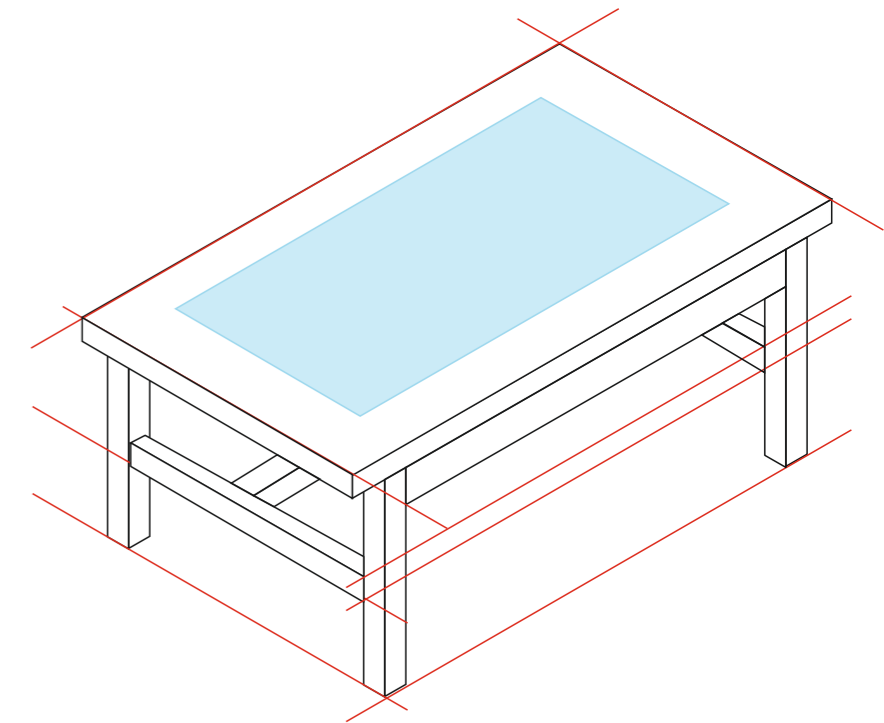
HELPFUL LINK:

https://technologystudent.com/despro_3/oblique8.html



V.Ryan © 2023

ISOMETRIC (not to scale) **GLASS TOP TABLE**



FRONT AND PLAN VIEWS

