

THIRD ANGLE ORTHOGRAPHIC DRAWING - TYPICAL HAND DRILL

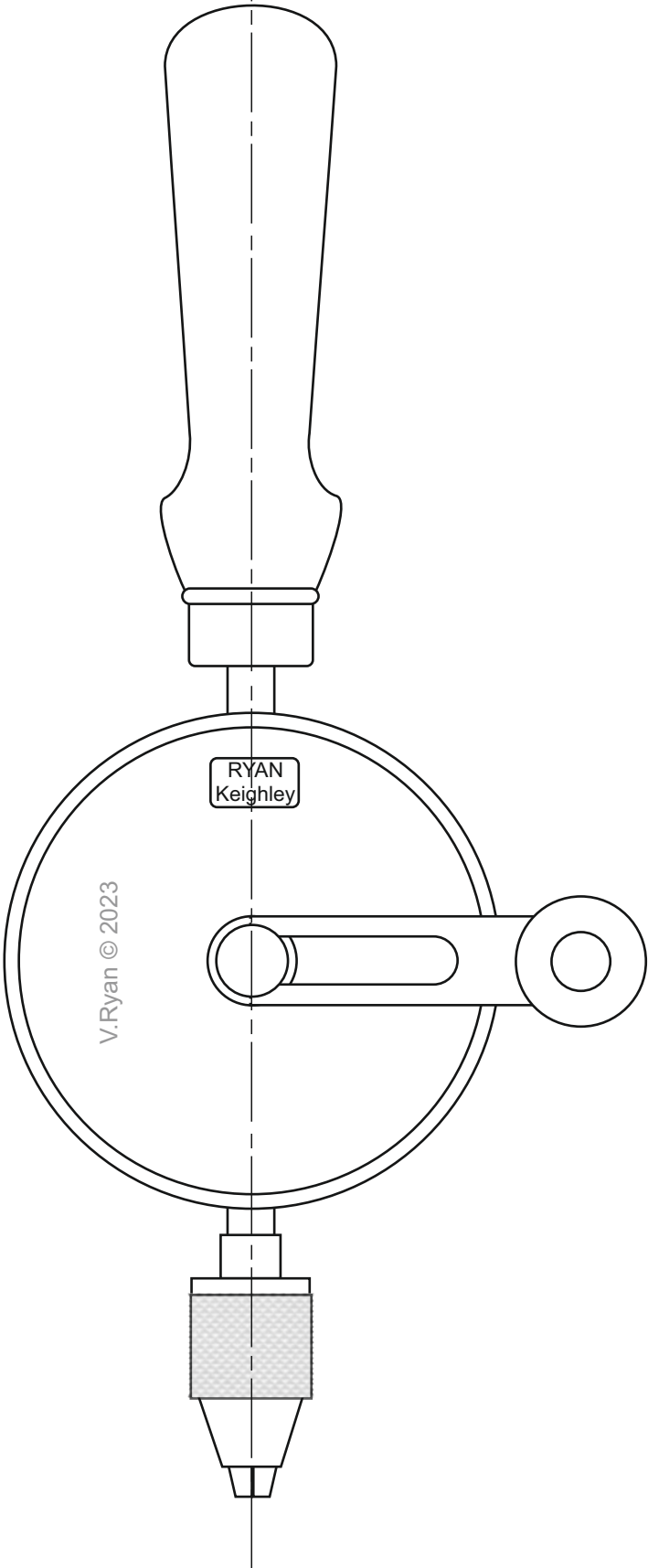
HELPFUL LINKS: https://technologystudent.com/despro_f1sh/third14.html

HELPFUL LINK

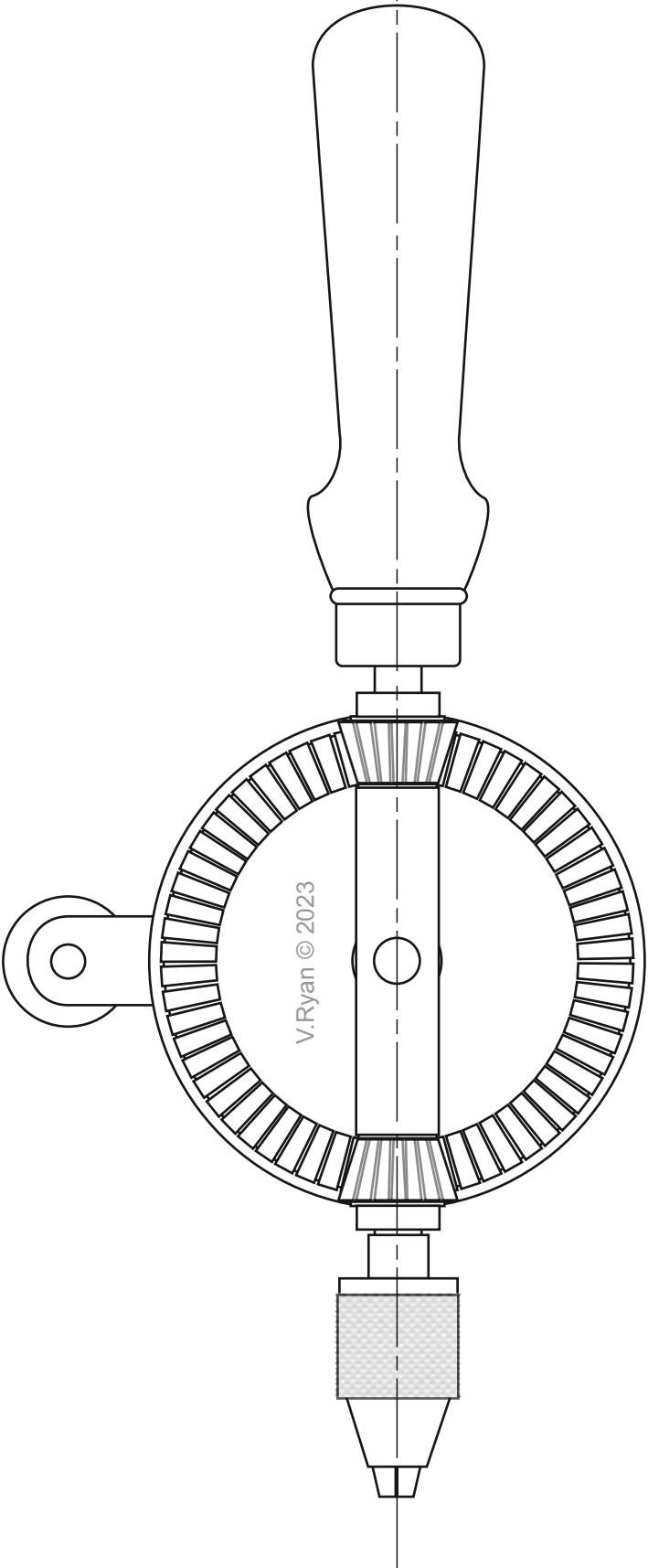


THREE VIEWS OF A TYPICAL HAND DRILL ARE SHOWN BELOW. COMPLETE THE SIDE VIEW BY ADDING THE MISSING PARTS. ADD EIGHT DIMENSIONS, ACROSS ALL THREE VIEWS. SELECT ONE OF THE VIEWS AND APPLY COLOUR AND SHADE.
(You are advised to study and handle a hand drill). Take the measurements / dimensions from the hand drill you have been given to study.

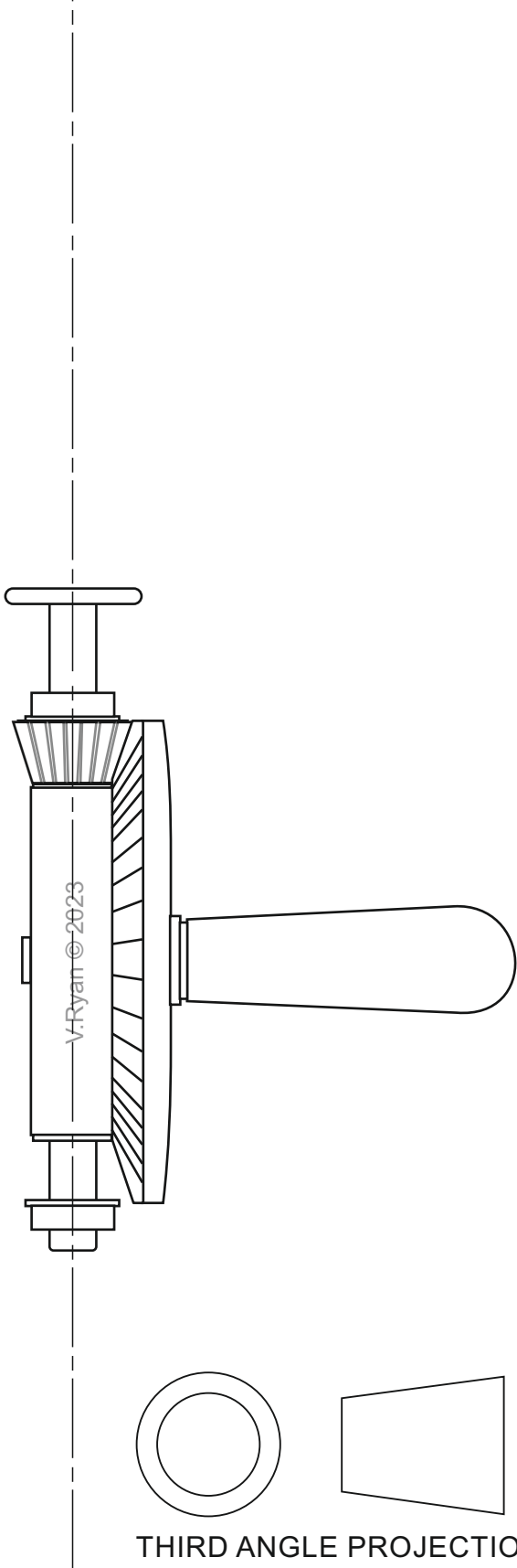
FRONT VIEW



BACK VIEW



SIDE VIEW



THIRD ANGLE PROJECTION