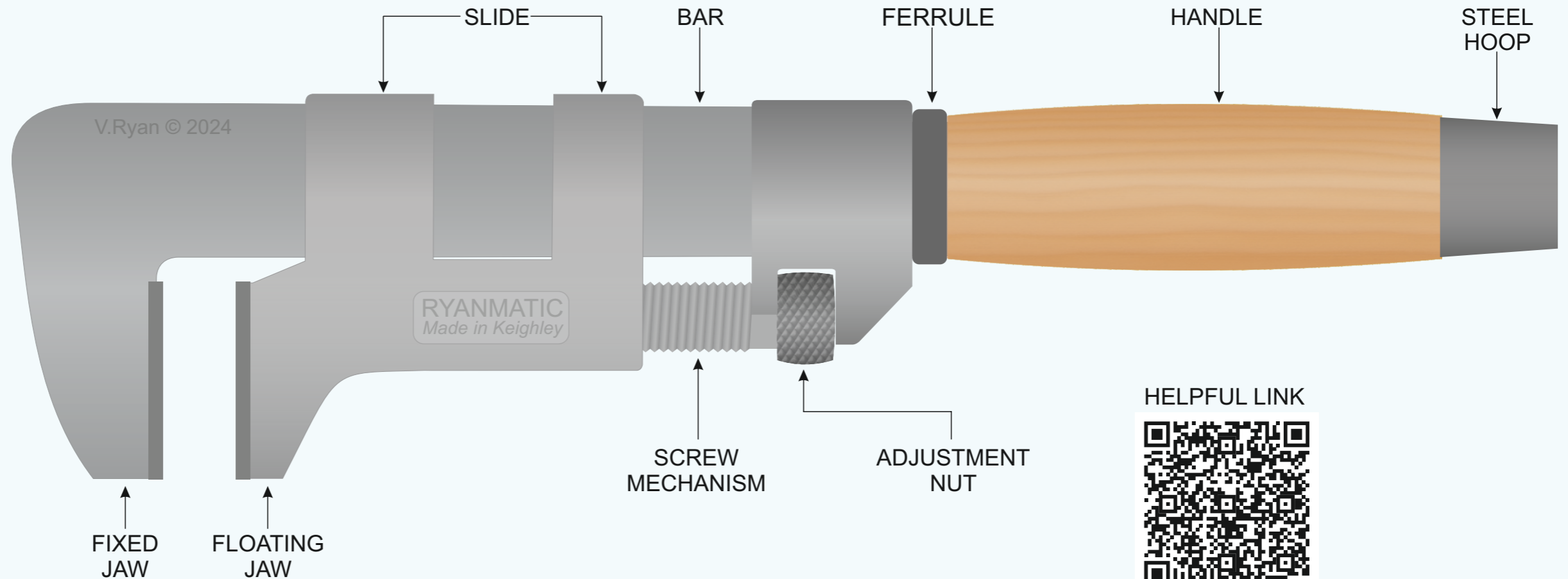


THE TRADITIONAL MONKEY WRENCH

WORLD ASSOCIATION OF TECHNOLOGY TEACHERS <https://www.facebook.com/groups/254963448192823/> www.technologystudent.com © 2024 V.Ryan © 2024

THE MONKEY WRENCH IS AN ADJUSTABLE WRENCH, WITH A FIXED JAW (HOOK JAW) AND A HEAL JAW (ADJUSTABLE JAW). ITS EARLY DESIGN STEMS FROM THE REQUIREMENTS OF COACH BUILDERS, IN THE DAYS OF HORSE DRAWN CARRIAGES. IT IS USED TO TURN NUTS AND BOLTS, AND IS UTILISED BY A RANGE OF TRADES INCLUDING PLUMBERS AND BUILDERS. ITS UNUSUAL NAME COMES FROM THE SHAPE OF JAWS, WHICH IT WAS SAID IN THE NINETEENTH CENTURY, RESEMBLED A MONKEY'S FACE. THE TWO MAIN TYPES ARE SHOWN BELOW. THEY ARE STILL IN USE TODAY, ALTHOUGH MORE MODERN WRENCHES, SUCH AS THE STILLSON AND MODERN ADJUSTABLE WRENCH ARE MORE POPULAR.

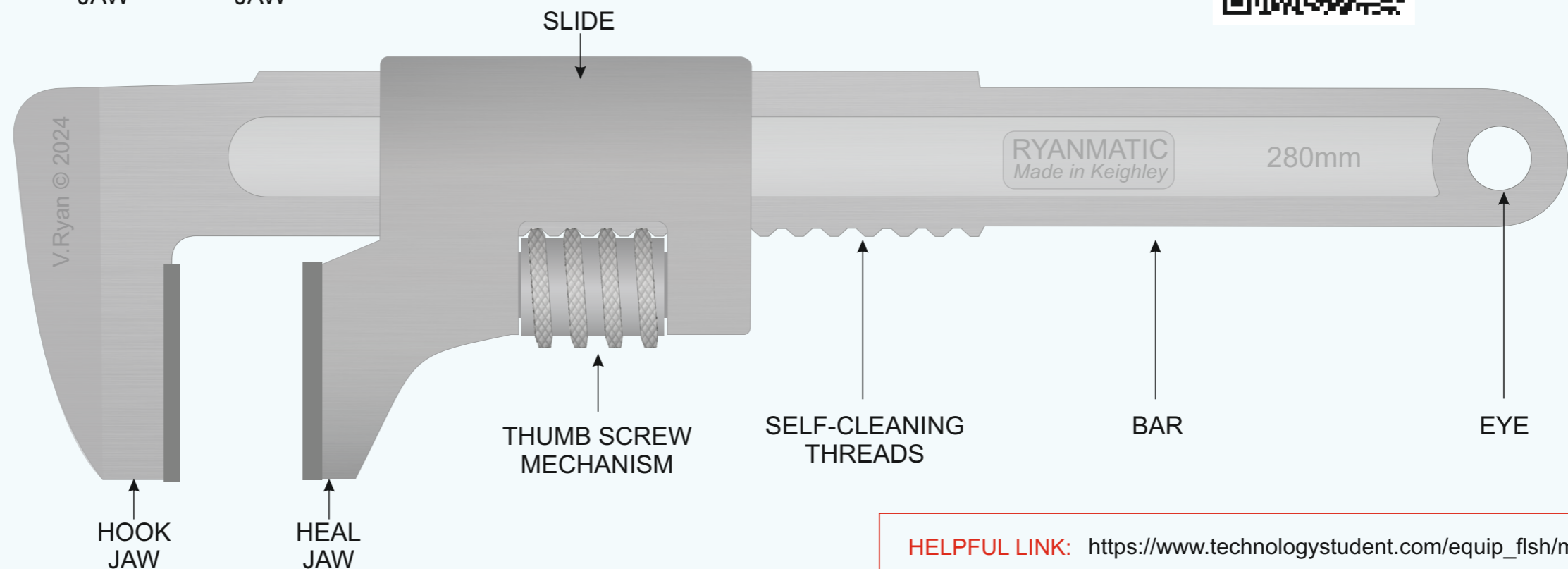
THE JAWS OF THIS EARLY VERSION MONKEY WRENCH, ARE ADJUSTED BY TURNING THE ADJUSTMENT NUT, WHICH MOVES THE FLOATING JAW ALONG THE BAR.



HELPFUL LINK



THE JAWS OF THIS MODERN VERSION OF THE MONKEY WRENCH, ARE ADJUSTED BY TURNING THE THUMB SCREW MECHANISM, WHICH MOVES THE HEAL JAW ALONG THE BAR.



HELPFUL LINK: https://www.technologystudent.com/equip_fish/monkeyw1.html