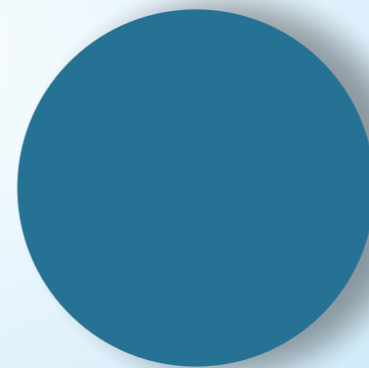


MORE TOOLS

WORLD ASSOCIATION OF TECHNOLOGY TEACHERS <https://www.facebook.com/groups/254963448192823/> www.technologystudent.com © 2024 V.Ryan © 2024

TO ANSWER ALL THE QUESTIONS YOU WILL NEED TO
DOWNLOAD THE “MORE TOOLS” APP, FROM THE
INTERACTIVE MOBILE APP SECTION OF
www.technologystudent.com

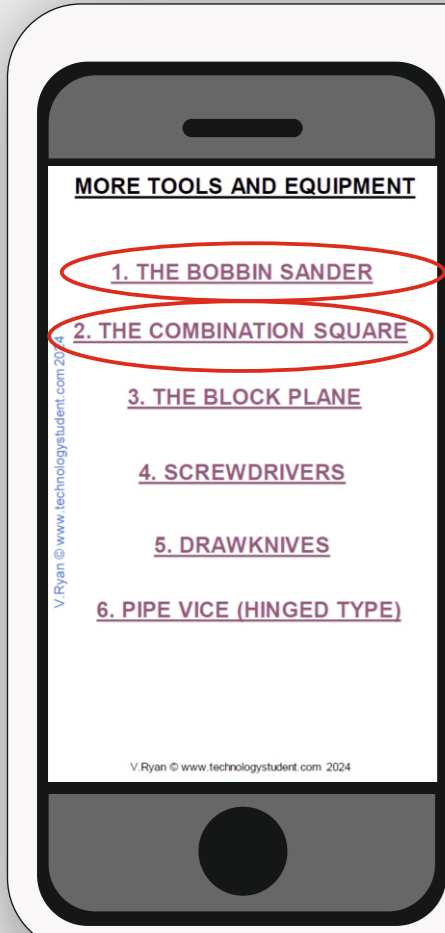
**CLICK ON THE
BUTTON
TO DOWNLOAD
THE APP**



Once you have downloaded the App, you can use it to navigate the website. You may need to follow the links on each page of the App, to research / complete answers to all the questions.

IF YOU ARE AN EDUCATOR, CONSIDER JOINING US AT FACEBOOK – WORLD ASSOCIATION OF TECHNOLOGY TEACHERS

<https://www.facebook.com/groups/254963448192823/>



THE BOBBIN SANDER COMBINATION SQUARE

TO ANSWER ALL THE QUESTIONS YOU WILL NEED TO DOWNLOAD THE 'MORE TOOLS' APP, FROM THE INTERACTIVE MOBILE APP SECTION OF www.technologystudent.com

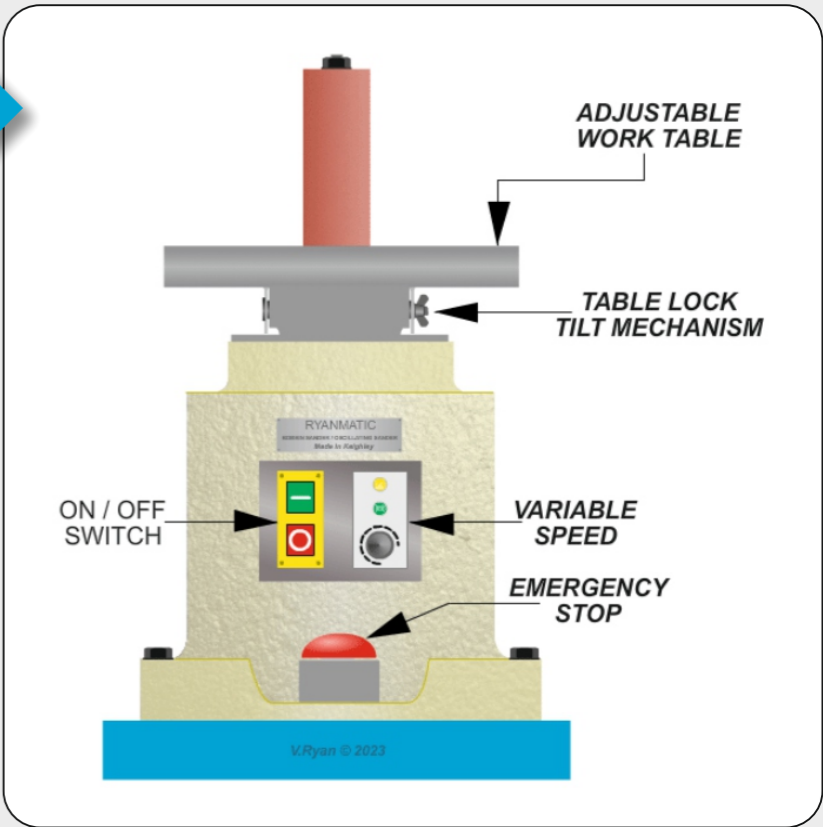
LINK

<https://technologystudent.com/mobapps/more-tools1.pdf>

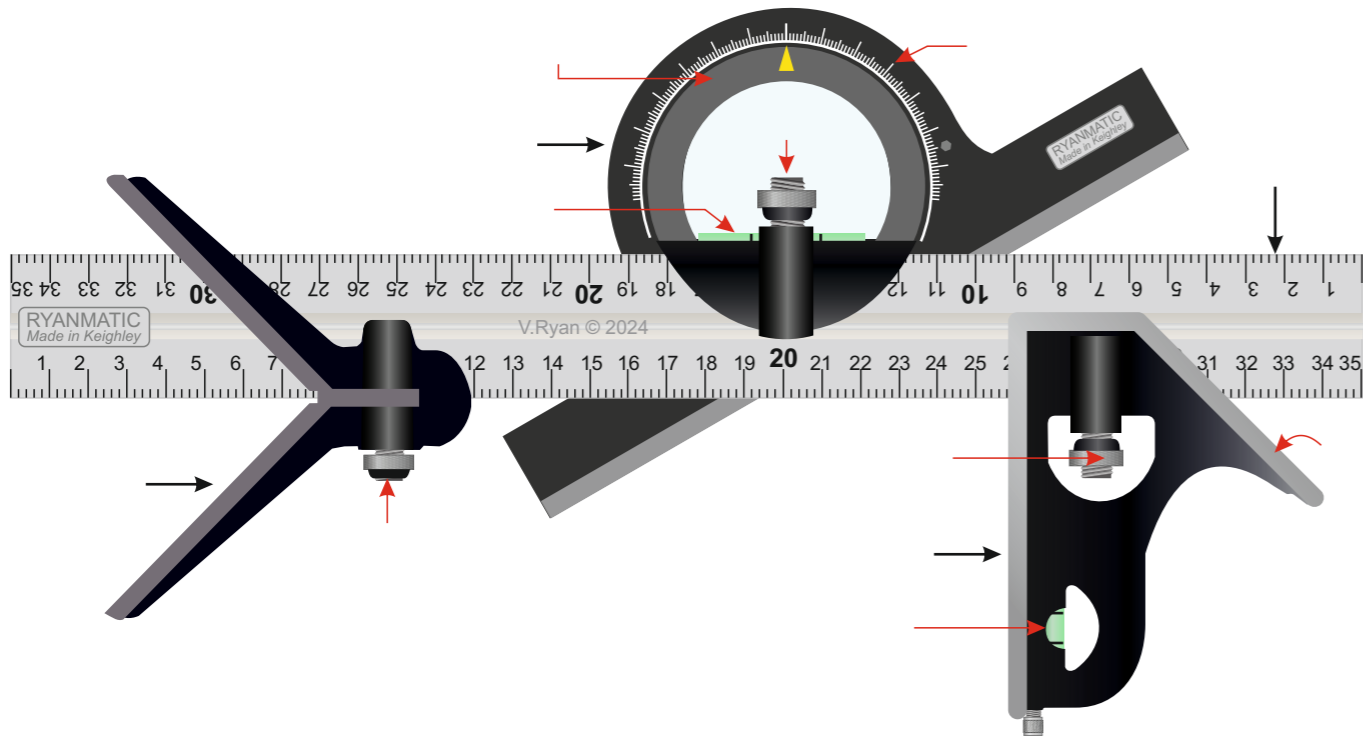
Once you have downloaded the App, you can use it to navigate the website. You may need to follow the links on each page of the App, to research / complete answers to all the questions.

**ARE YOU READY?
USE THE MOBILE App!!**

1 DESCRIBE THE GENERAL USE OF A BOBBIN SANDER.



2 NAME THE PARTS OF THE COMBINATION SQUARE, AS INDICATED BY THE ARROWS



3 DESCRIBE TWO USES OF THE COMBINATION SQUARE.

A.

<https://technologystudent.com/mobapps/more-tools1.pdf>



THE BLOCK PLANE

TO ANSWER ALL THE QUESTIONS YOU WILL NEED TO DOWNLOAD THE 'MORE TOOLS' APP, FROM THE INTERACTIVE MOBILE APP SECTION OF www.technologystudent.com

LINK

<https://technologystudent.com/mobapps/more-tools1.pdf>

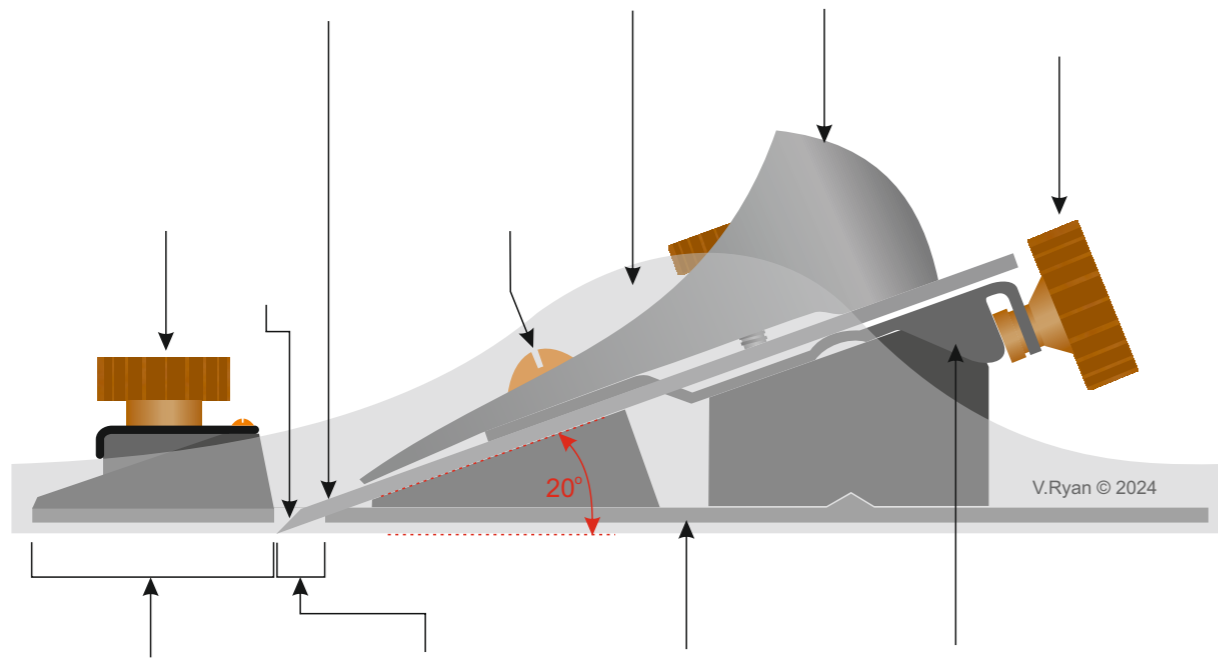
Once you have downloaded the App, you can use it to navigate the website. You may need to follow the links on each page of the App, to research / complete answers to all the questions.

**ARE YOU READY?
USE THE MOBILE App!!**

1 DESCRIBE THE GENERAL USE OF A BLOCK PLANE.



2 NAME THE PARTS OF THE BLOCK PLANE, AS INDICATED BY THE ARROWS



3 DESCRIBE TWO USES OF A BLOCK PLANE.

A.

B.

<https://technologystudent.com/mobapps/more-tools1.pdf>

SCREWDRIVERS

MORE TOOLS AND EQUIPMENT

1. THE BOBBIN SANDER

2. THE COMBINATION SQUARE

3. THE BLOCK PLANE

4. SCREWDRIVERS

5. DRAWKNIVES

6. PIPE VICE (HINGED TYPE)

TO ANSWER ALL THE QUESTIONS YOU WILL NEED TO DOWNLOAD THE 'MORE TOOLS' APP, FROM THE INTERACTIVE MOBILE APP SECTION OF www.technologystudent.com

LINK

<https://technologystudent.com/mobapps/more-tools1.pdf>

Once you have downloaded the App, you can use it to navigate the website. You may need to follow the links on each page of the App, to research / complete answers to all the questions.

**ARE YOU READY?
USE THE MOBILE App!!**

1

DESCRIBE A CABINET SCREWDRIVER AND ITS USES.



PASTE AN IMAGE / SKETCH A CABINET SCREWDRIVER. LABEL THE PARTS.

2

NAME THE SCREWDRIVER BELOW AND EXPLAIN ITS USES.



3

NAME TWO MORE SCREWDRIVERS AND EXPLAIN THE PURPOSE OF EACH ONE.

A. _____

B. _____

<https://technologystudent.com/mobapps/more-tools1.pdf>

THE DRAWKNIFE

MORE TOOLS AND EQUIPMENT

1. THE BOBBIN SANDER

2. THE COMBINATION SQUARE

3. THE BLOCK PLANE

4. SCREWDRIVERS

5. DRAWKNIVES

6. PIPE VICE (HINGED TYPE)

TO ANSWER ALL THE QUESTIONS YOU WILL NEED TO DOWNLOAD THE 'MORE TOOLS' APP, FROM THE INTERACTIVE MOBILE APP SECTION OF www.technologystudent.com

LINK

<https://technologystudent.com/mobapps/more-tools1.pdf>

Once you have downloaded the App, you can use it to navigate the website. You may need to follow the links on each page of the App, to research / complete answers to all the questions.

**ARE YOU READY?
USE THE MOBILE App!!**

1

WHAT IS A DRAWKNIFE?



NAME THREE TYPES OF DRAWKNIFE.

A. _____

B. _____

C. _____

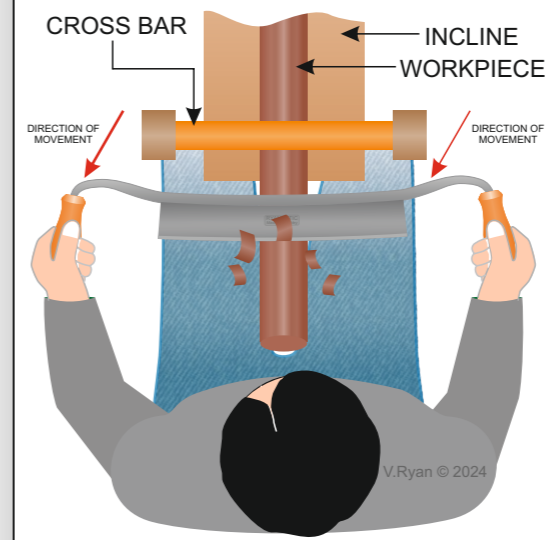
2

BELOW, DRAW A LABELLED DIAGRAM OF A TYPICAL DRAWKNIFE.

Include the name of the type you have drawn.

3

DESCRIBE HOW A DRAWKNIFE IS USED.



<https://technologystudent.com/mobapps/more-tools1.pdf>

THE PIPE VICE

TO ANSWER ALL THE QUESTIONS YOU WILL NEED TO DOWNLOAD THE 'MORE TOOLS' APP, FROM THE INTERACTIVE MOBILE APP SECTION OF www.technologystudent.com

LINK

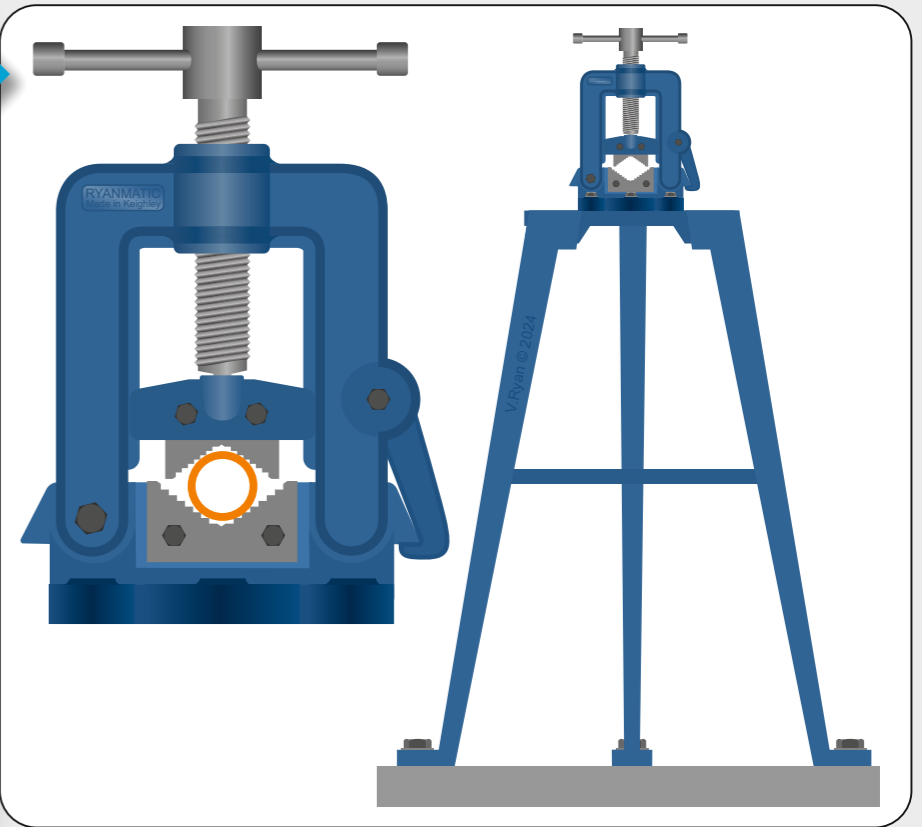
<https://technologystudent.com/mobapps/more-tools1.pdf>

Once you have downloaded the App, you can use it to navigate the website. You may need to follow the links on each page of the App, to research / complete answers to all the questions.

**ARE YOU READY?
USE THE MOBILE App!!**

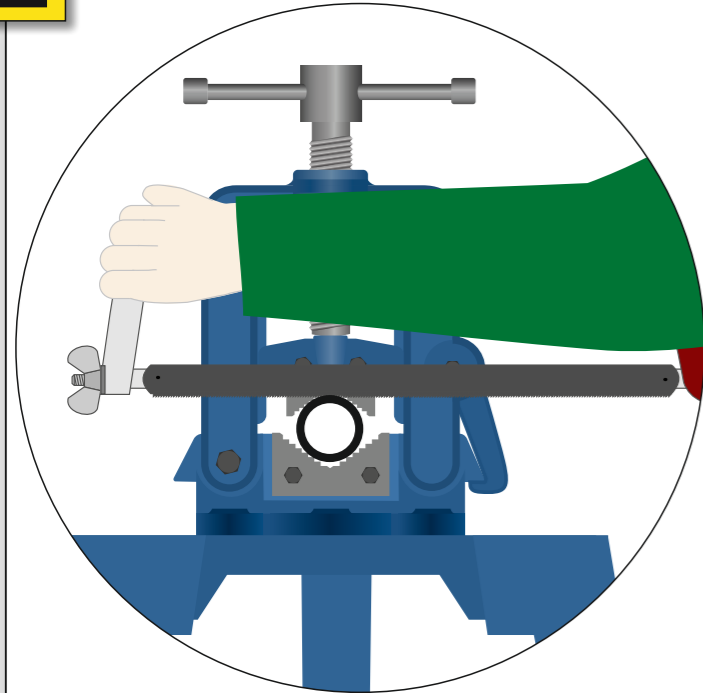
1

WHAT IS A PIPE VICE?



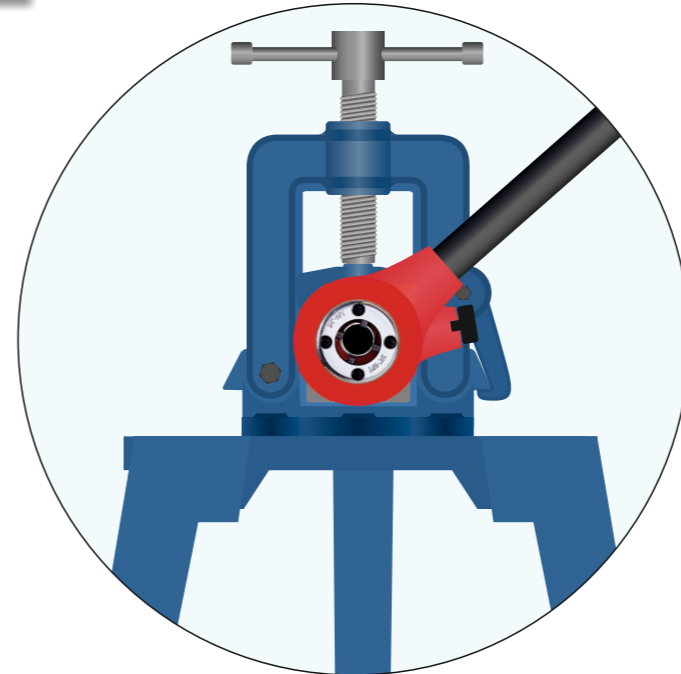
2

DESCRIBE WHAT IS HAPPENING, AS SHOWN BY THIS DIAGRAM.



3

DESCRIBE WHAT IS HAPPENING, AS SHOWN BY THIS DIAGRAM.



<https://technologystudent.com/mobapps/more-tools1.pdf>