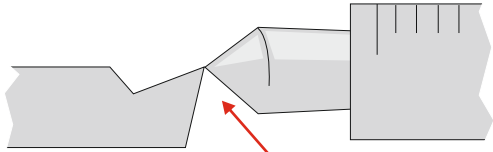


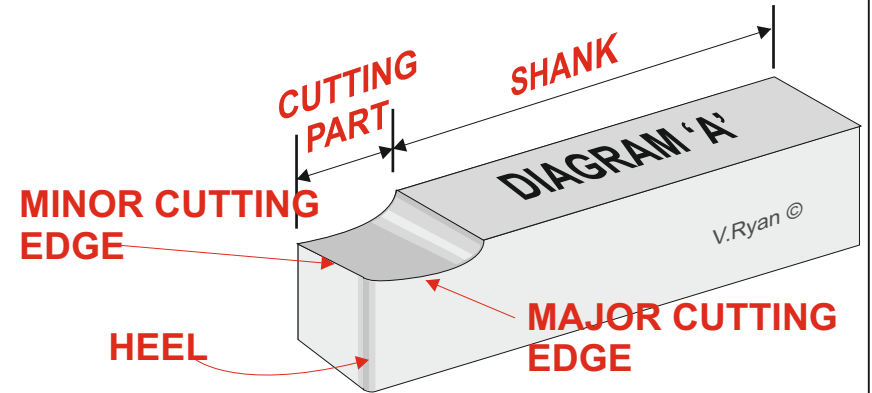
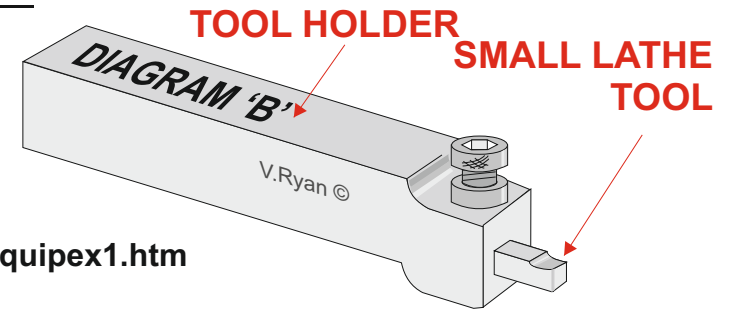
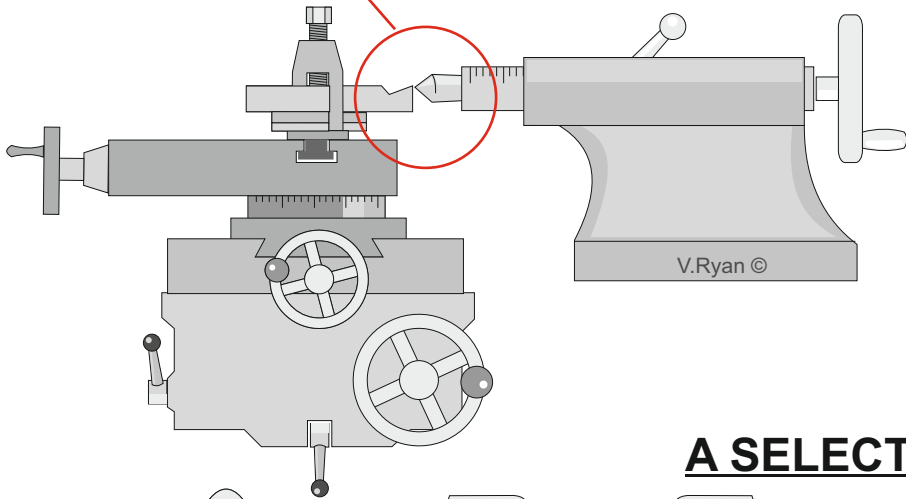
THE CENTRE LATHE

www.technologystudent.com ©

HOW TO CENTRE THE CUTTING TOOL



FOR MORE INFORMATION:
<http://www.technologystudent.com/equip1/equipex1.htm>



A SELECTION OF LATHE TOOLS

