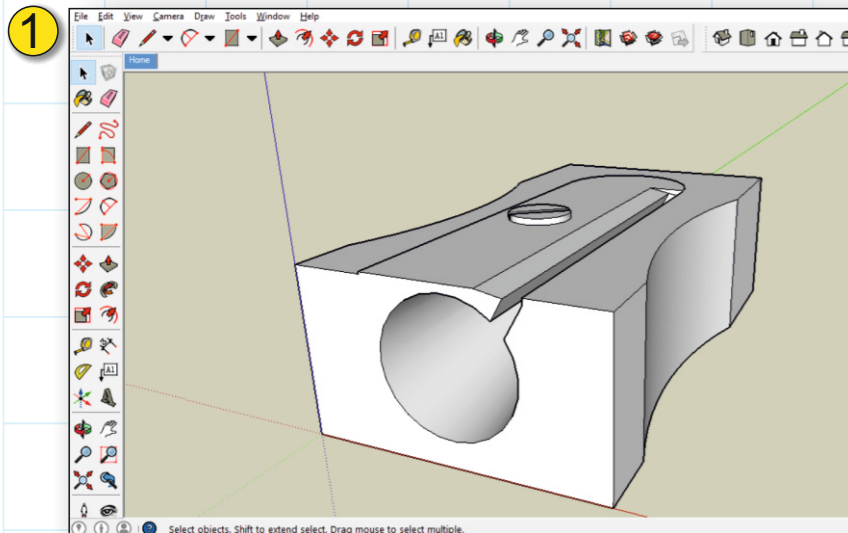
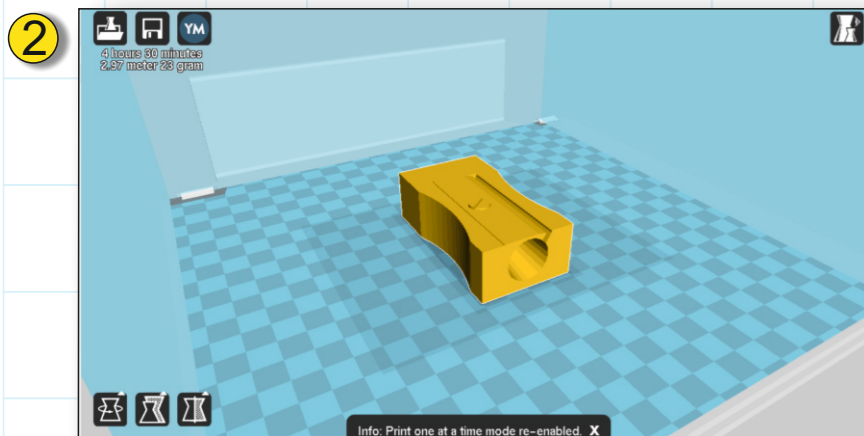


THE 3D PRINTER

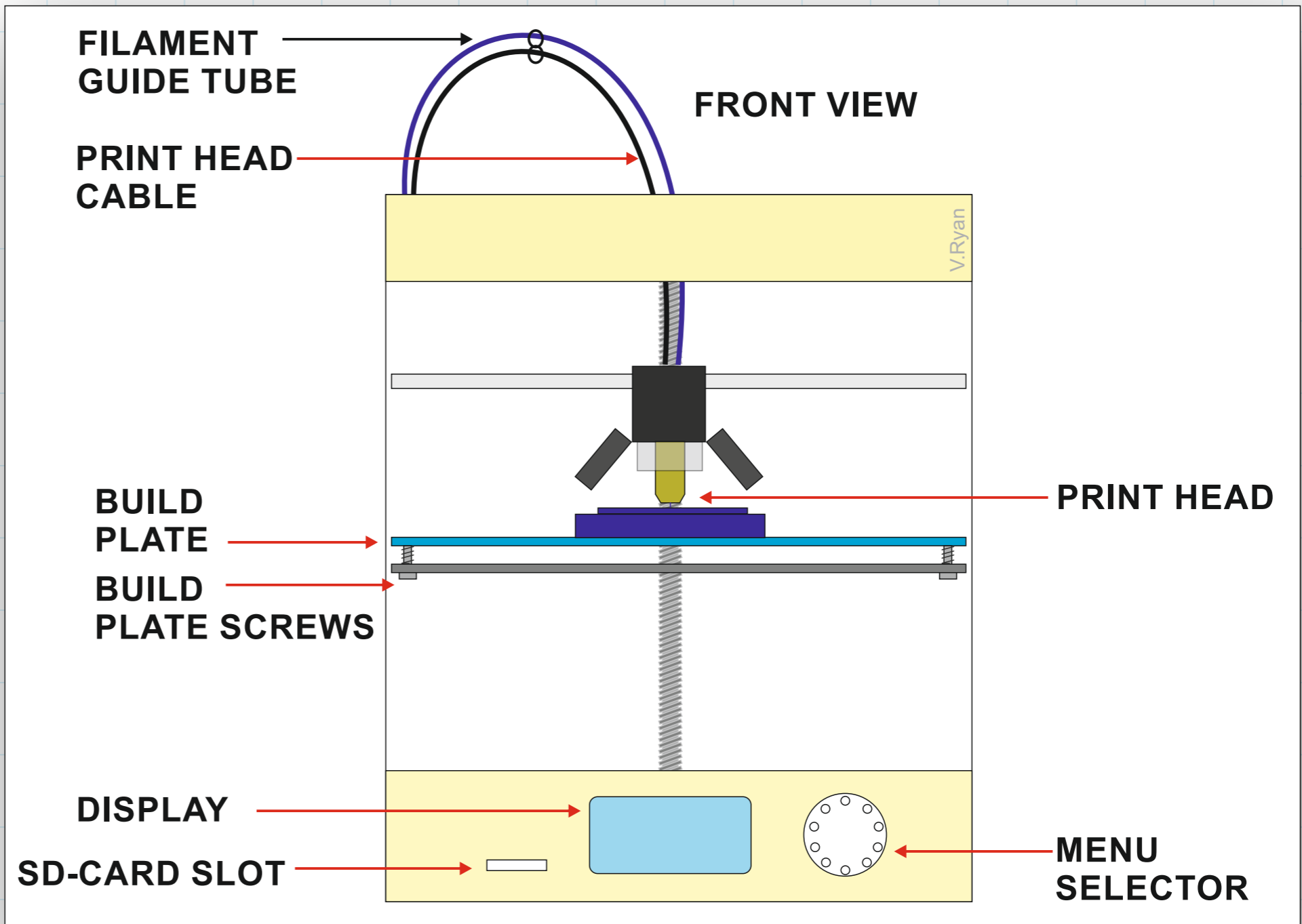
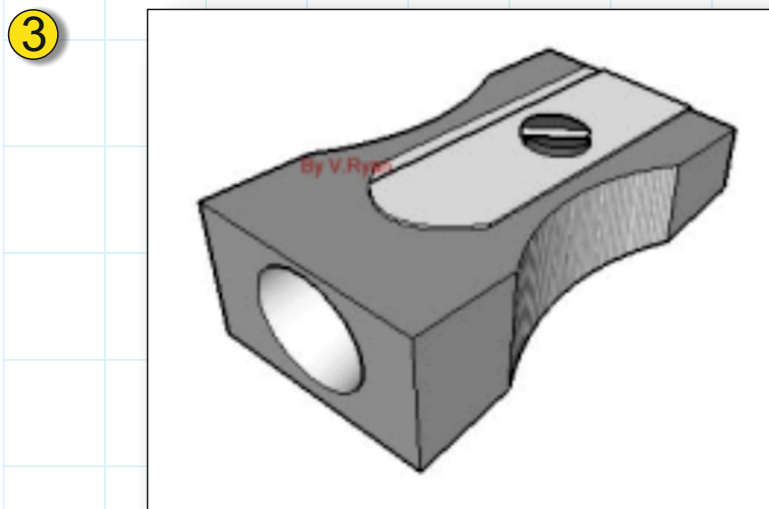
CAD - STL FILE



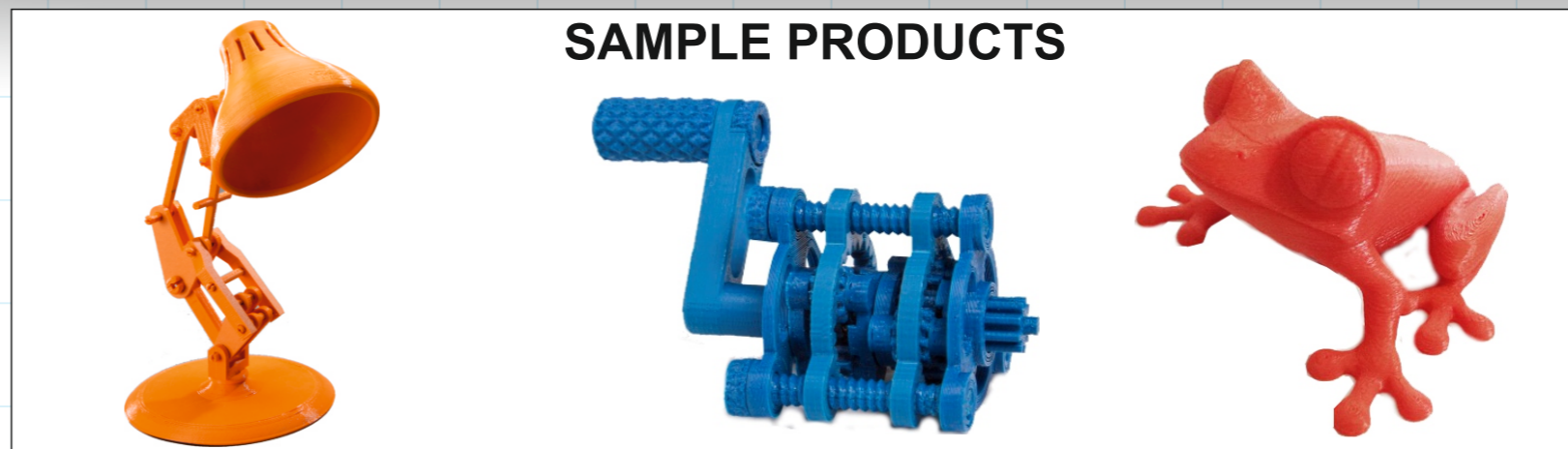
IMPORT TO 3D PRINTER



PROTOTYPE PRINTED



SAMPLE PRODUCTS



FOR MORE INFORMATION:
<http://www.technologystudent.com/cam/camex.htm>