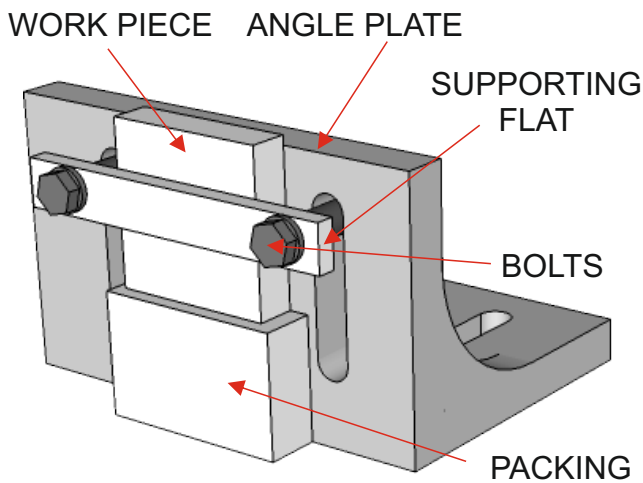


EXAMINATION QUESTIONS - ANGLE PLATES

HELPFUL LINKS:

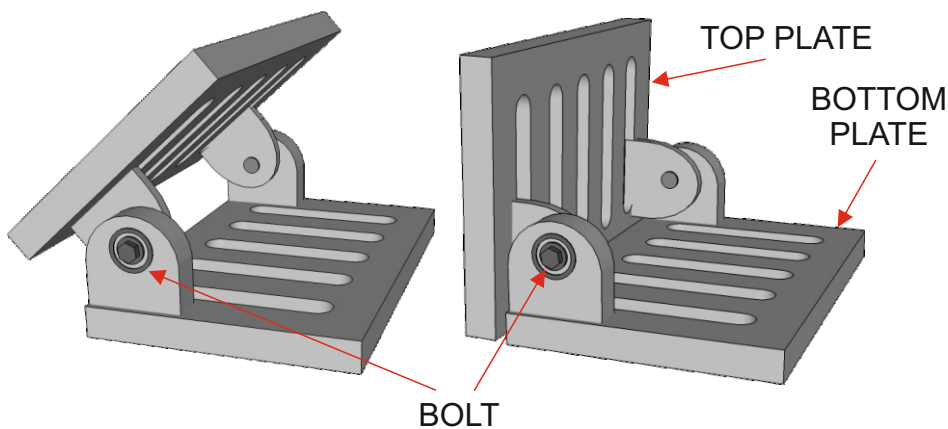
http://www.technologystudent.com/equip_flash/angleplate1.html

1. Briefly, what are angle plates and when are they used ? **3 marks**



2. A 'work piece' has been set up for a particular process. What is the process? Describe the reason for the arrangement opposite. **3 marks**

3. What is the full name for this set of angle plates? **1 mark**



4. When is the angle plate you named in question 3, useful ? **1 mark**
