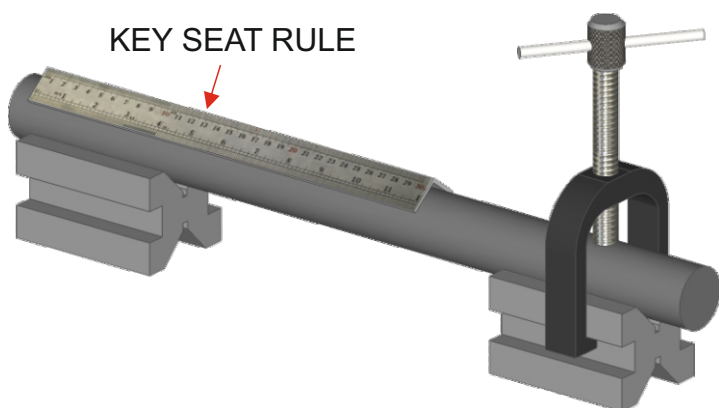


EXAMINATION QUESTIONS - CLAMPS, VEE BLOCKS

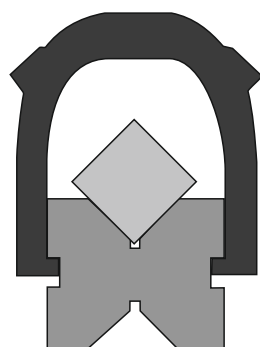
HELPFUL LINKS:

http://www.technologystudent.com/equip_fish/veeblock1.html

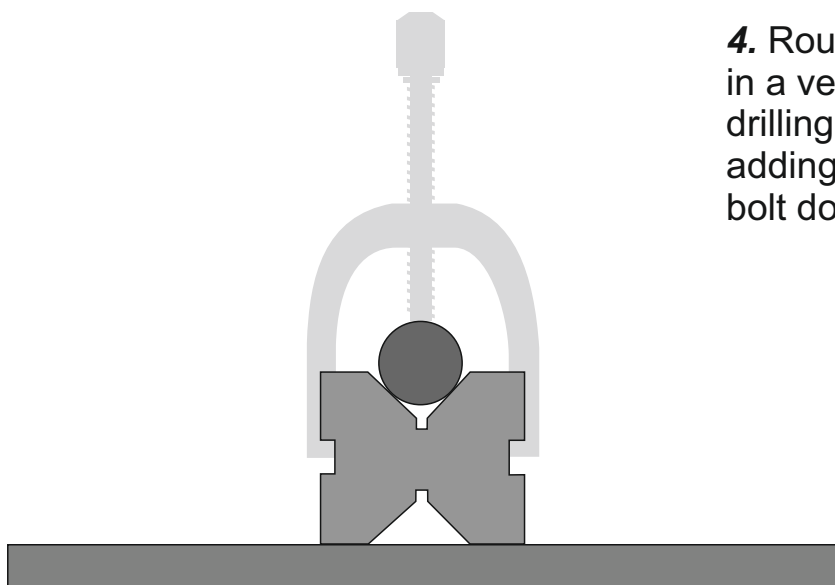
1. Briefly, what are clamps and vee blocks used for ? **3 marks**



2. What is happening in the image shown opposite. **2 marks**



3. Square section material is to be clamped in the vee block. Complete the sketch by adding the missing parts. **2 marks**



4. Round section steel has been clamped in a vee block, ready for drilling, on a drilling machine. Complete the diagram by adding the additional clamps required to bolt down the vee block. **4 marks**