

# THE PRECISION HAND MITRE SAW - EXAMINATION QUESTIONS

HELPFUL LINK: [https://technologystudent.com/equip\\_flash/mitres1.html](https://technologystudent.com/equip_flash/mitres1.html)

1. Briefly describe the function / purpose of the Precision Hand Mitre Saw. **4 marks**

---

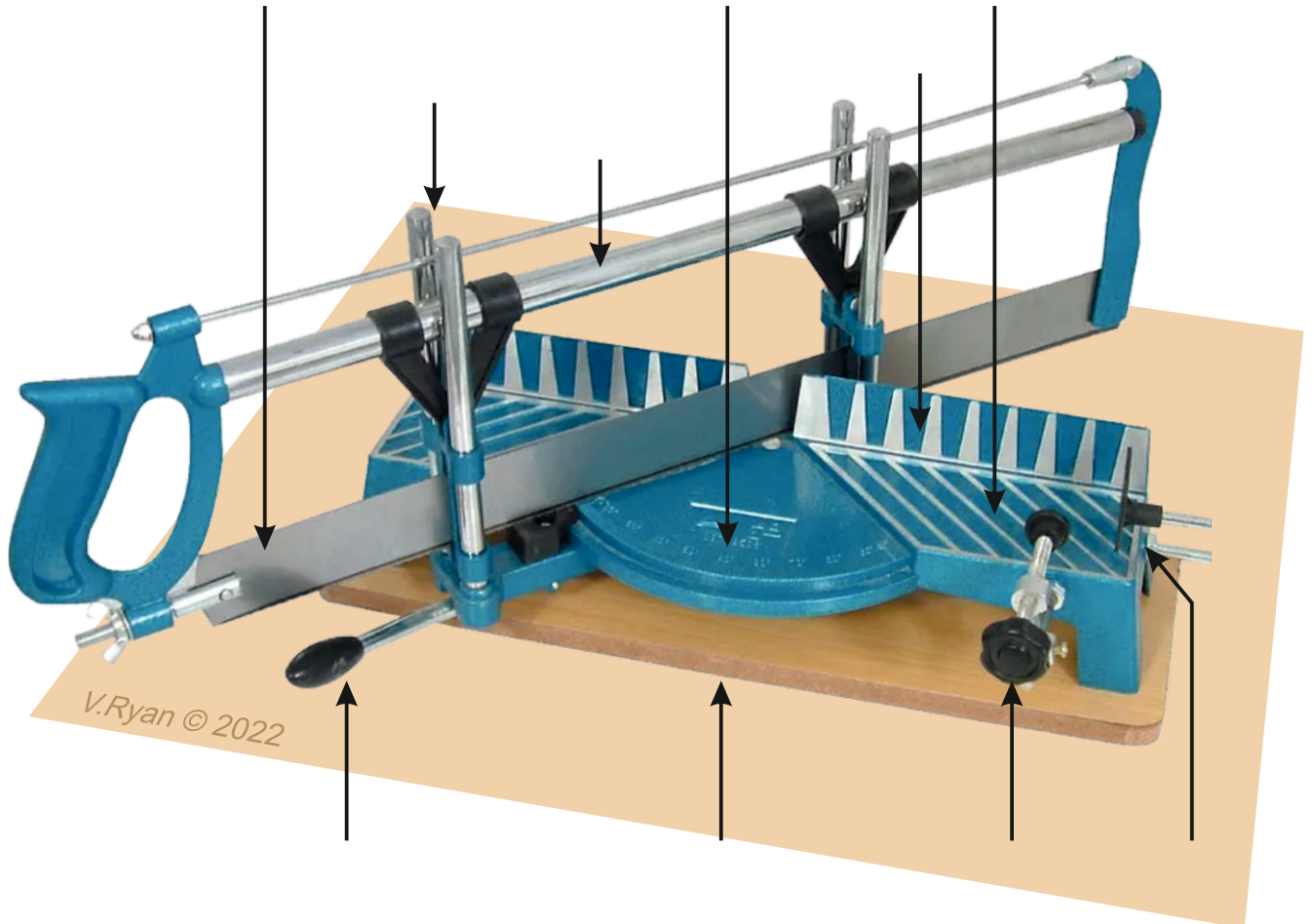
---

---

---

---

2. Label the parts of the mitre saw, identified by the arrows. **8 marks**



# THE PRECISION HAND MITRE SAW - EXAMINATION QUESTIONS

HELPFUL LINK: [https://technologystudent.com/equip\\_flesh/mitres1.html](https://technologystudent.com/equip_flesh/mitres1.html)

3. Briefly describe how the Precision Hand Mitre Saw is used. Make reference to the diagram below, to support your answer. **6 marks**

---

---

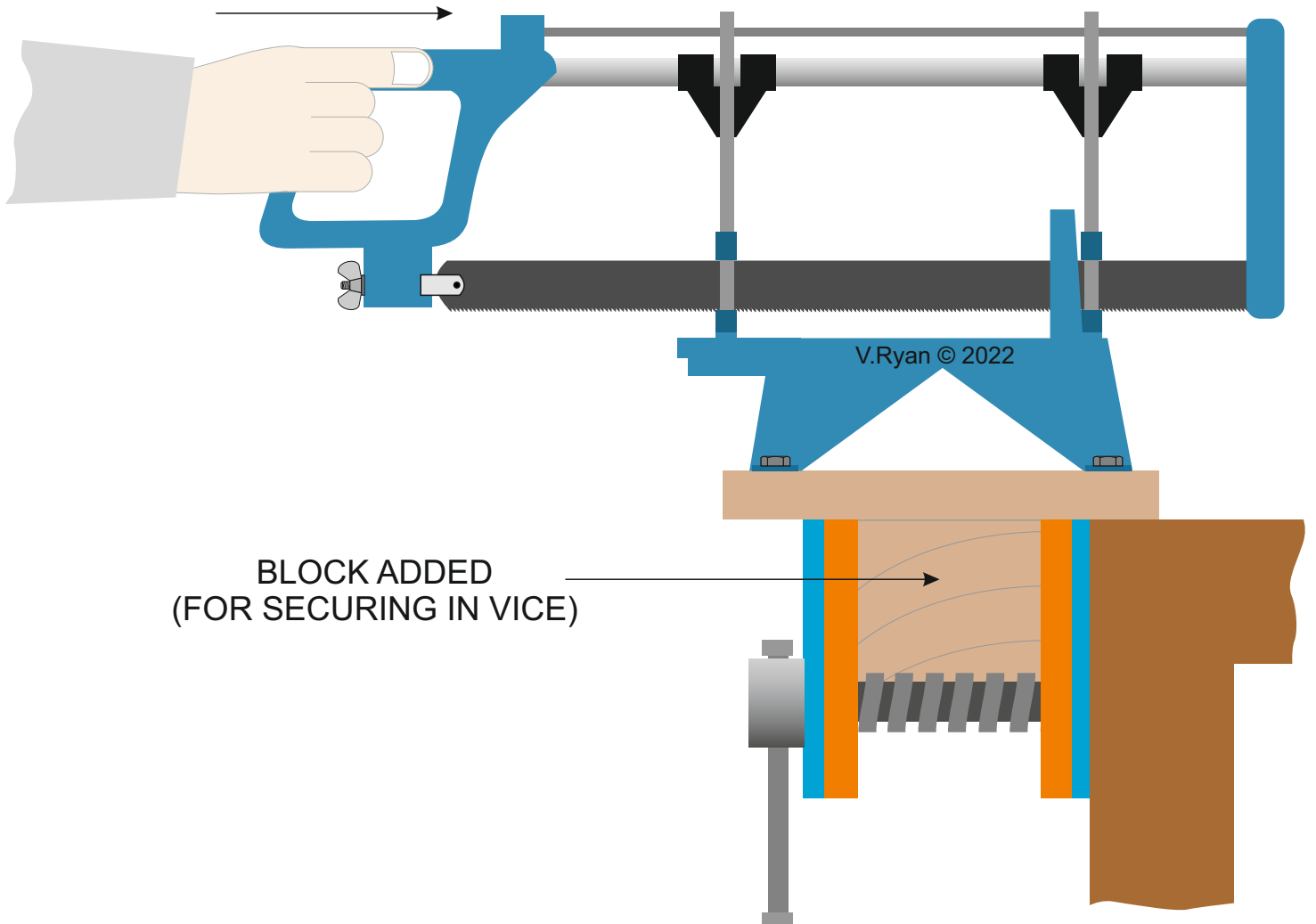
---

---

---

---

INDEX FINGER POINTING  
DOWN THE FRAME



BLOCK ADDED  
(FOR SECURING IN VICE)