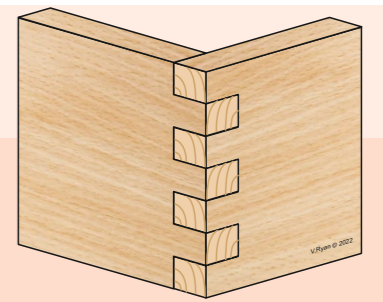
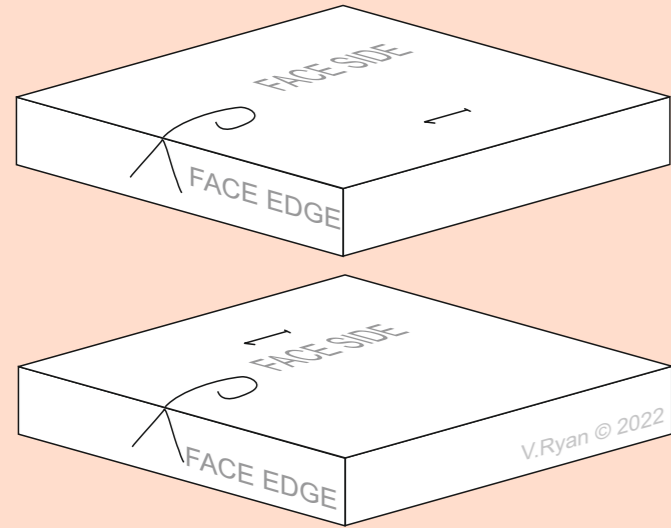


MARKING OUT AND CUTTING - FINGER / COMB JOINT



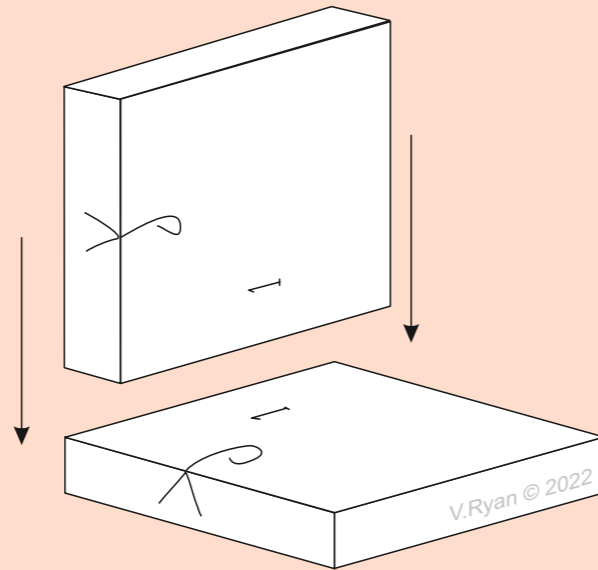
Dia. A

MARK THE 'FACE SIDE' AND 'FACE EDGE' ON BOTH PIECES OF WOOD. THESE ARE THE EDGES YOU WILL WORK FROM, WHEN MARKING OUT THE JOINT. MARK '1' ON EACH PIECE, AS SHOWN BELOW.

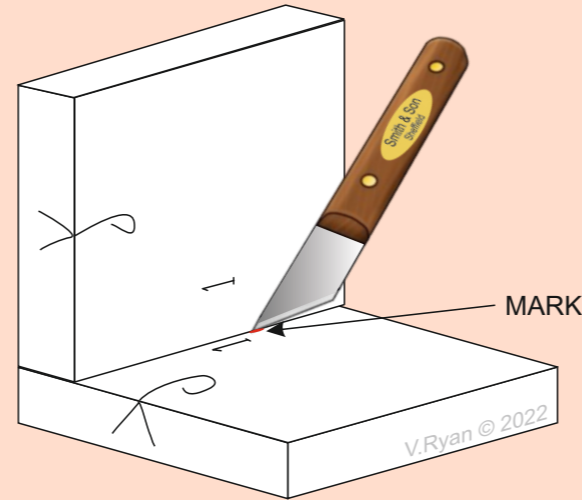


Dia. B

ALIGN THE TWO PIECES. ENSURE THAT THE NUMBERS ARE NEXT TO EACH OTHER AND THE 'FACE EDGES' LINE UP.

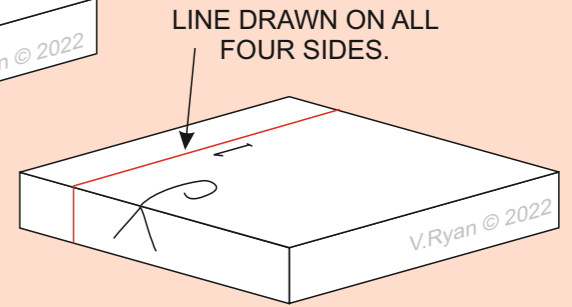


USE A MARKING KNIFE TO 'MARK' THE THICKNESS OF THE TOP ON THE BOTTOM PIECE.



Dia. C

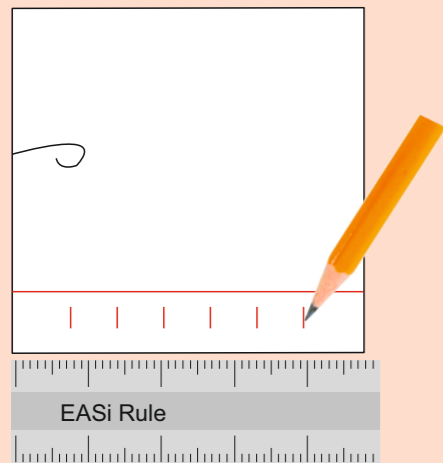
USE A TRY SQUARE AND MARKING KNIFE TO DRAW A LINE AROUND THE WOOD (ALL FOUR SIDES), STARTING AT THE 'MARK'. PLACE THE STOCK OF THE TRY SQUARE AGAINST THE 'FACE EDGE'.



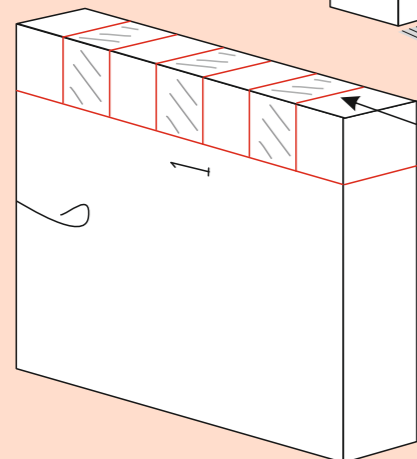
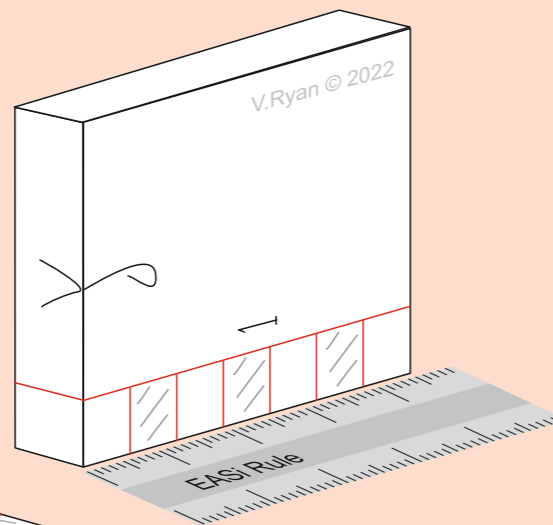
DO EXACTLY THE SAME ON THE SECOND PIECE.

Dia. D

DIVIDE THE END OF ONE PIECE INTO SIX EQUAL DIVISIONS.



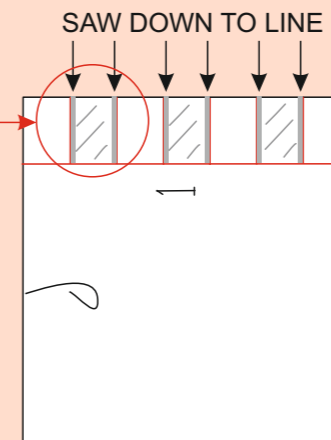
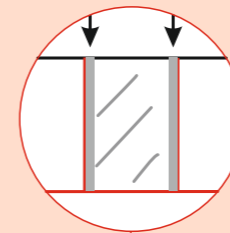
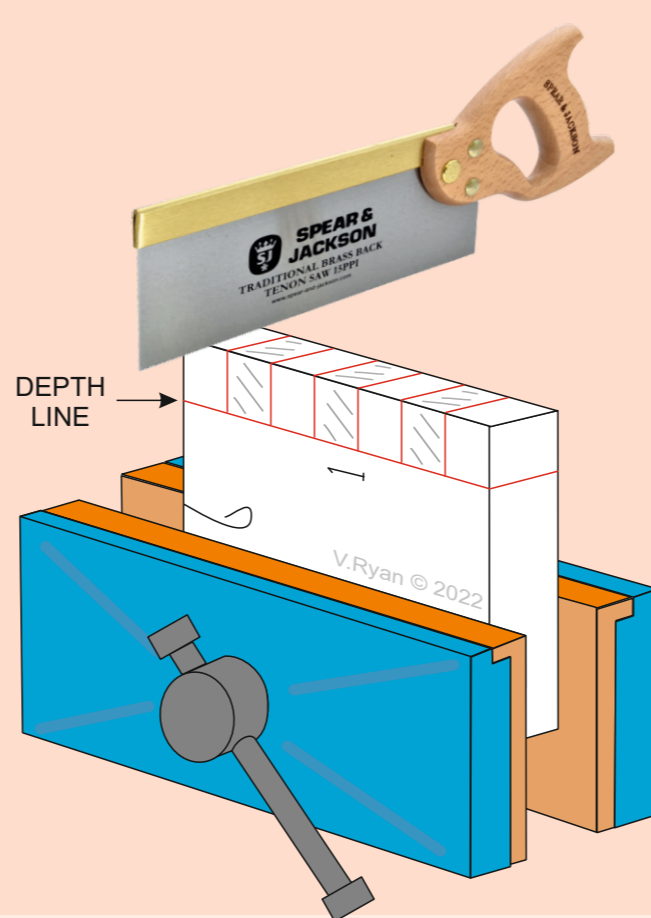
USE A TRY SQUARE AND PENCIL or MARKING GAUGE, TO MARK ON THE 'FINGERS'. SHADE THE AREAS TO BE REMOVED.



MARK THE LINES ACROSS THE TOP AND DOWN THE OTHER SIDE

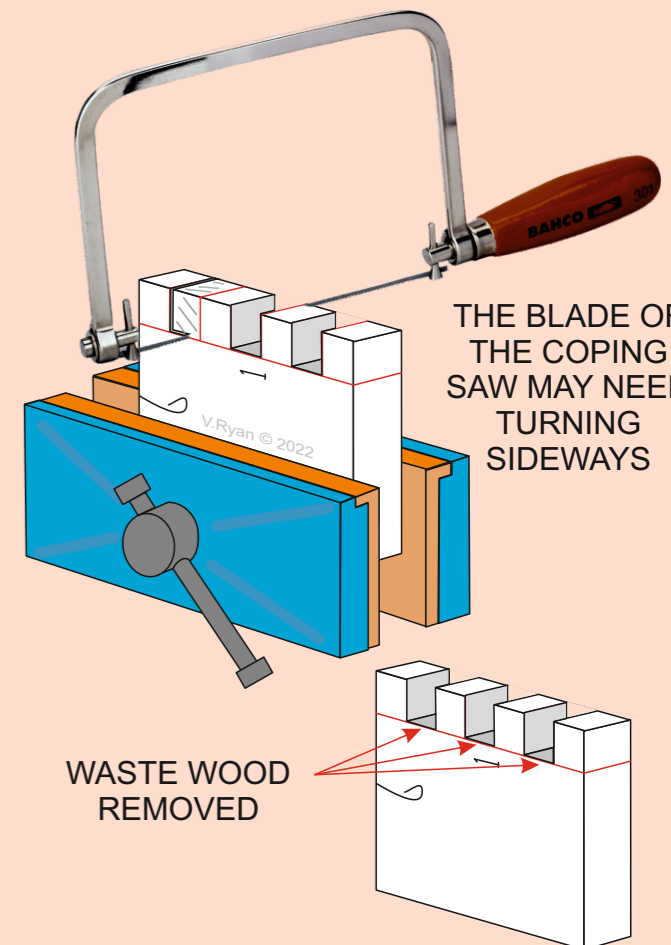
Dia. E

SAW DOWN TO THE DEPTH LINE. TAKE CARE TO SAW ON THE 'WASTE WOOD' SIDE OF THE LINES.



Dia. F

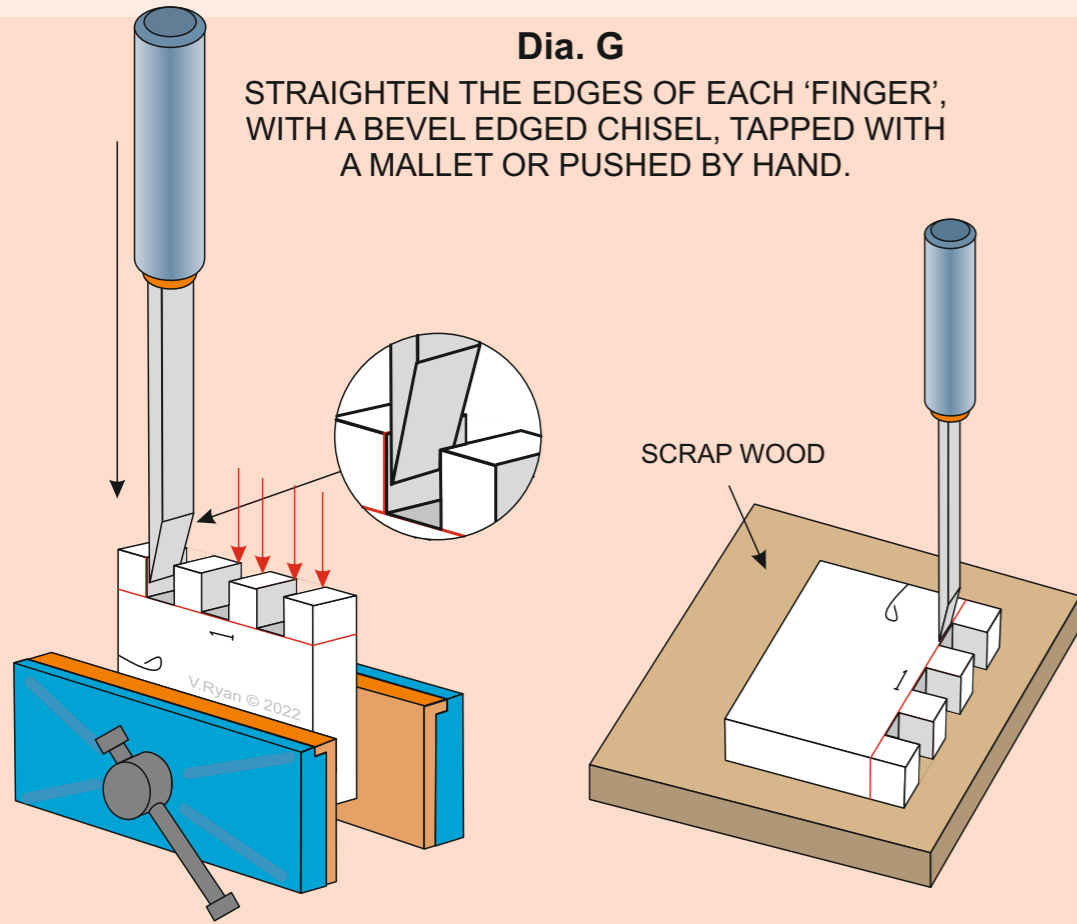
USE A COPING SAW TO REMOVE THE WASTE WOOD, CUTTING ALONG THE DEPTH LINE OF EACH 'FINGER'.



MARKING OUT AND CUTTING - FINGER / COMB JOINT

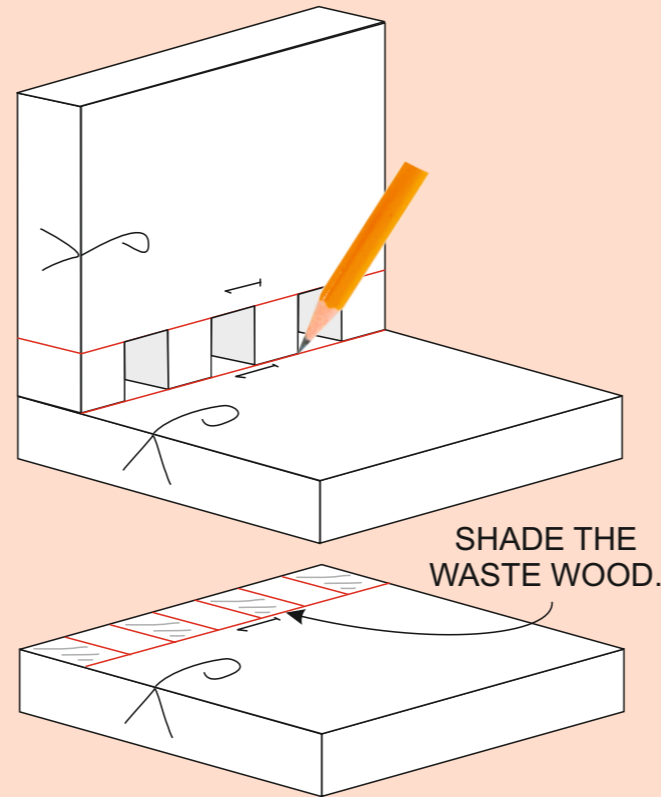
Dia. G

STRAIGHTEN THE EDGES OF EACH 'FINGER', WITH A BEVEL EDGED CHISEL, TAPPED WITH A Mallet OR PUSHED BY HAND.



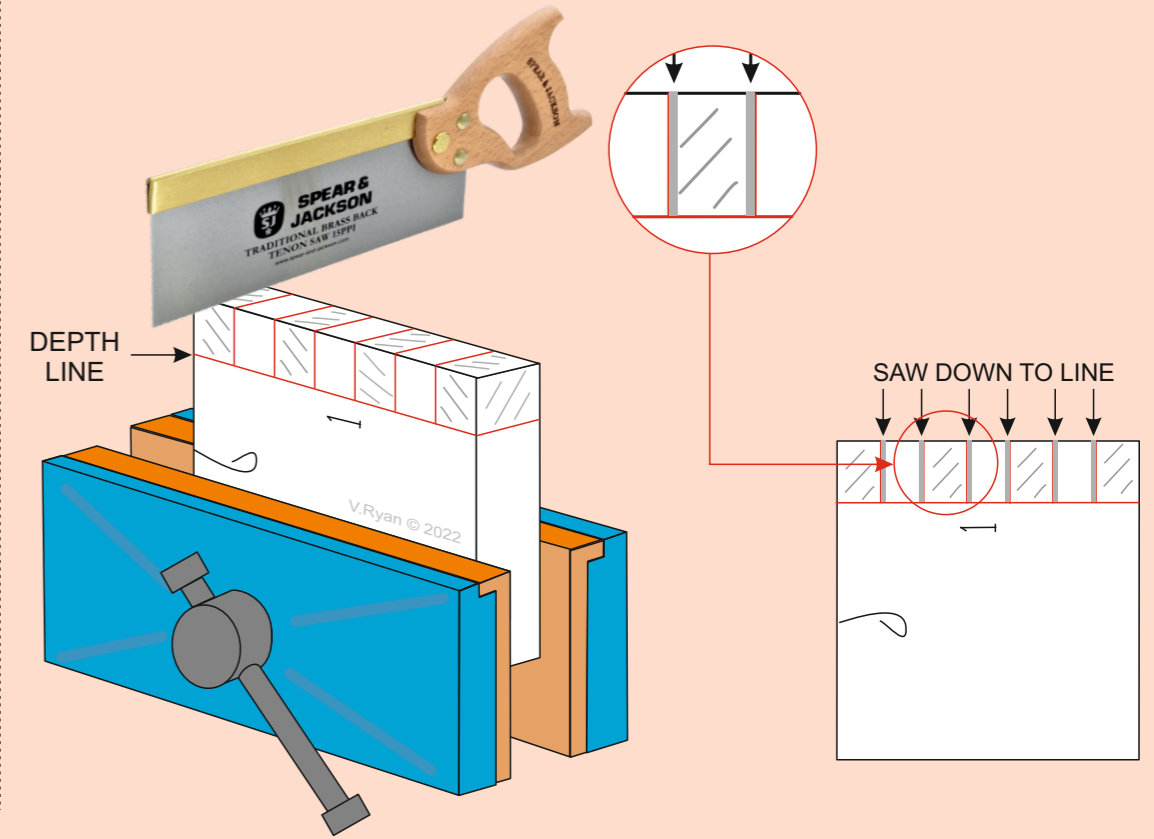
Dia. H

TAKE THE COMPLETED SET OF FINGERS AND PLACE THEM ON THE **SECOND PIECE**. USE A SHARP PENCIL TO MARK THE NEXT SET OF FINGERS.



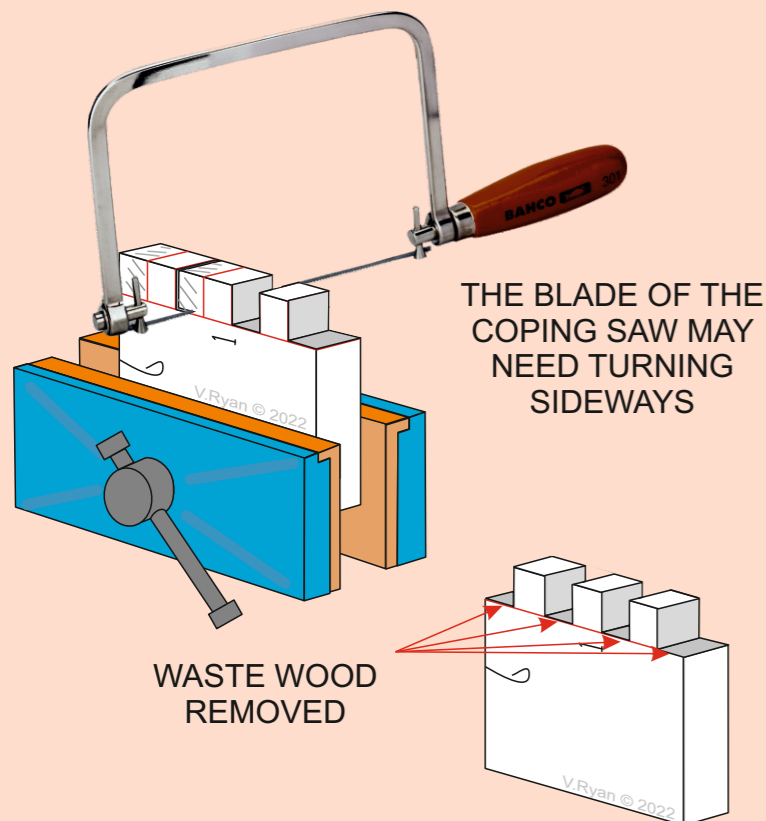
Dia. I

SAW DOWN TO THE DEPTH LINE. TAKE CARE TO SAW ON THE 'WASTE WOOD' SIDE OF THE LINES.



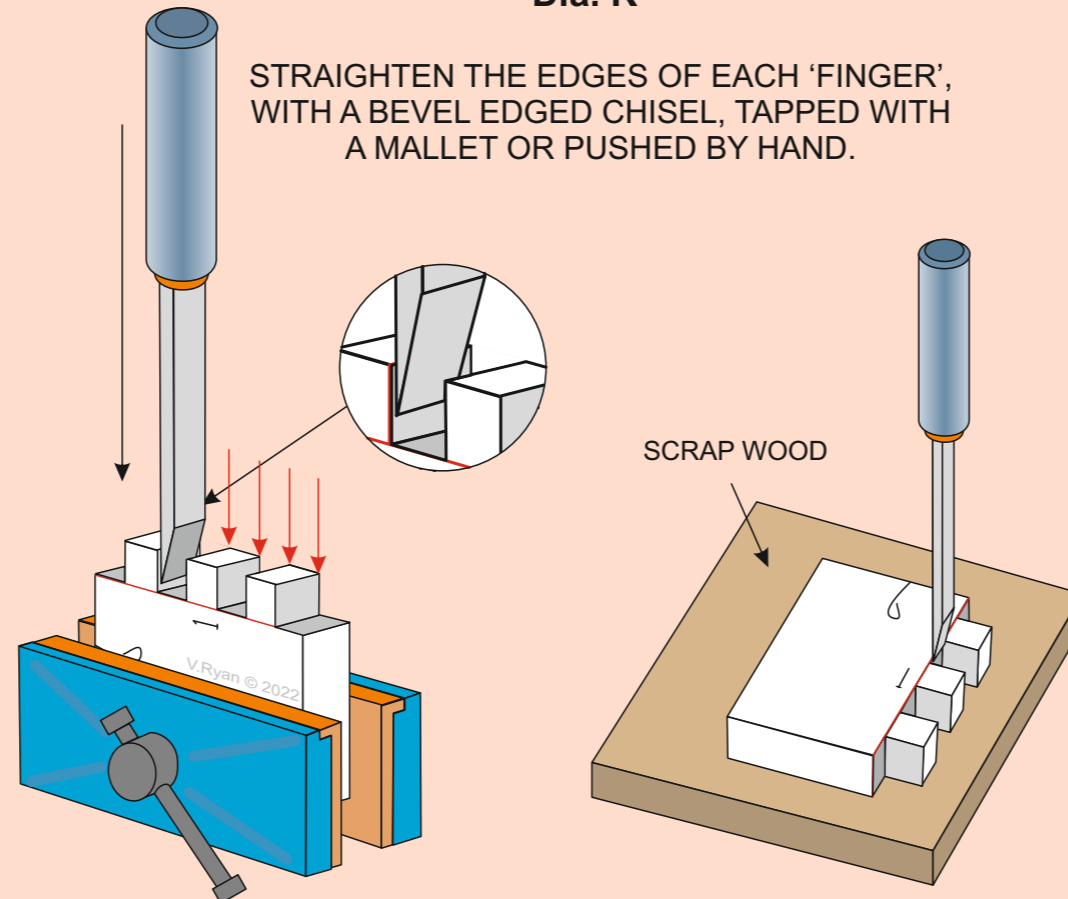
Dia. J

USE A COPING SAW TO REMOVE THE WASTE WOOD, CUTTING ALONG THE DEPTH LINE OF EACH 'FINGER'.



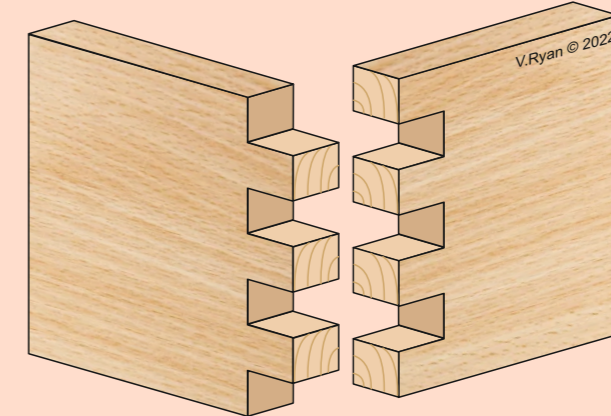
Dia. K

STRAIGHTEN THE EDGES OF EACH 'FINGER', WITH A BEVEL EDGED CHISEL, TAPPED WITH A Mallet OR PUSHED BY HAND.



Dia. L

FINGER / COMB JOINT - EXPLODED VIEW



FIT THE TWO PARTS OF THE JOINT TOGETHER AND TEST FOR A GOOD 'WOODWORKING JOINT'.

FINGER / COMB JOINT - ASSEMBLED VIEW

