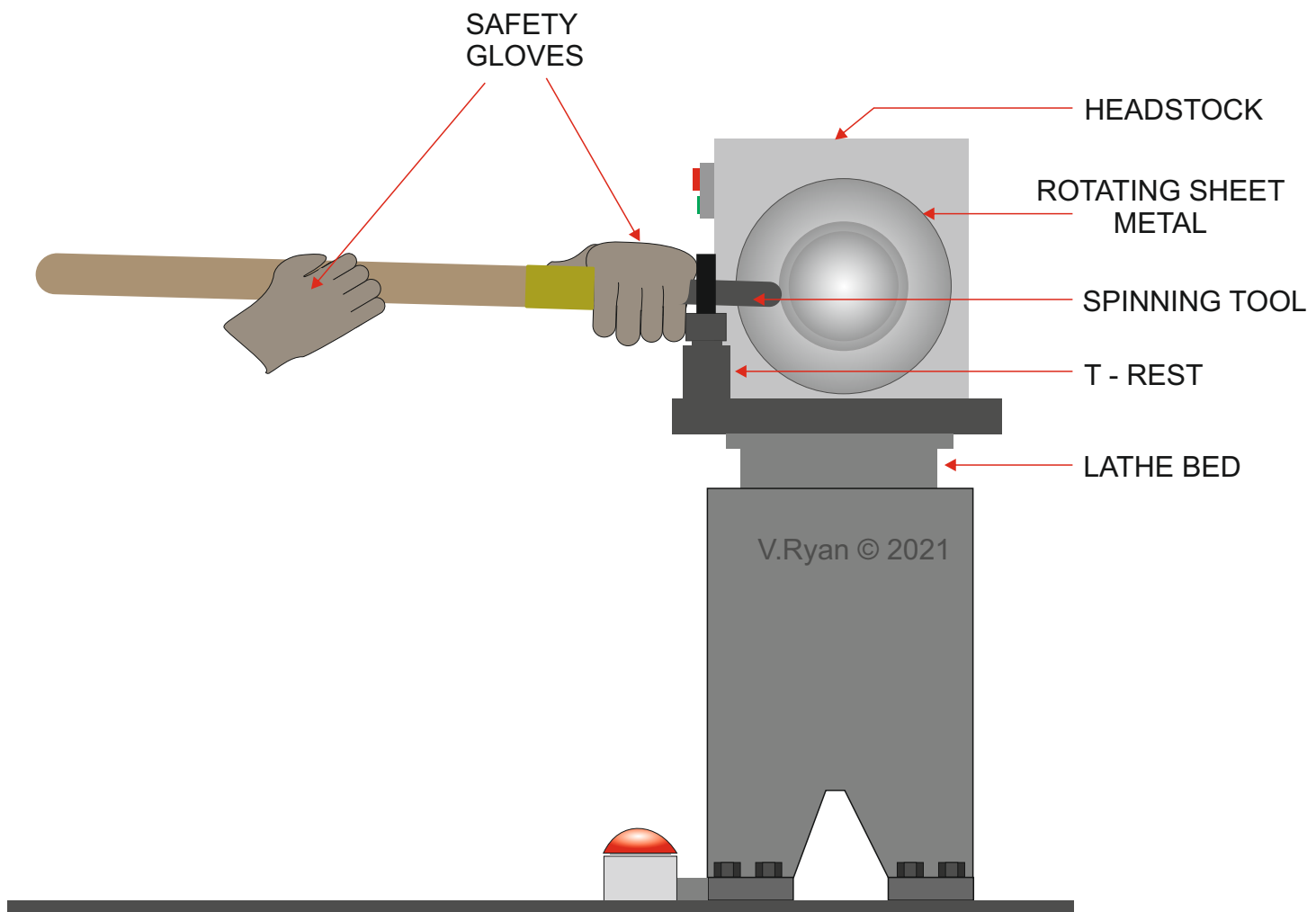


THE METAL SPINNING TECHNIQUE

HELPFUL LINK: https://technologystudent.com/equip_flash/spinning3.html

1. Describe how the machine operator stands and positions his / her hands, in readiness for metal spinning. Complete the diagram below, by sketching the outline of the machine operator. **8 marks**



THE METAL SPINNING TECHNIQUE - CONTINUED

HELPFUL LINK: https://technologystudent.com/equip_flash/spinning3.html

2. Describe the motion / movement of the machine operator, when spinning metal. You can make reference to the diagram below and add notes to it, in support of your written answer.

4 marks

