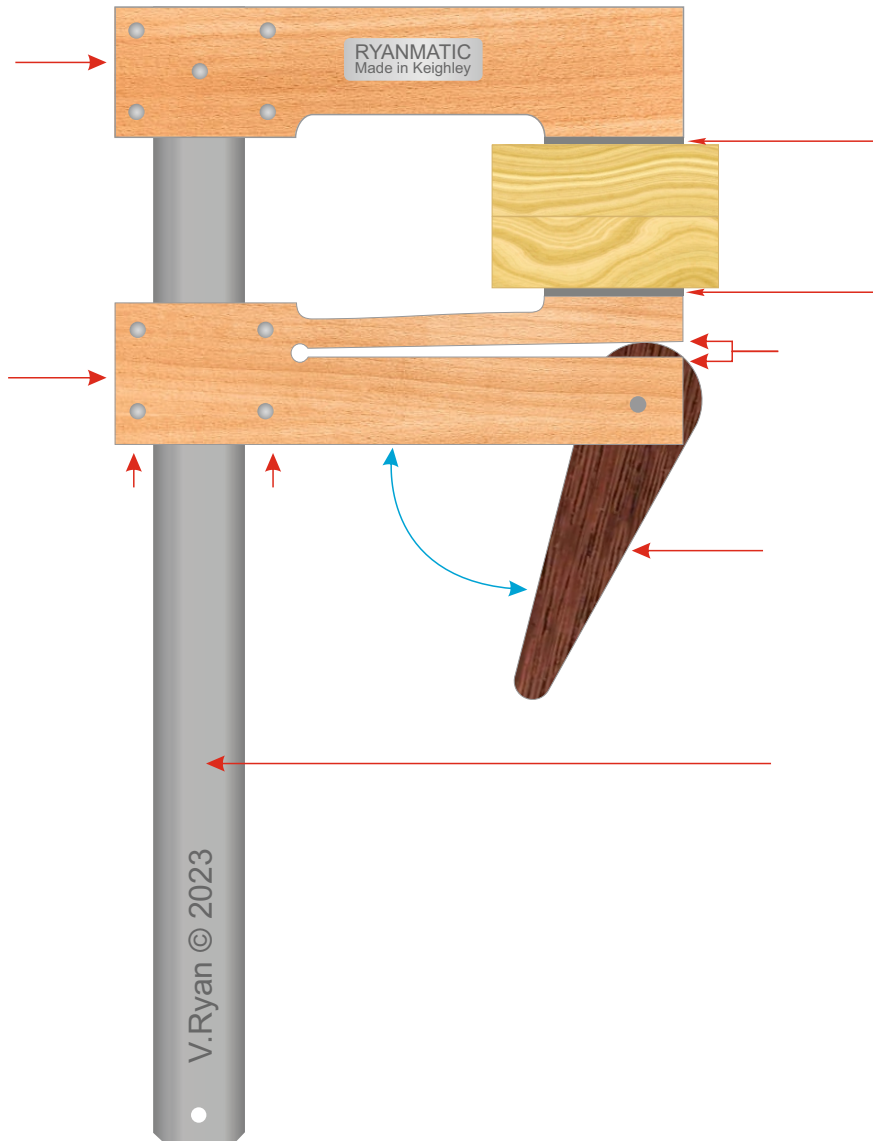


THE CAM CLAMP - EXAMINATION QUESTIONS

HELPFUL LINK: https://www.technologystudent.com/equip_flesh/camclamp1.html

1. Complete the diagram of the Cam Clamp, by adding the labels indicated by the arrows.
7 marks



2. Explain how the cam clamp is used. **5 marks** (You can support your explanation with a sketch on the back of this sheet)
