

TOLERANCE - EXAMINATION QUESTION

V.Ryan © 2000 - 2011

On behalf of The World Association of Technology Teachers

W.A.T.T.



World Association of Technology Teachers

This exercise can be printed and used by teachers and students. It is recommended that you view the website (www.technologystudent.com) before attempting the design sheet .

THESE MATERIALS CAN BE PRINTED AND USED BY TEACHERS AND STUDENTS.
THEY MUST NOT BE EDITED IN ANY WAY OR PLACED ON ANY OTHER MEDIA INCLUDING WEB SITES AND INTRANETS.
NOT FOR COMMERCIAL USE.
THIS WORK IS PROTECTED BY COPYRIGHT LAW.
IT IS ILLEGAL TO DISPLAY THIS WORK ON ANY WEBSITE/MEDIA STORAGE OTHER THAN www.technologystudent.com

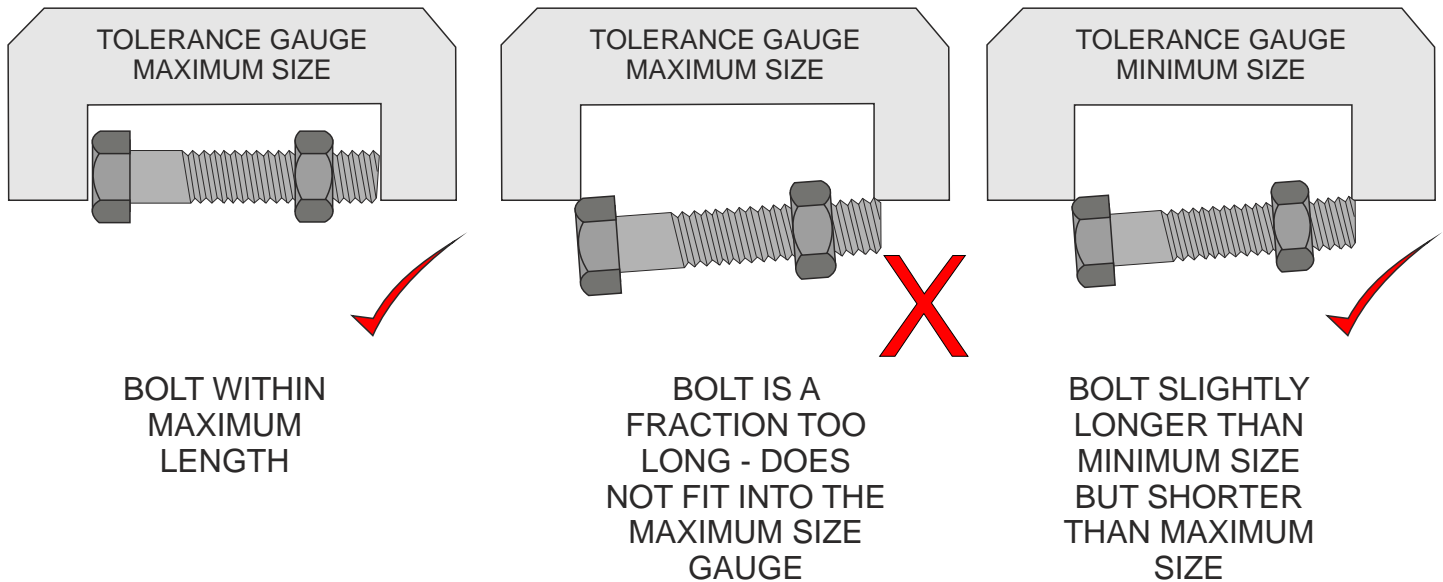
TOLERANCE - EXAMINATION QUESTION

V.Ryan © 2011 World Association of Technology Teachers

When large numbers of the same product are manufactured, it is important to select samples and to check that they have been made within certain tolerances. With reference to a product, what does the term 'tolerance' mean?

SAMPLE ANSWER:

A company manufacturing thousands of the M24 threaded bolts seen below, ensures that each bolt is manufactured within certain tolerances. A simple tolerance check includes checking that the bolt is not too long or too short. This is done with maximum size and minimum size gauges. If it is too long or too short, it will be rejected. (See diagrams below).



When large numbers of the same product are manufactured, it is important to select samples and to check that they have been made within certain tolerances. With reference to a product, what does the term 'tolerance' mean?

NOTES:

SKETCHES: