

# PRESET RESISTORS

V.Ryan © 2000 - 2008

On behalf of The World Association of Technology Teachers

## W.A.T.T.



World Association of Technology Teachers

This exercise can be printed and used by teachers and students. It is recommended that you view the website ([www.technologystudent.com](http://www.technologystudent.com)) before attempting the design sheet .

THESE MATERIALS CAN BE PRINTED AND USED BY TEACHERS AND STUDENTS.  
THEY MUST NOT BE EDITED IN ANY WAY OR PLACED ON ANY OTHER MEDIA INCLUDING WEB SITES AND INTRANETS.  
NOT FOR COMMERCIAL USE.  
THIS WORK IS PROTECTED BY COPYRIGHT LAW.  
IT IS ILLEGAL TO DISPLAY THIS WORK ON ANY WEBSITE/MEDIA STORAGE OTHER THAN [www.technologystudent.com](http://www.technologystudent.com)

# PRESET RESISTORS

V.Ryan © 2009 World Association of Technology Teachers

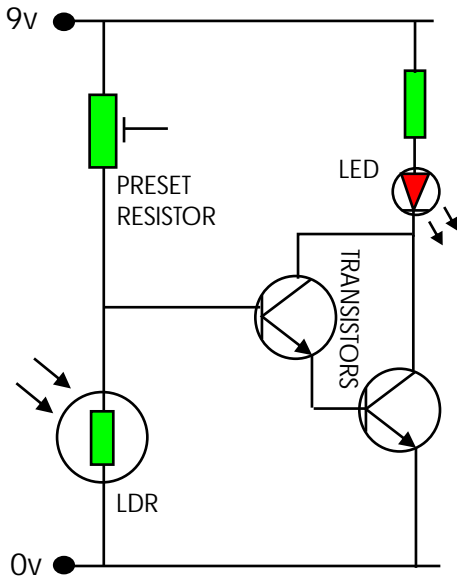
1. What is the purpose of a preset resistor when used in a temperature sensor?

2. What is the range of resistance of a typical preset resistor?

3. What tool is normally used to increase or decrease resistance with a preset resistor?

4. Draw the symbol for a preset resistor.

5. Sketch a typical preset resistor.



6. The circuit opposite is a dark sensor. What will happen if the preset resistor is adjusted to its highest resistance so that current cannot flow from positive 9 volts to negative 0 volts? Explain your answer.

---

---

---

---

---

---

---

---

7. A preset resistor is often a component used in a timer circuit. What is its purpose?

8. Sketch a circuit that includes a preset resistor (not the sensor seen above). Explain how the circuit works and the role of the resistor.

EXPLANATION:

---

---

---

---

---

---

ROLE OF PRESET:

---

---

---