

TENON JOINTS

V.Ryan © 2000 - 2008

On behalf of The World Association of Technology Teachers

W.A.T.T.



World Association of Technology Teachers

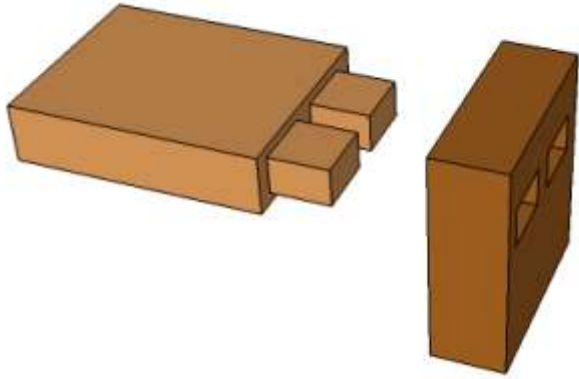
The 'Tenon Joint Exercise' can be printed and used by teachers and students. It is recommended that you view the website (www.technologystudent.com) before attempting the design sheet.

THESE MATERIALS CAN BE PRINTED AND USED BY TEACHERS AND STUDENTS.
THEY MUST NOT BE EDITED IN ANY WAY OR PLACED ON ANY OTHER MEDIA INCLUDING WEB SITES AND INTRANETS.
NOT FOR COMMERCIAL USE.
THIS WORK IS PROTECTED BY COPYRIGHT LAW.
IT IS ILLEGAL TO DISPLAY THIS WORK ON ANY WEBSITE/MEDIA STORAGE OTHER THAN www.technologystudent.com

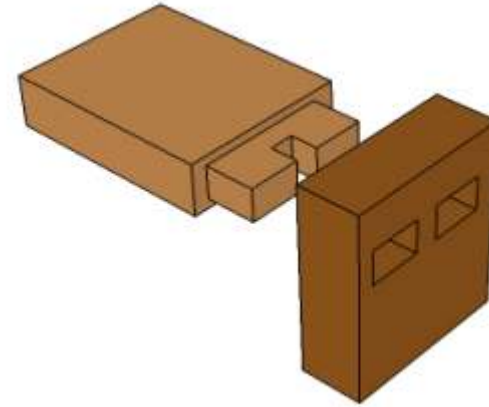
TENON JOINTS

Two mortise and tenon joints are shown below. The double mortise and tenon and twin mortise and tenon are similar joints. What is the main difference between the two joints?

DOUBLE MORTISE AND TENON



TWIN MORTISE AND TENON



In the space draw either the twin or double mortise and tenon joints

1. When would this type of joint be used?

2. Which of the two joints would be the most difficult to mark out and cut? Why?
