

DOVETAIL JOINTS

V.Ryan © 2000 - 2008

On behalf of The World Association of Technology Teachers

W.A.T.T.



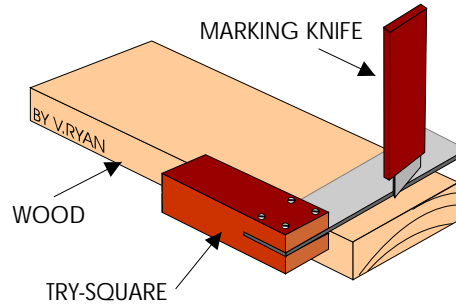
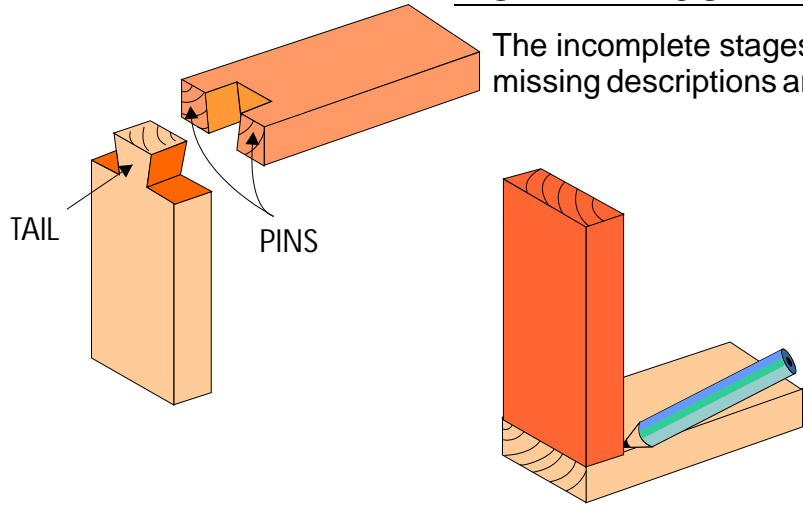
World Association of Technology Teachers

The 'Dovetail Joint Exercise' can be printed and used by teachers and students. It is recommended that you view the website (www.technologystudent.com) before attempting the design sheet.

THESE MATERIALS CAN BE PRINTED AND USED BY TEACHERS AND STUDENTS.
THEY MUST NOT BE EDITED IN ANY WAY OR PLACED ON ANY OTHER MEDIA INCLUDING WEB SITES AND INTRANETS.
NOT FOR COMMERCIAL USE.
THIS WORK IS PROTECTED BY COPYRIGHT LAW.
IT IS ILLEGAL TO DISPLAY THIS WORK ON ANY WEBSITE/MEDIA STORAGE OTHER THAN www.technologystudent.com

DOVETAIL JOINTS - MARKING OUT AND CUTTING THE TAILS

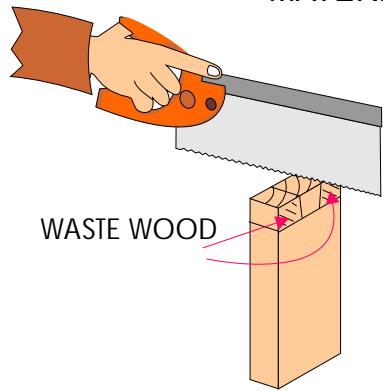
The incomplete stages of marking out and cutting the TAILS are draw below. Complete the stages by adding the missing descriptions and drawings.



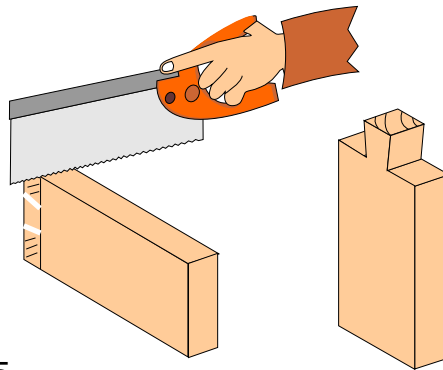
1. THE TWO SIDES TO BE JOINTED ARE ARRANGED AS SHOWN IN THE DIAGRAM. A PENCIL IS USED TO MARK THE THICKNESS OF THE MATERIAL.

2. _____

3. A DOVETAIL TEMPLATE IS USED TO MARK OUT THE DOVETAIL.



4. _____



5. _____

6. IF THE JOINT IS SLIGHTLY INACCURATE A FIRMER OR BEVEL EDGED CHISEL CAN BE USED TO CORRECT IT. A G CRAMP IS USED TO HOLD THE WOOD FIRMLY.