

EXAMINATION PREPARATION

V.Ryan © 2000 - 2009

On behalf of The World Association of Technology Teachers

W.A.T.T.



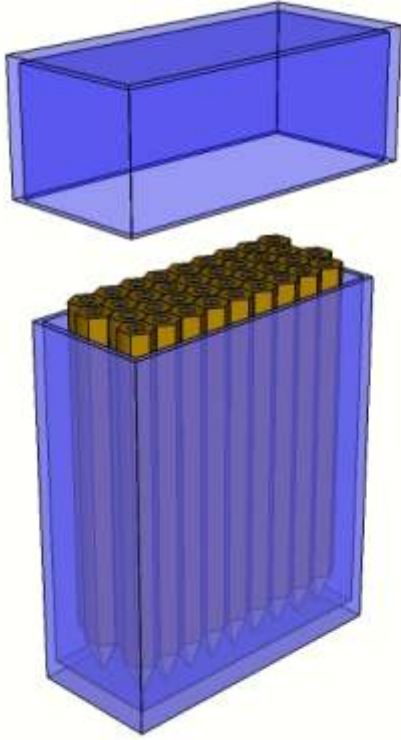
World Association of Technology Teachers

This exercise can be printed and used by teachers and students. It is recommended that you view the website (www.technologystudent.com) before attempting the design sheet .

THESE MATERIALS CAN BE PRINTED AND USED BY TEACHERS AND STUDENTS.
THEY MUST NOT BE EDITED IN ANY WAY OR PLACED ON ANY OTHER MEDIA INCLUDING WEB SITES AND INTRANETS.
NOT FOR COMMERCIAL USE.
THIS WORK IS PROTECTED BY COPYRIGHT LAW.
IT IS ILLEGAL TO DISPLAY THIS WORK ON ANY WEBSITE/MEDIA STORAGE OTHER THAN www.technologystudent.com

EXAMINATION QUESTION

V.Ryan © 2009 World Association of Technology Teachers



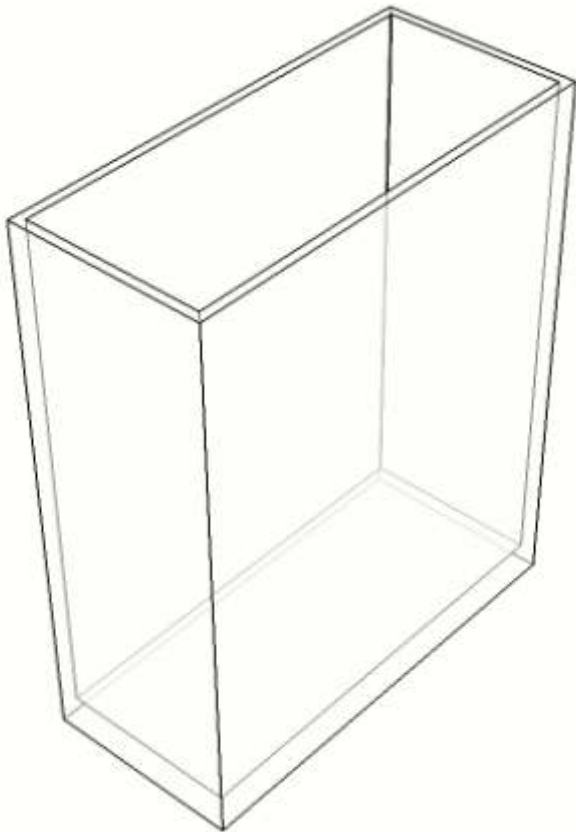
The pencil container is part of a party pack. It has been manufactured from recyclable card. It has been included to contain a number of pencils that will given out t a children’s party. The case is shown as translucent so that you can see how it goes together.

Design an alternative lid for the container. The lid must be part of the base and form one net/development. It must not be separate as seen with the example.

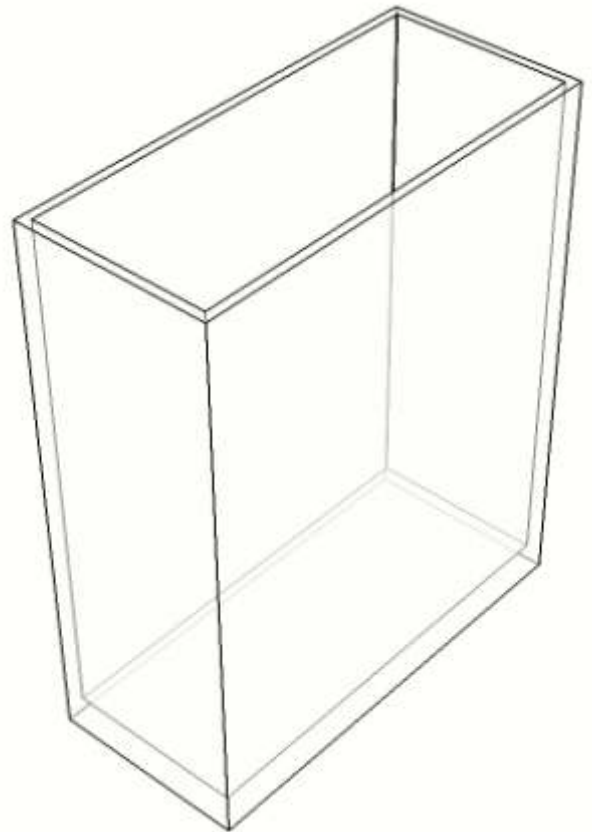
Sketch a rough version of the lid by completing 3D drawing container ‘A’.

Then draw a fully rendered version of your design , completing container ‘B’.

Add explanatory notes to explain your design.



CONTAINER ‘A’



CONTAINER ‘B’

NOTES: _____

