

COMBINATION SQUARE - EXAMINATION QUESTIONS

WORLD ASSOCIATION OF TECHNOLOGY TEACHERS

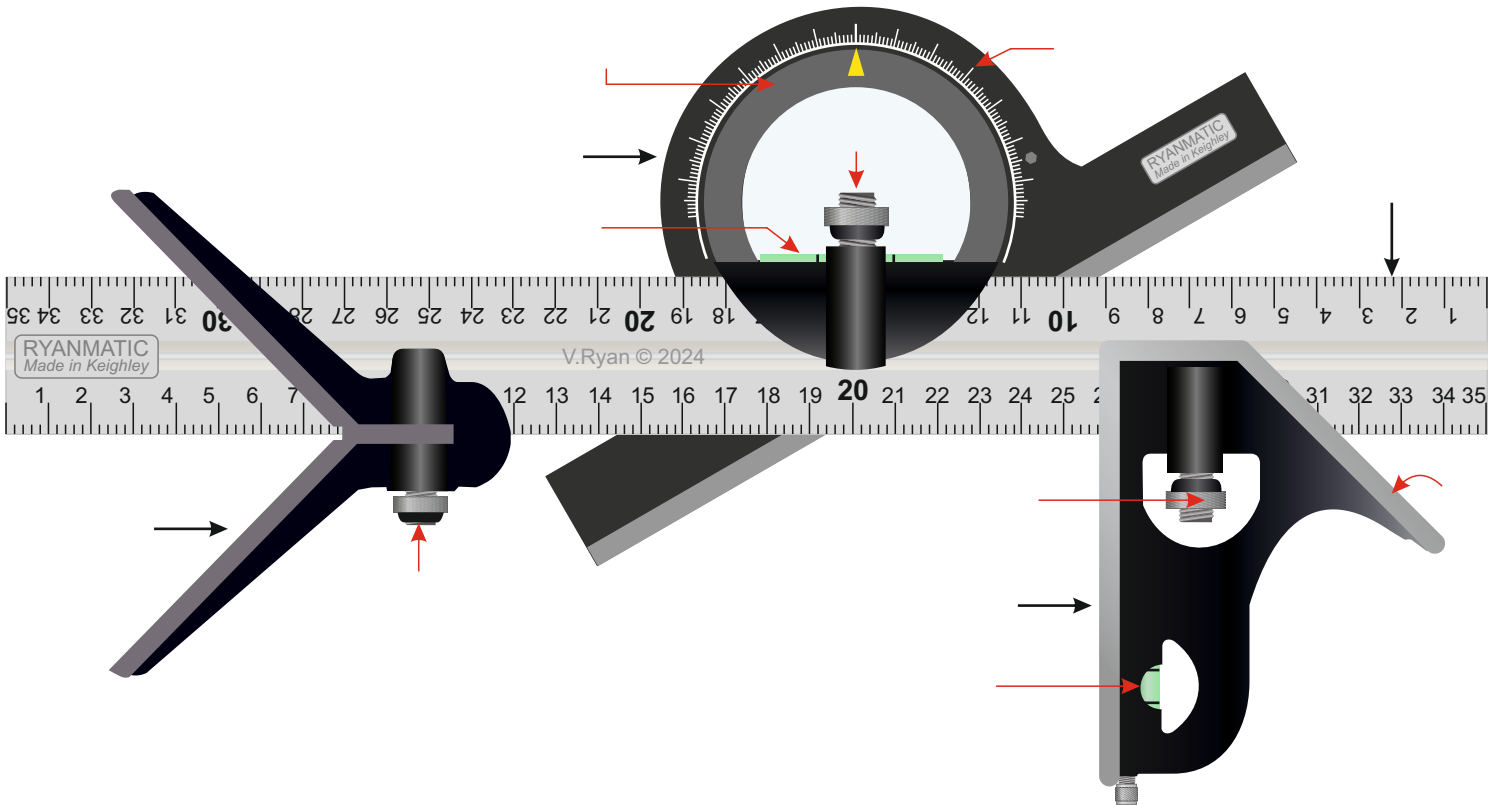
<https://www.facebook.com/groups/254963448192823/>

www.technologystudent.com

© 2024 V.Ryan © 2024

HELPFUL LINK: https://www.technologystudent.com/equip_fish/csquare1.html

1. Complete the diagram of the combination square, by adding the missing labels, as indicated by the arrows. **12 marks**



2. With the aid of sketches / diagrams, explain one use of the protractor head, the square head and the centre head.

4 marks per 'head', 12 marks in total