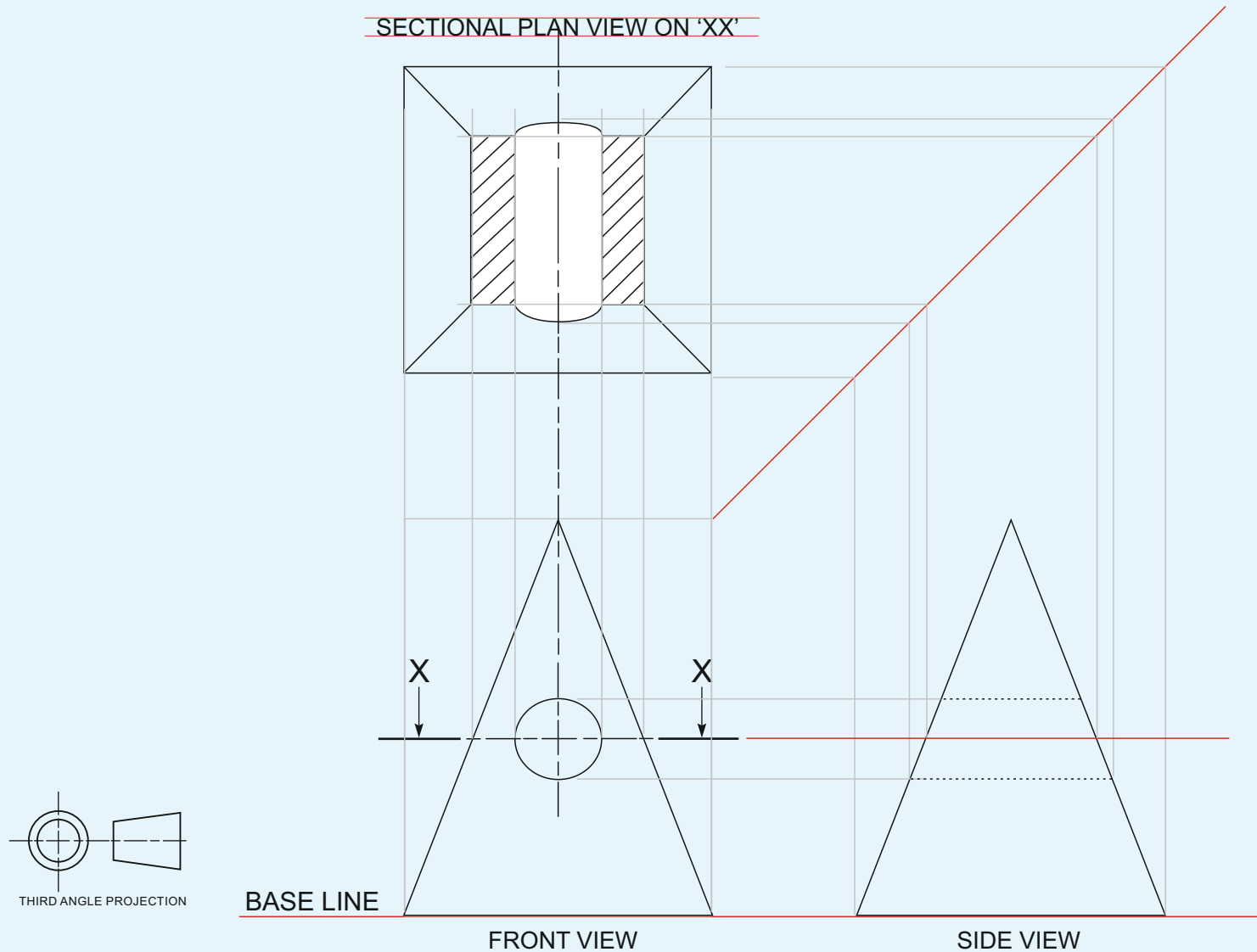


THIRD ANGLE ORTHOGRAPHIC DRAWING

EXERCISE BOOK THREE



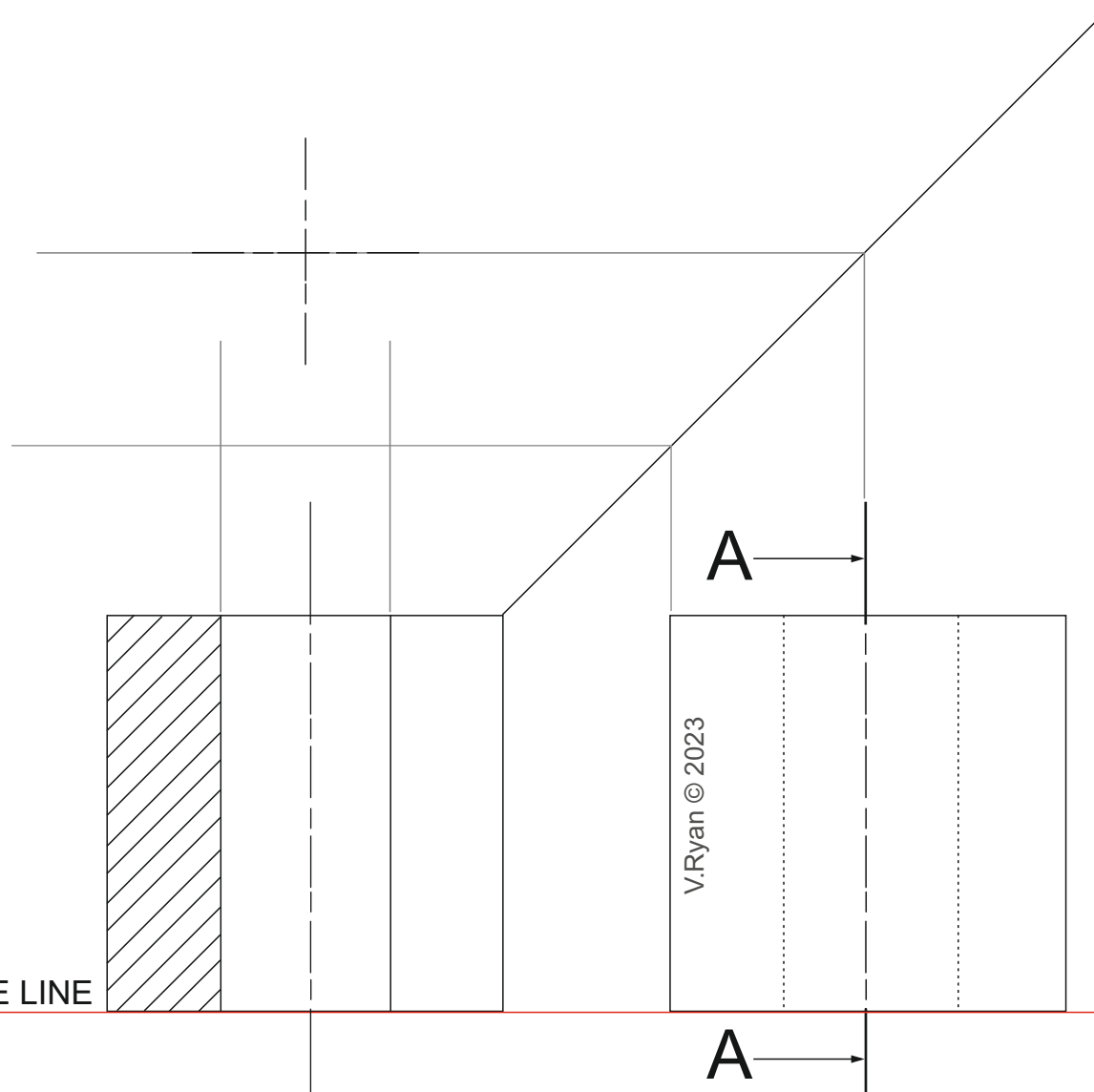
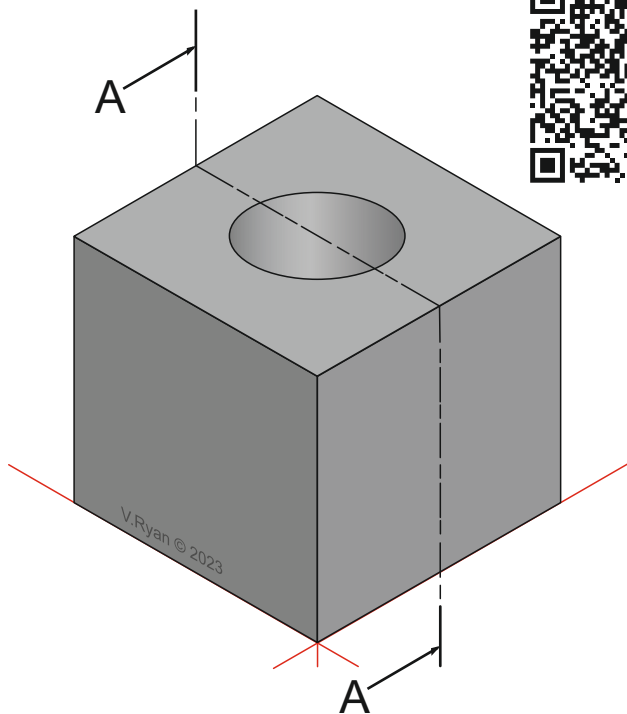
THIRD ANGLE ORTHOGRAPHIC DRAWING

HELPFUL LINK: https://technologystudent.com/despro_3/sectional1.html

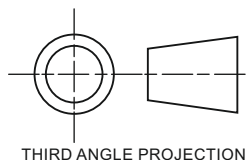
ORTHOGRAPHIC SECTIONAL VIEW (THIRD ANGLE PROJECTION)

**COMPLETE THE THREE VIEWS OF THE
SOLID OBJECT SHOWN BELOW,
INCLUDING A SECTIONAL END VIEW ON
'AA'.**

HELPFUL LINK



PLEASE ESTIMATE ALL MEASUREMENTS



THIRD ANGLE PROJECTION

BASE LINE

SECTIONAL END VIEW ON 'AA'

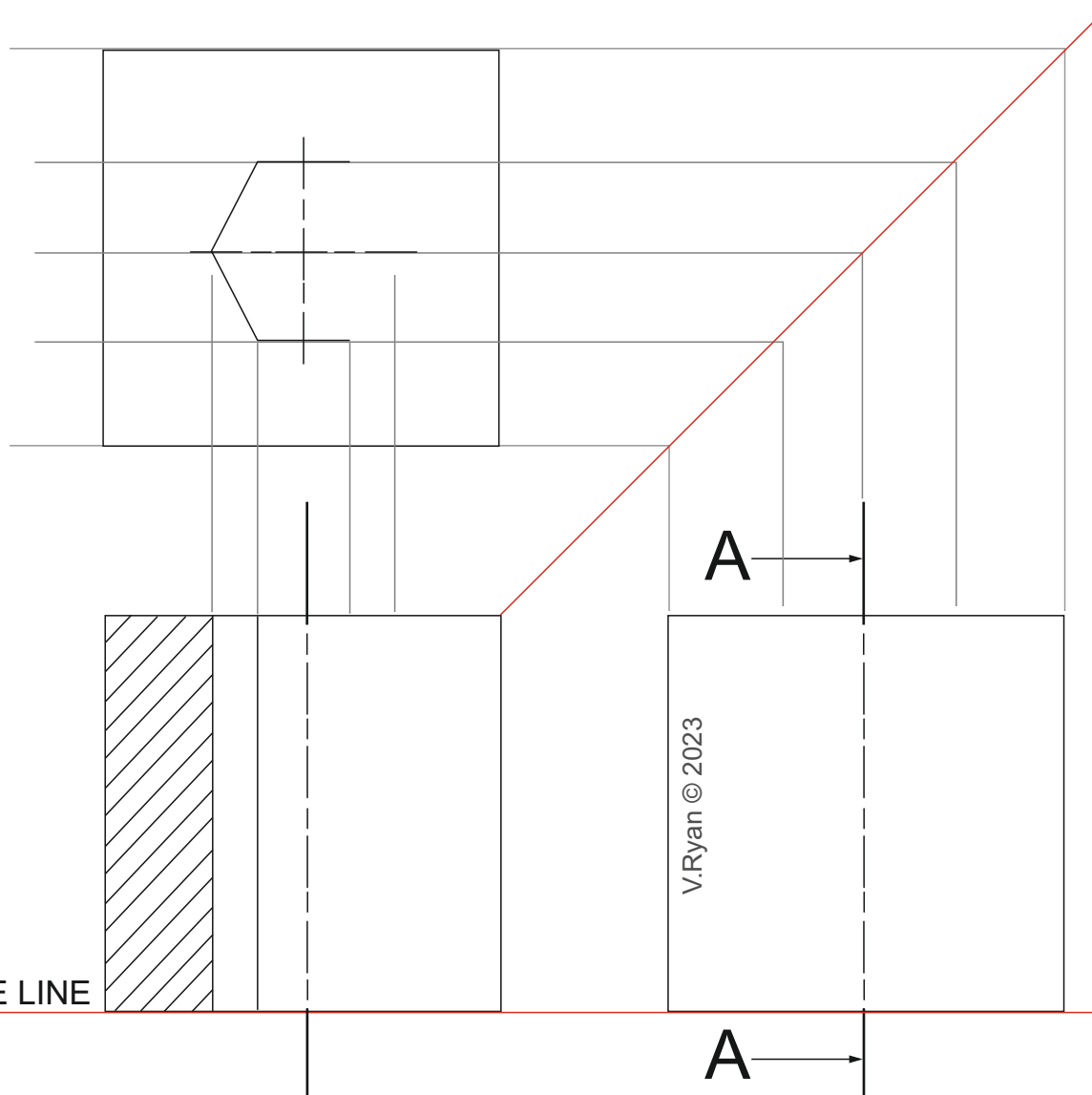
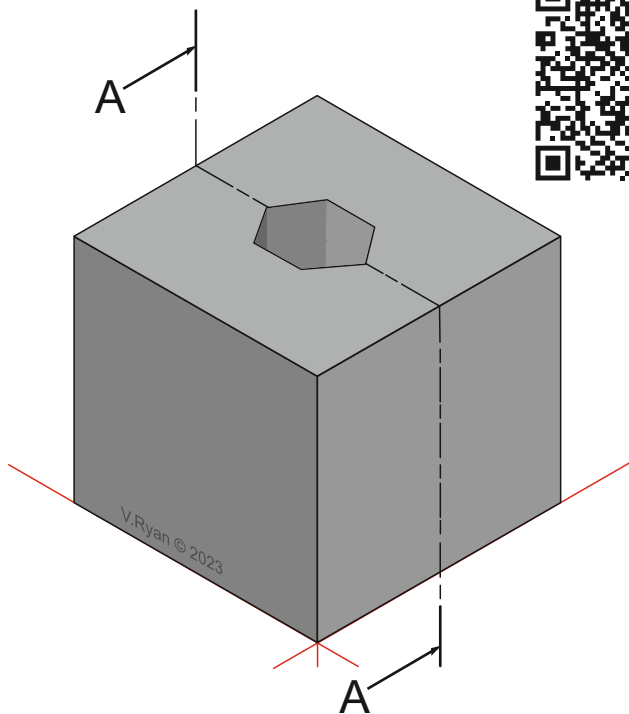
THIRD ANGLE ORTHOGRAPHIC DRAWING

HELPFUL LINK: https://technologystudent.com/despro_3/sectional2.html

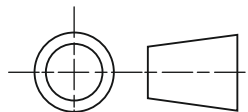
ORTHOGRAPHIC SECTIONAL VIEW (THIRD ANGLE PROJECTION)

**COMPLETE THE THREE VIEWS OF THE
SOLID OBJECT SHOWN BELOW,
INCLUDING A SECTIONAL END VIEW ON
'AA'.**

HELPFUL LINK



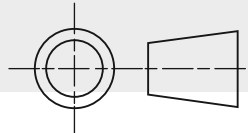
PLEASE ESTIMATE ALL MEASUREMENTS



THIRD ANGLE PROJECTION

SECTIONAL END VIEW ON 'AA'

THIRD ANGLE ORTHOGRAPHIC DRAWING



THIRD ANGLE PROJECTION

COMPLETE THE THREE VIEWS OF THE SQUARE PYRAMID SHOWN OPPOSITE, INCLUDING A SECTIONAL PLAN VIEW ON 'XX'.

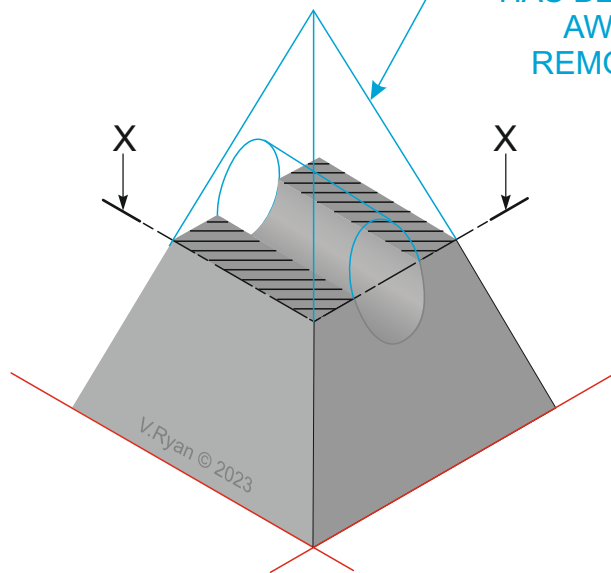
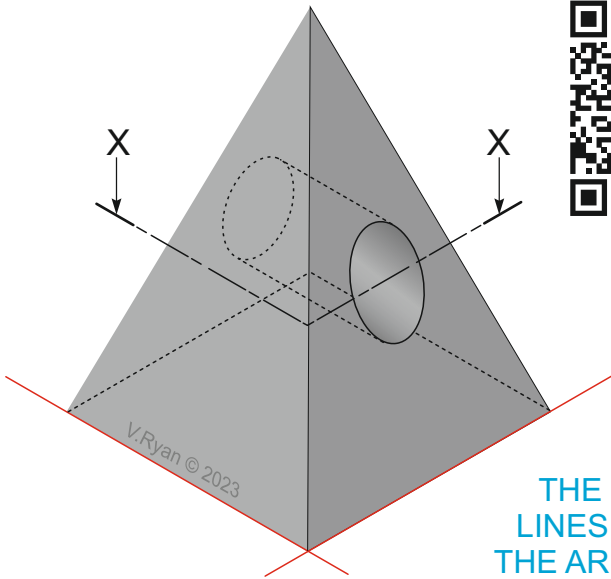
HELPFUL LINK: https://technologystudent.com/despro_3/sectional3.html

SQUARE PYRAMID

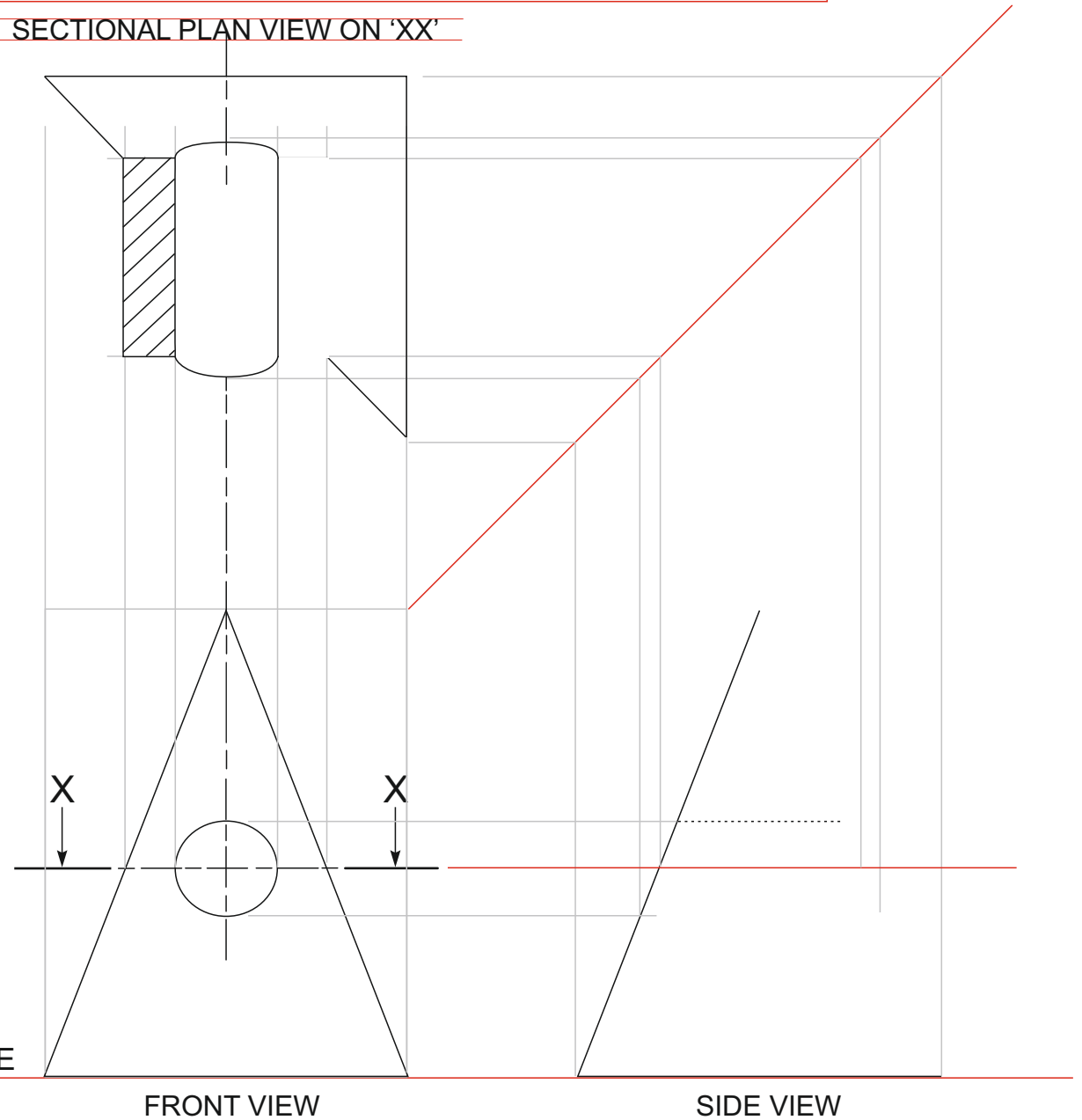
HELPFUL LINK



SECTIONAL PLAN VIEW ON 'XX'



THE BLUE LINES SHOW THE AREA THAT HAS BEEN CUT AWAY / REMOVED.



SECTIONAL VIEWS - THIRD ANGLE ORTHOGRAPHIC DRAWING

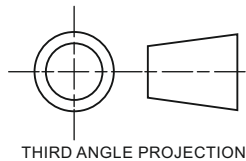
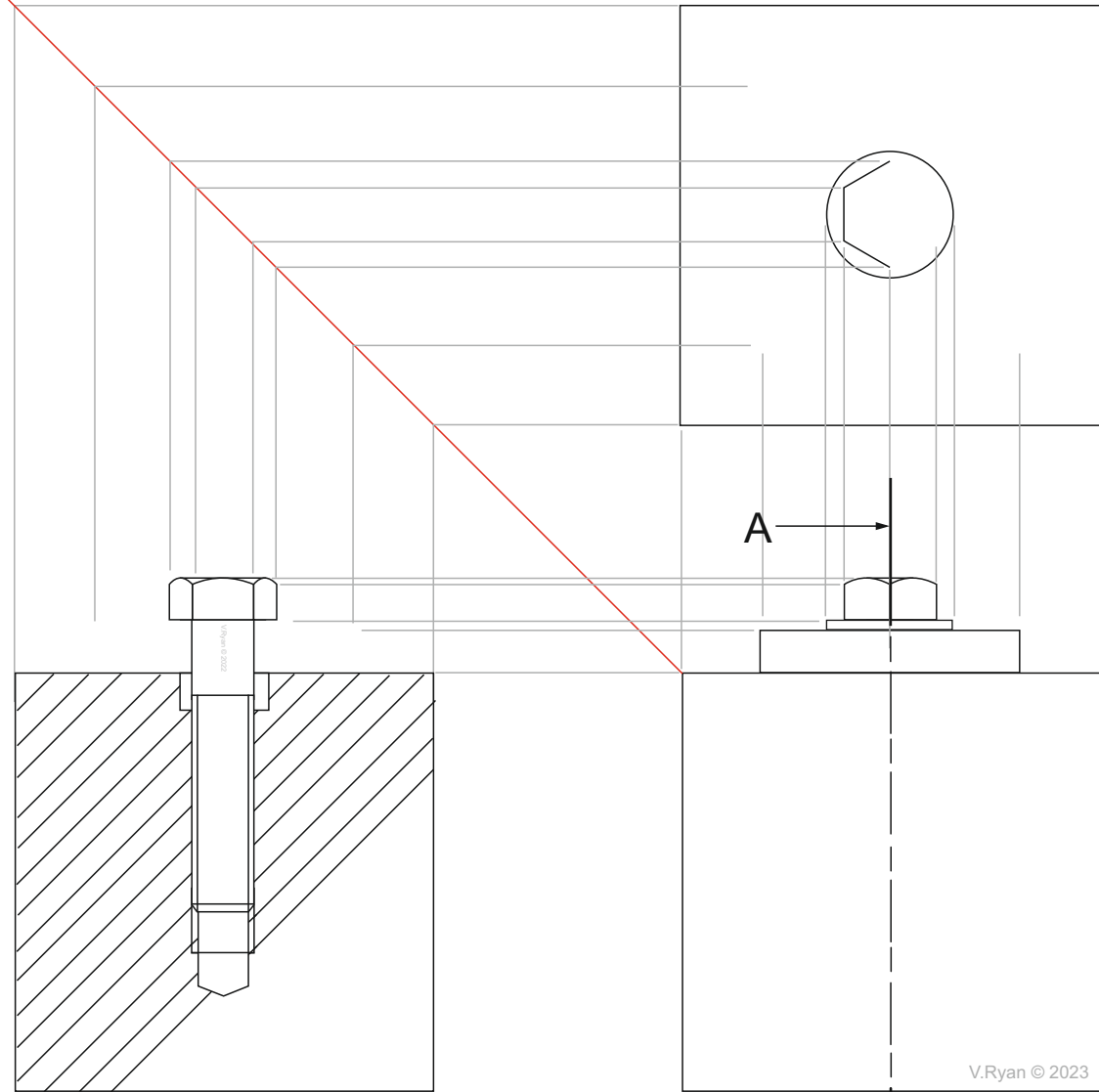
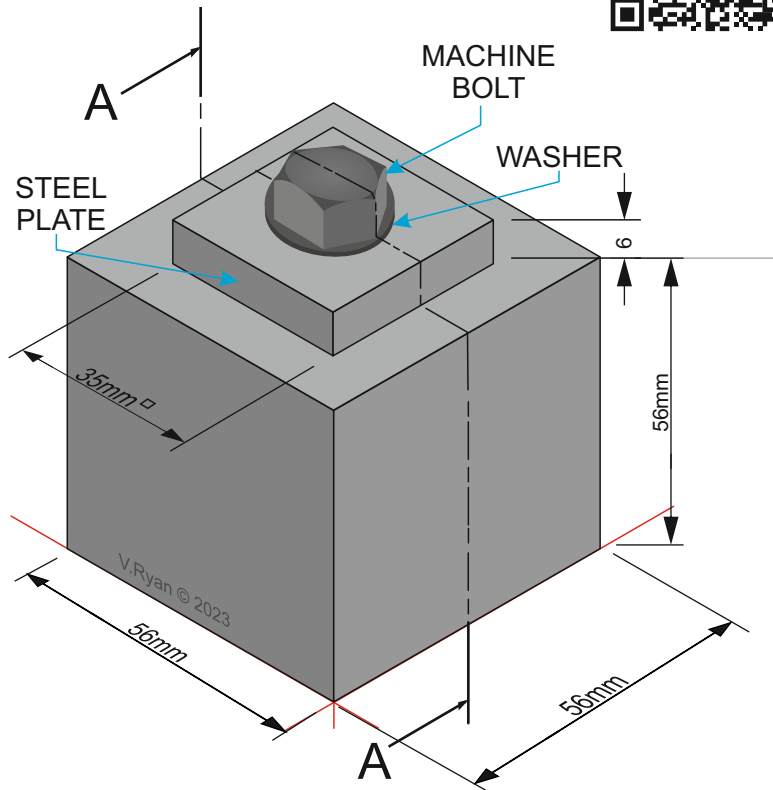
COMPLETE THE THREE VIEWS OF THE
BLOCK AND BOLT SHOWN BELOW,
INCLUDING THE SECTIONAL FRONT VIEW

HELPFUL LINK: https://technologystudent.com/despro_3/sectional4.html

PLAN VIEW

ADD SIX DIMENSIONS

HELPFUL LINK



SECTIONAL FRONT ELEVATION ON 'AA'

SIDE VIEW

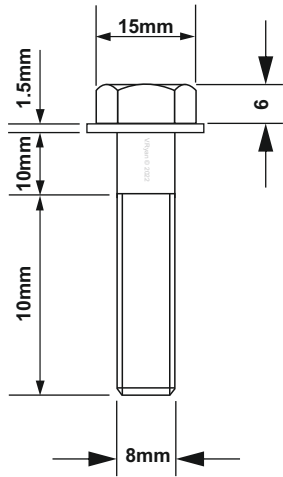
SECTIONAL VIEWS - THIRD ANGLE ORTHOGRAPHIC DRAWING

WORLD ASSOCIATION OF TECHNOLOGY TEACHERS

<https://www.facebook.com/groups/254963448192823/>

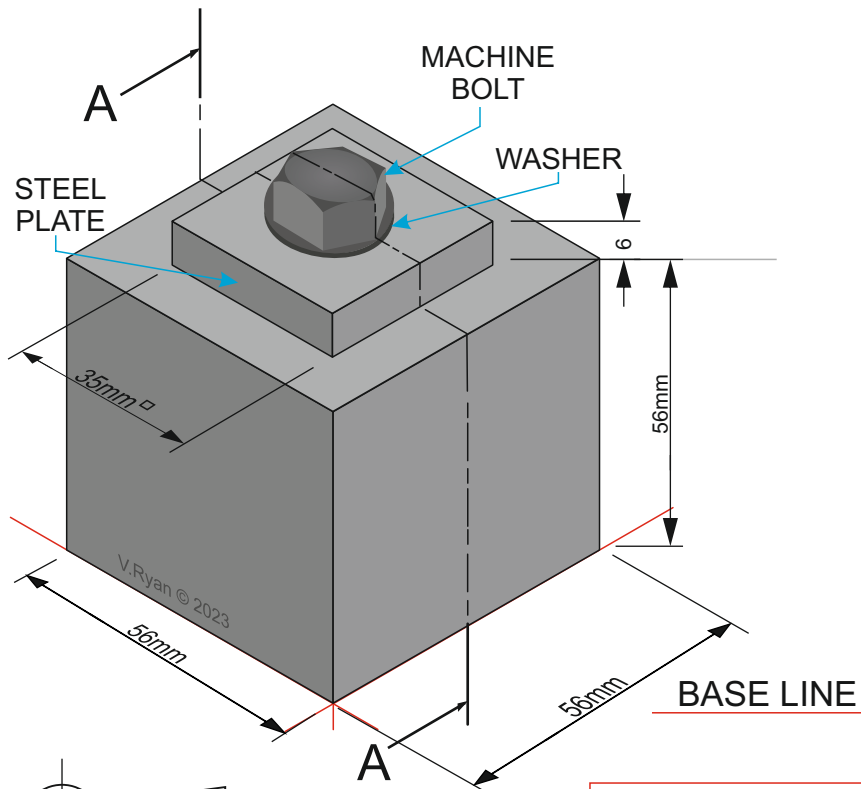
technologystudent.com © 2023

V.Ryan © 2023



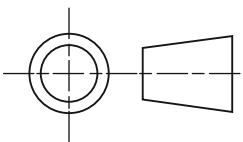
DRAW THE SECTIONAL FRONT VIEW, SIDE AND PLAN VIEWS OF THE BLOCK AND BOLT. FOLLOW THE DIMENSIONS SHOWN BELOW. WHERE NECESSARY, ESTIMATE MEASUREMENTS.

ADD SIX DIMENSIONS TO YOUR COMPLETED ORTHOGRAPHIC DRAWING



HELPFUL LINK: https://technologystudent.com/despro_3/sectional4.html

HELPFUL LINK



THIRD ANGLE PROJECTION

SECTIONAL VIEWS - THIRD ANGLE ORTHOGRAPHIC DRAWING

WORLD ASSOCIATION OF TECHNOLOGY TEACHERS

<https://www.facebook.com/groups/254963448192823/>

technologystudent.com © 2023

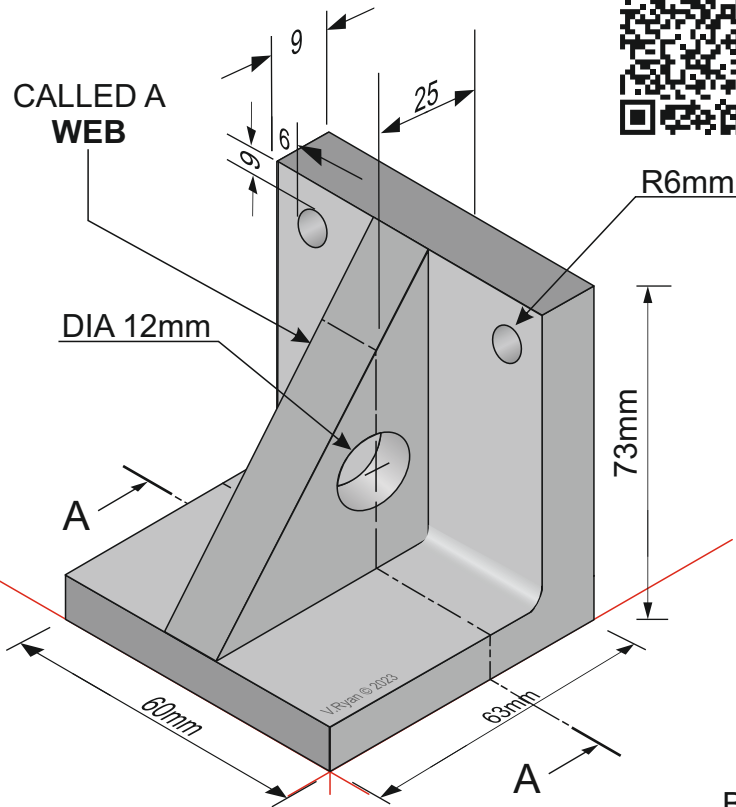
V.Ryan © 2023

HELPFUL LINK: https://technologystudent.com/despro_3/sectional5.html

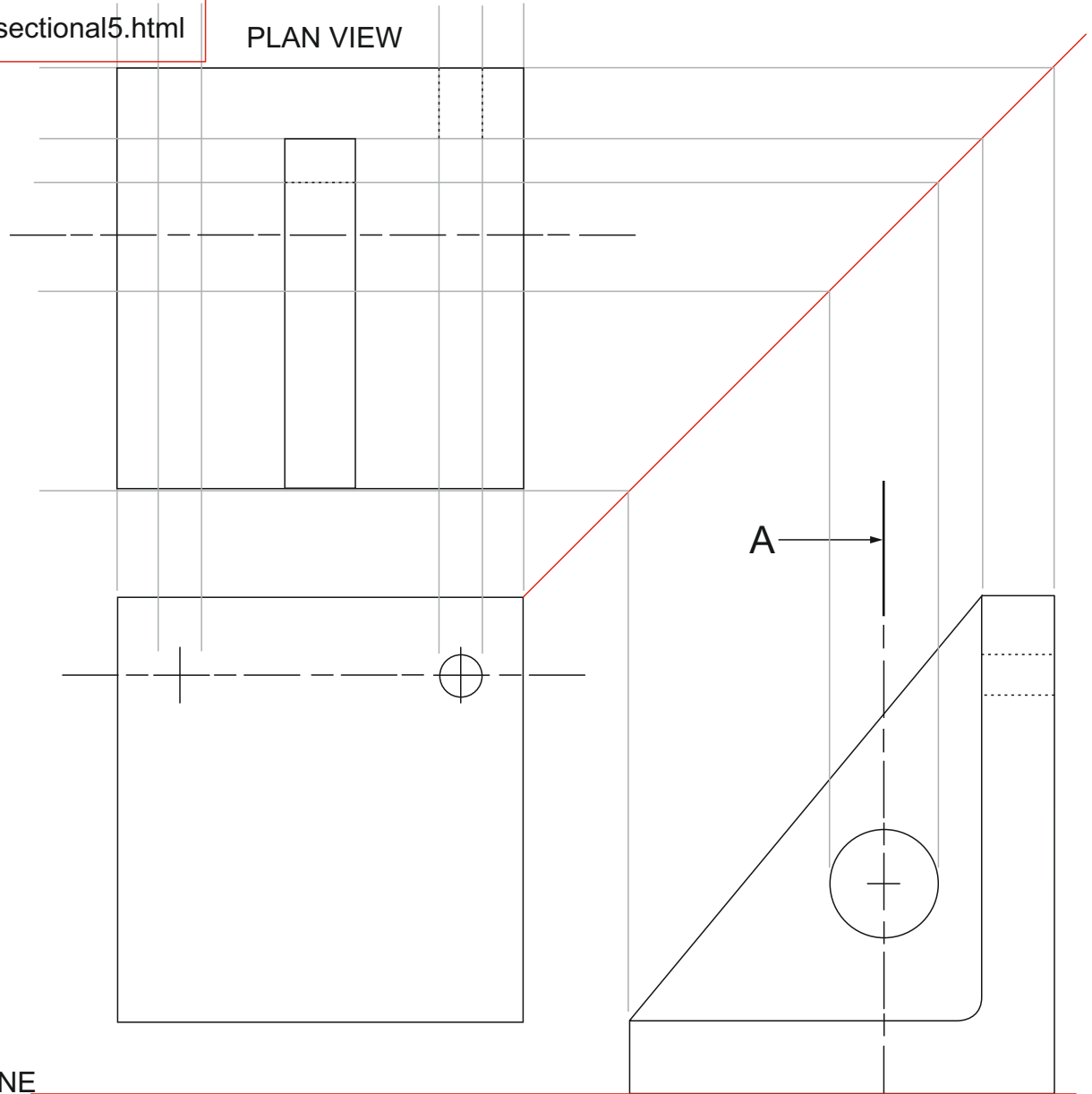
COMPLETE THE THREE VIEWS OF THE CAST ALUMINIUM BRACKET SHOWN BELOW. INCLUDING THE SECTIONAL FRONT VIEW.

ADD SIX DIMENSIONS

HELPFUL LINK



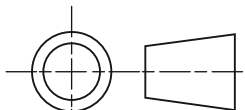
PLAN VIEW



BASE LINE

SECTIONAL FRONT ELEVATION ON 'AA'

SIDE VIEW



THIRD ANGLE PROJECTION

SECTIONAL VIEWS - THIRD ANGLE ORTHOGRAPHIC DRAWING

WORLD ASSOCIATION OF TECHNOLOGY TEACHERS

<https://www.facebook.com/groups/254963448192823/>

technologystudent.com © 2023

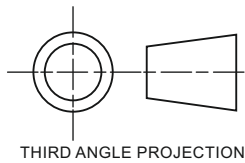
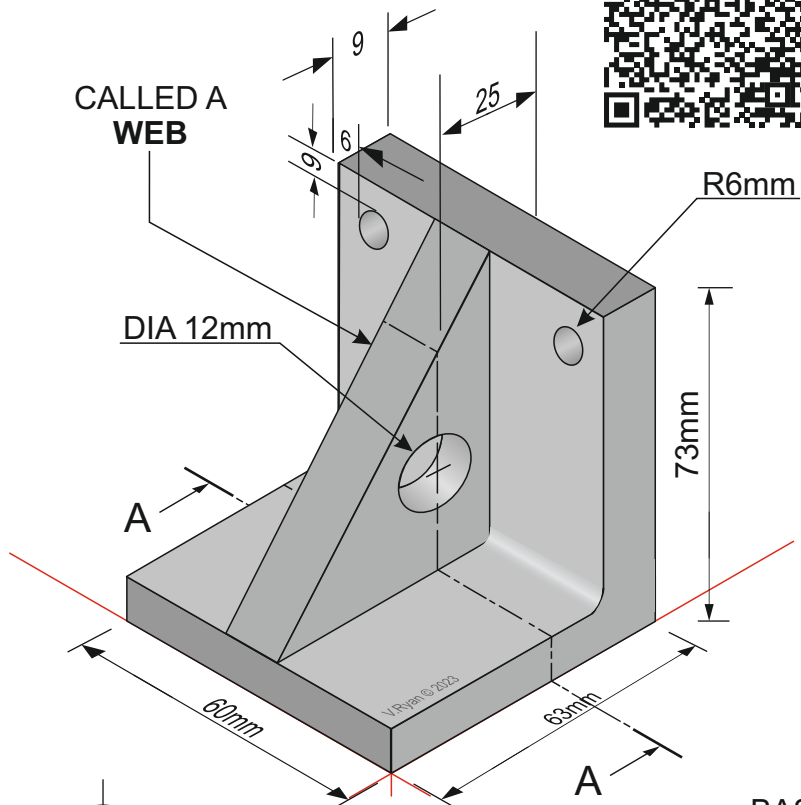
V.Ryan © 2023

HELPFUL LINK: https://technologystudent.com/despro_3/sectional5.html

DRAW THE SECTIONAL FRONT VIEW, SIDE AND PLAN VIEWS OF THE CAST ALUMINIUM BRACKET. FOLLOW THE DIMENSIONS SHOWN BELOW. WHERE NECESSARY, ESTIMATE MEASUREMENTS.

ADD SIX DIMENSIONS TO YOUR COMPLETED ORTHOGRAPHIC DRAWING

HELPFUL LINK



THIRD ANGLE PROJECTION

BASE LINE

SECTIONAL FRONT ELEVATION ON 'AA'

SIDE VIEW

SECTIONAL VIEWS - THIRD ANGLE ORTHOGRAPHIC DRAWING

WORLD ASSOCIATION OF TECHNOLOGY TEACHERS

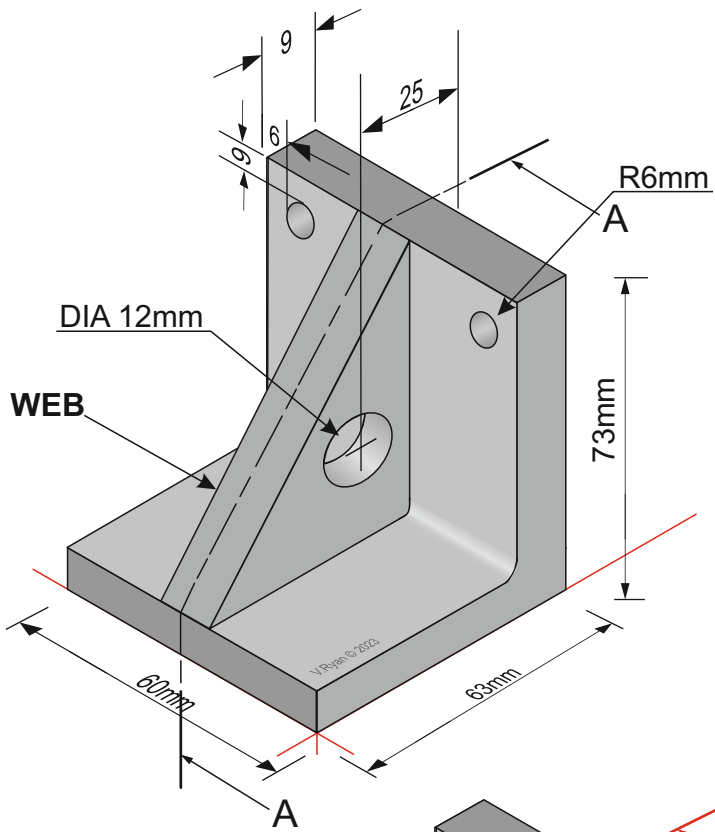
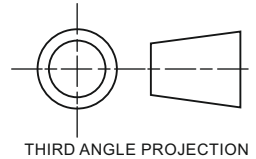
<https://www.facebook.com/groups/254963448192823/>

technologystudent.com © 2023

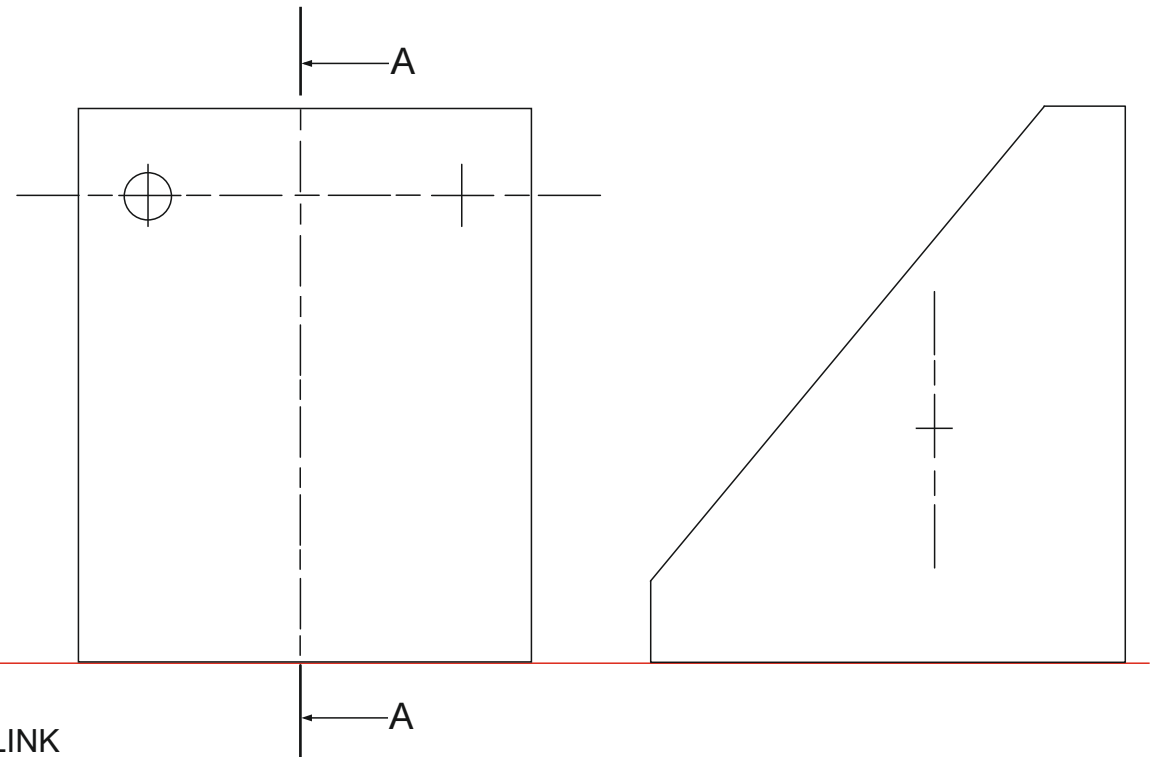
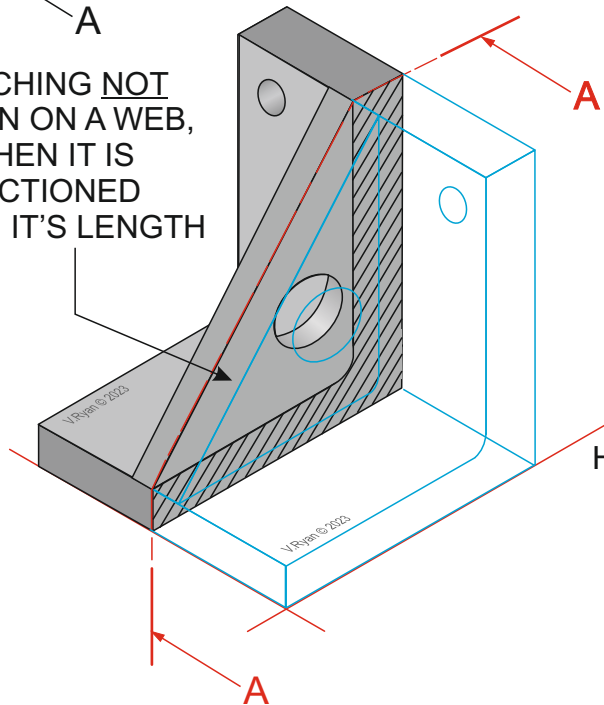
V.Ryan © 2023

COMPLETE THE SECTIONAL SIDE VIEW AND ALSO THE FRONT VIEW OF THE CAST ALUMINIUM BRACKET. FOLLOW THE DIMENSIONS SHOWN OPPOSITE. WHERE NECESSARY, ESTIMATE MEASUREMENTS.

ADD SIX DIMENSIONS TO YOUR COMPLETED ORTHOGRAPHIC DRAWING



HATCHING NOT DRAWN ON A WEB, WHEN IT IS SECTIONED ALONG IT'S LENGTH



FRONT VIEW

SECTIONAL SIDE ELEVATION ON 'AA'

HELPFUL LINK



HELPFUL LINK: https://technologystudent.com/despro_3/sectional6.html

SECTIONAL VIEWS - THIRD ANGLE ORTHOGRAPHIC DRAWING

WORLD ASSOCIATION OF TECHNOLOGY TEACHERS

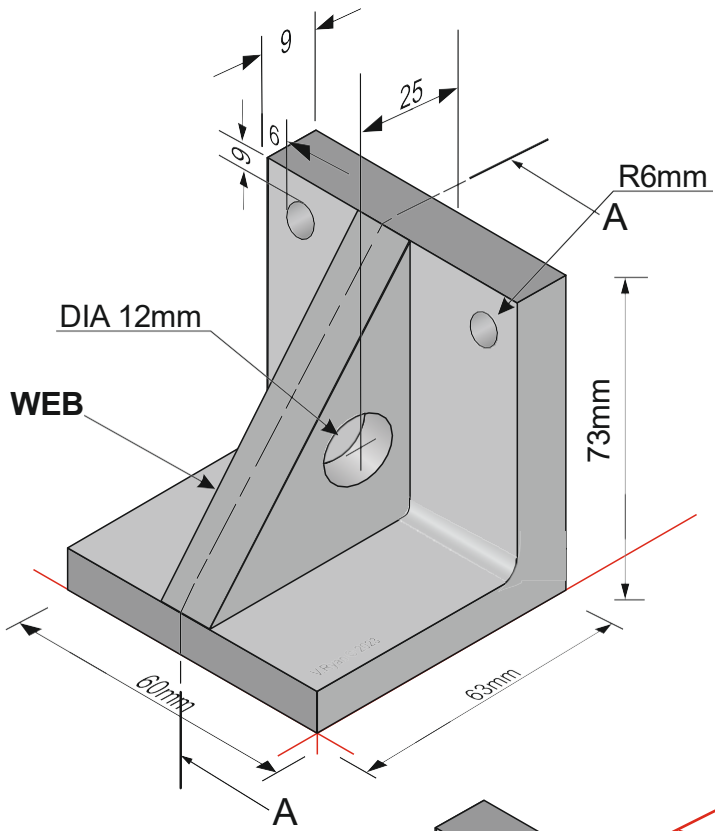
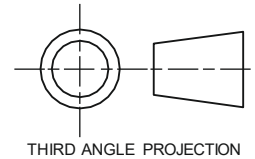
<https://www.facebook.com/groups/254963448192823/>

technologystudent.com © 2023

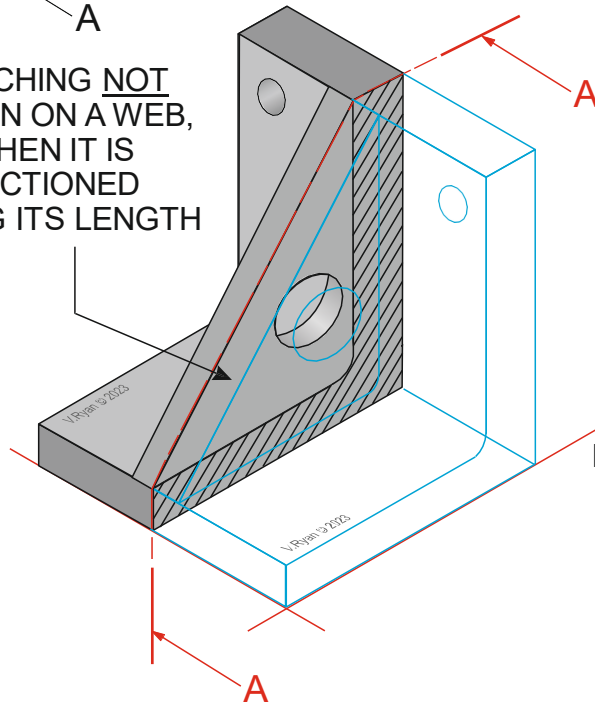
V.Ryan © 2023

**DRAW THE SECTIONAL SIDE VIEW AND ALSO THE FRONT VIEW OF THE CAST ALUMINIUM BRACKET.
FOLLOW THE DIMENSIONS SHOWN OPPOSITE. WHERE NECESSARY,
ESTIMATE MEASUREMENTS.**

**ADD SIX DIMENSIONS TO YOUR COMPLETED
ORTHOGRAPHIC DRAWING**



HATCHING NOT
DRAWN ON A WEB,
WHEN IT IS
SECTIONED
ALONG ITS LENGTH



HELPFUL LINK



FRONT VIEW

SECTIONAL SIDE ELEVATION ON 'AA'

HELPFUL LINK: https://technologystudent.com/despro_3/sectional6.html