

# SINGLE POINT PERSPECTIVE EXERCISE

V.Ryan © 2000 - 2008

On behalf of The World Association of Technology Teachers

## W.A.T.T.



World Association of Technology Teachers

The 'Perspective Exercise' can be printed and used by teachers and students. It is recommended that you view the website section 'Graphics' ([www.technologystudent.com](http://www.technologystudent.com)) before attempting the design sheet .

THESE MATERIALS CAN BE PRINTED AND USED BY TEACHERS AND STUDENTS.  
THEY MUST NOT BE EDITED IN ANY WAY OR PLACED ON ANY OTHER MEDIA INCLUDING WEB SITES AND INTRANETS.  
NOT FOR COMMERCIAL USE.  
THIS WORK IS PROTECTED BY COPYRIGHT LAW.  
IT IS ILLEGAL TO HAVE THIS WORK DISPLAYED ON ANY WEBSITE/MEDIA STORAGE OTHER THAN [www.technologystudent.com](http://www.technologystudent.com)

# EXAMPLE OF SINGLE POINT PERSPECTIVE

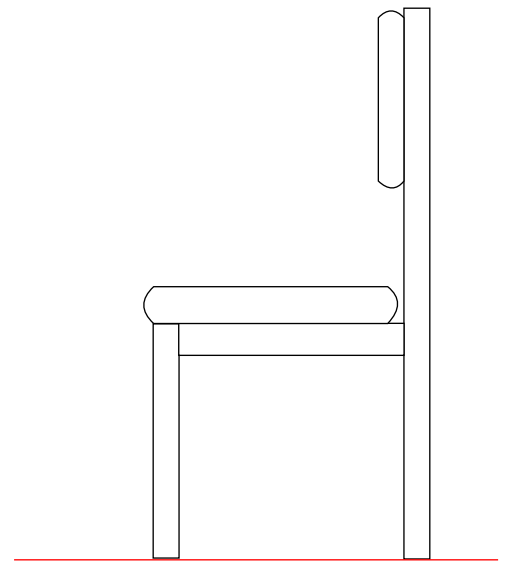
A square section wood frame chair is much more difficult to draw accurately in single point perspective.

## SQUARE SECTION WOOD FRAME CHAIR

VP X

**1.** Draw the side view of a chair and mark with an X the single vanishing point. The legs are thicker than the steel chair on the previous page.

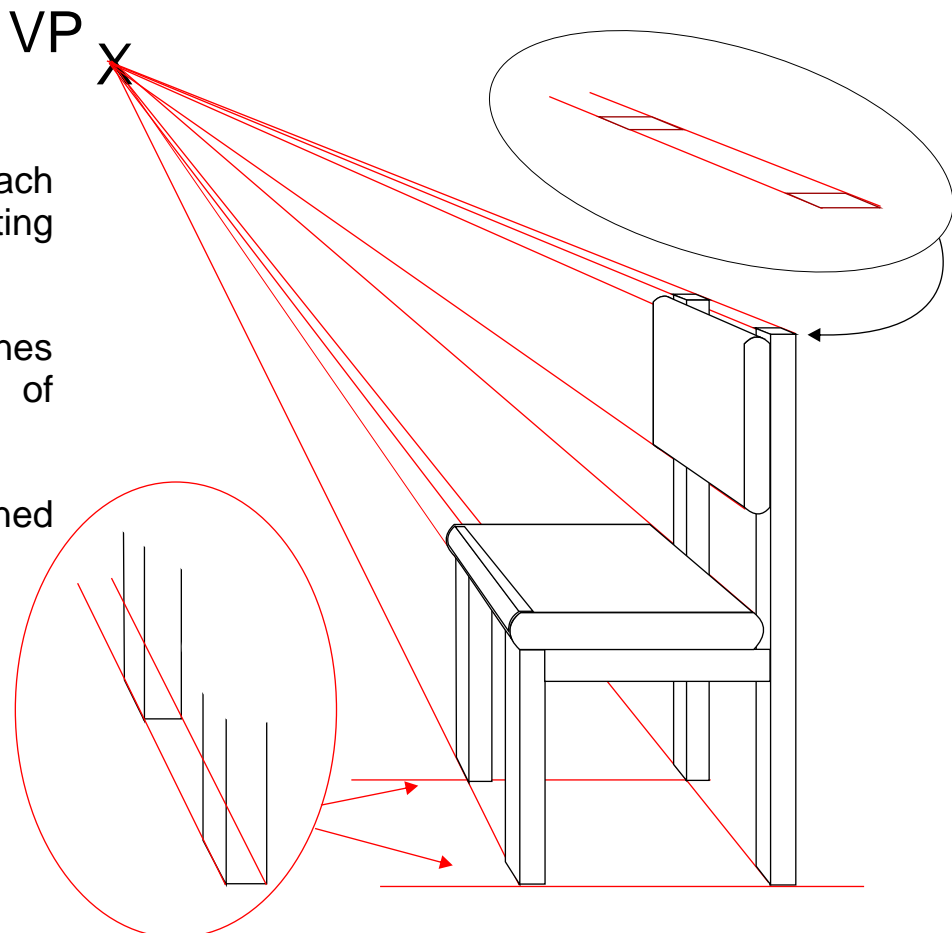
Experiment a little with the position of the vanishing point until you find what you consider to be the right place.



**2.** Draw faint guidelines from each corner/edge of the chair projecting them back to the vanishing point.

You may need more guidelines because of the square section of each leg.

Look carefully at the way the 'lined up' using the guidelines.



# EXAMINATION QUESTION

Complete the perspective drawing of the chair below by adding the missing lines. Add colour and shade.

VP  
X

