

TURNING A BOWL WITH A MATCHING LID - PREPARING THE BLANKS

V.Ryan © 2000 - 2012

On behalf of The World Association of Technology Teachers

W.A.T.T.



World Association of Technology Teachers

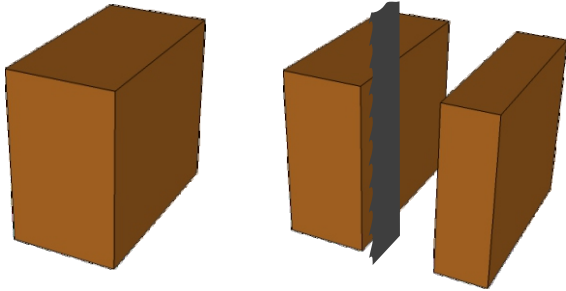
This exercise can be printed and used by teachers and students. It is recommended that you view the website (www.technologystudent.com) before attempting the design sheet .

THESE MATERIALS CAN BE PRINTED AND USED BY TEACHERS AND STUDENTS.
THEY MUST NOT BE EDITED IN ANY WAY OR PLACED ON ANY OTHER MEDIA INCLUDING WEB SITES AND INTRANETS.
NOT FOR COMMERCIAL USE.
THIS WORK IS PROTECTED BY COPYRIGHT LAW.
IT IS ILLEGAL TO DISPLAY THIS WORK ON ANY WEBSITE/MEDIA STORAGE OTHER THAN www.technologystudent.com

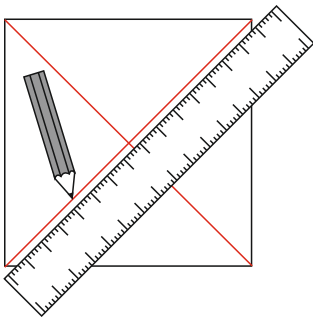
TURNING A BOWL WITH A MATCHING LID - PREPARING THE BLANKS

V.Ryan © 2012 World Association of Technology Teachers

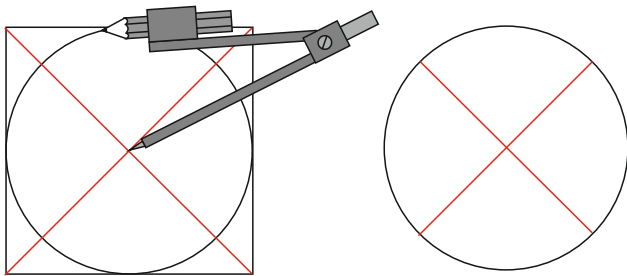
1. Describe/explain how a blank is prepared for turning on a lathe, to produce a bowl with a lid. The diagrams below set out the stages involved, simply add notes and labels.



1. _____



2. _____



3. _____

4. _____

