

SKETCHING EXERCISE TUBE JOINTS

V.Ryan © 2000 - 2016

On behalf of The World Association of Technology Teachers

W.A.T.T.



World Association of Technology Teachers

This exercise can be printed and used by teachers and students. It is recommended that you view the website (www.technologystudent.com) before attempting the design sheet .

THESE MATERIALS CAN BE PRINTED AND USED BY TEACHERS AND STUDENTS.
THEY MUST NOT BE EDITED IN ANY WAY OR PLACED ON ANY OTHER MEDIA INCLUDING WEB SITES AND INTRANETS.
NOT FOR COMMERCIAL USE.
THIS WORK IS PROTECTED BY COPYRIGHT LAW.
IT IS ILLEGAL TO DISPLAY THIS WORK ON ANY WEBSITE/MEDIA STORAGE OTHER THAN www.technologystudent.com

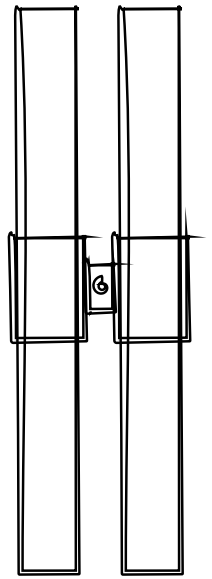
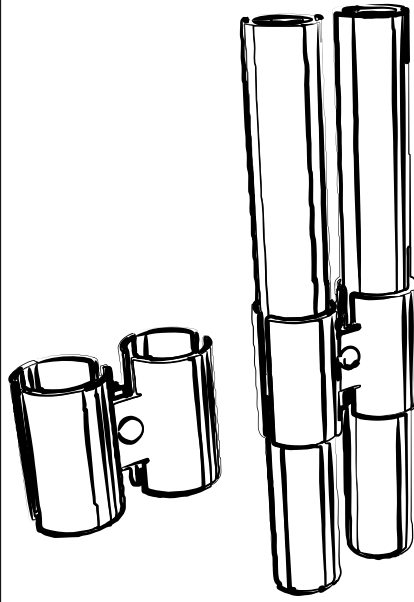
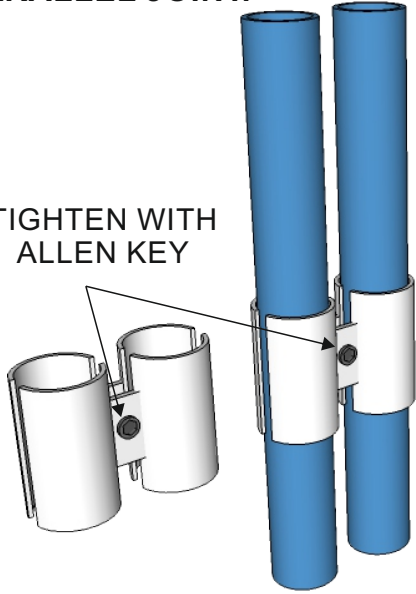
ORIGINAL
DRAWING

3D SKETCH

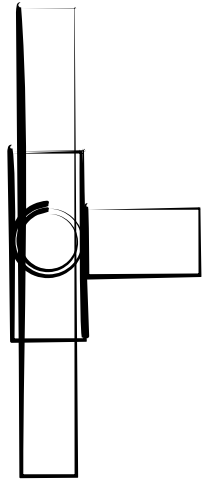
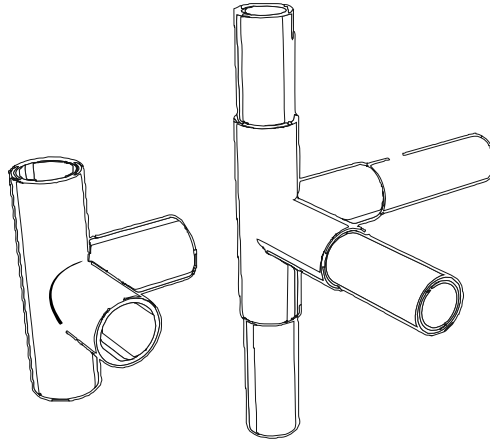
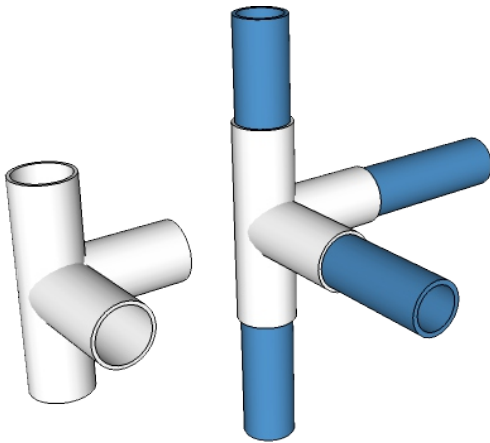
2D SKETCH

PARALLEL JOINT.

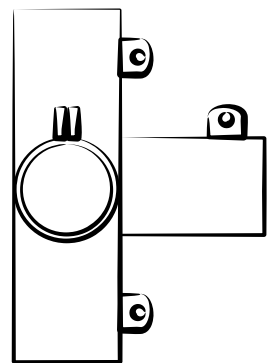
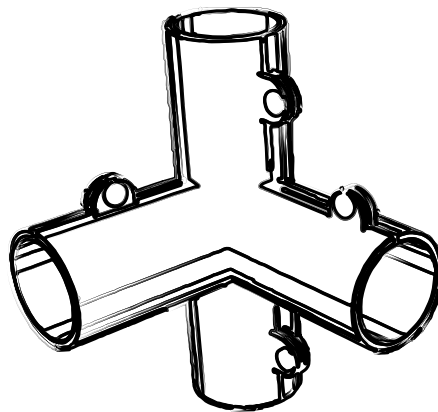
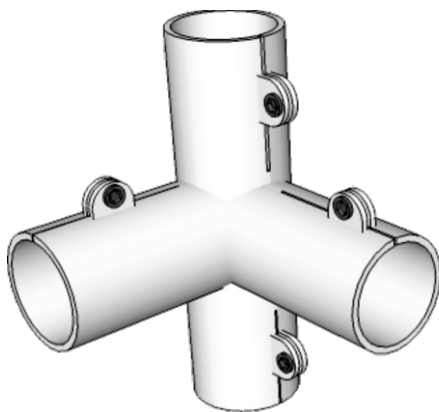
TIGHTEN WITH
ALLEN KEY



THREE WAY JOINT.



FOUR WAY JOINT.

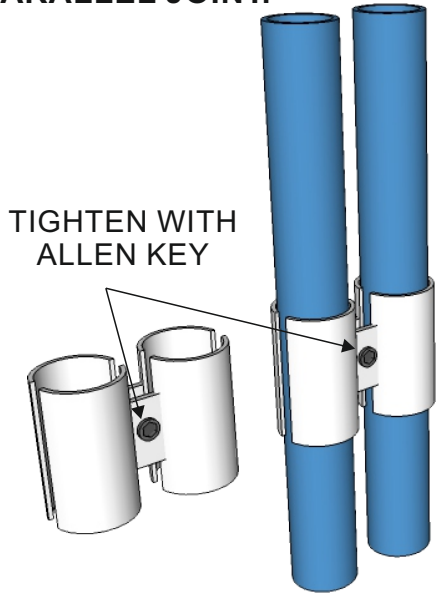


ORIGINAL
DRAWING

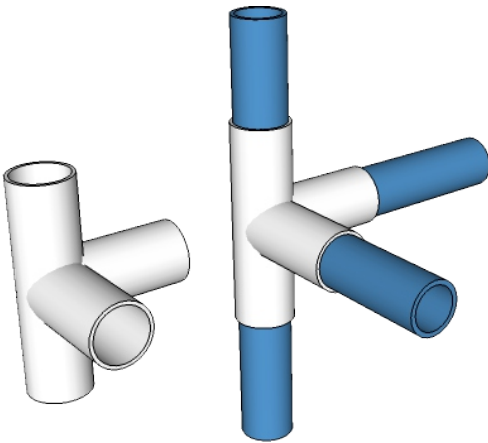
3D SKETCH

2D SKETCH

PARALLEL JOINT.



THREE WAY JOINT.



FOUR WAY JOINT.

