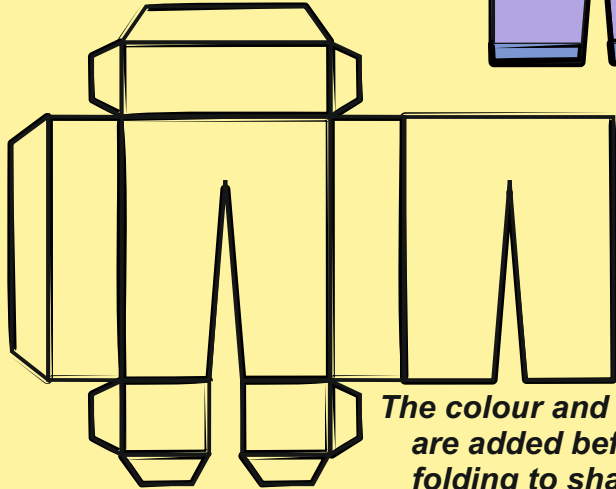
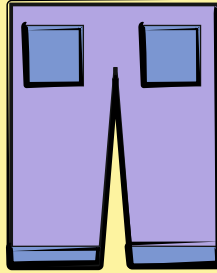


FANTASY PAPER TOY CHARACTERS - FOUR PIECE DESIGN

WORLD ASSOCIATION OF TECHNOLOGY TEACHERS <https://www.facebook.com/groups/254963448192823/> www.technologystudent.com © 2017 V.Ryan © 2017

1 TROUSERS / LEGS

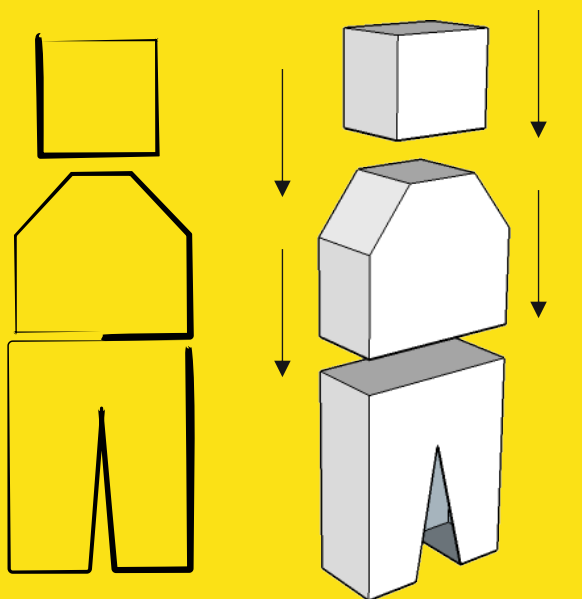
The colour scheme gives the impression that the character is wearing jeans.



The colour and detail are added before folding to shape.

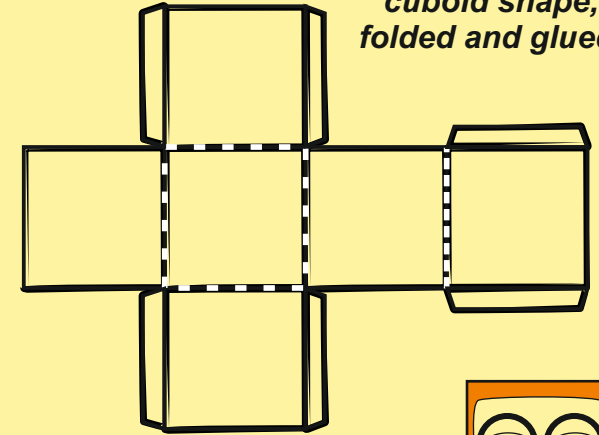
THE BASIC CONCEPT

This is a four piece design. Nets / developments have been designed for the three main parts - the head, upper body and legs/trousers

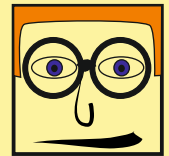


2 HEAD

The head is a cuboid shape, folded and glued.

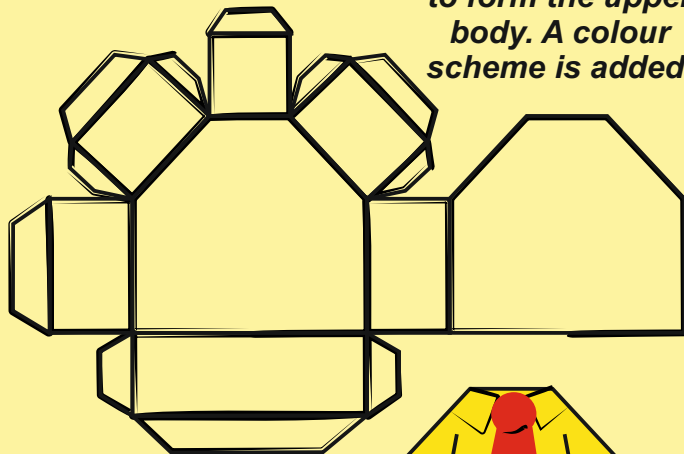


Facial characteristics are added with pencils, fine pens and even colour card.

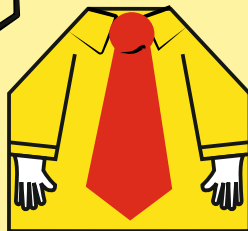


3 UPPER BODY

A complicated shape, but it folds to form the upper body. A colour scheme is added.



Detail can be drawn onto the front of the 3D shape, before it is glued together.



TRY THE GRAPHICS SECTION OF www.technologystudent.com for detailed revision materials

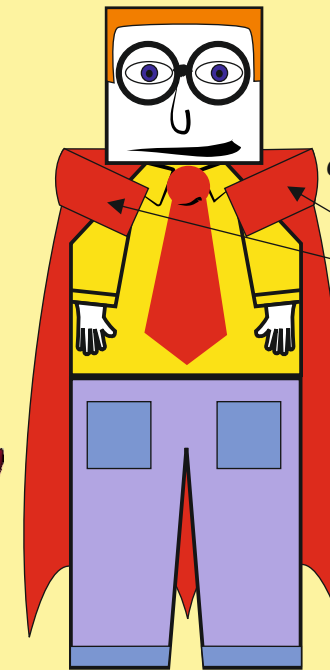
4 SUPER HERO CLOAK

Any appropriate design for a superhero can be drawn onto this shape. The 'cloak' folds round the character.



The final design:

The three main parts are glued together, producing a character that stands up.

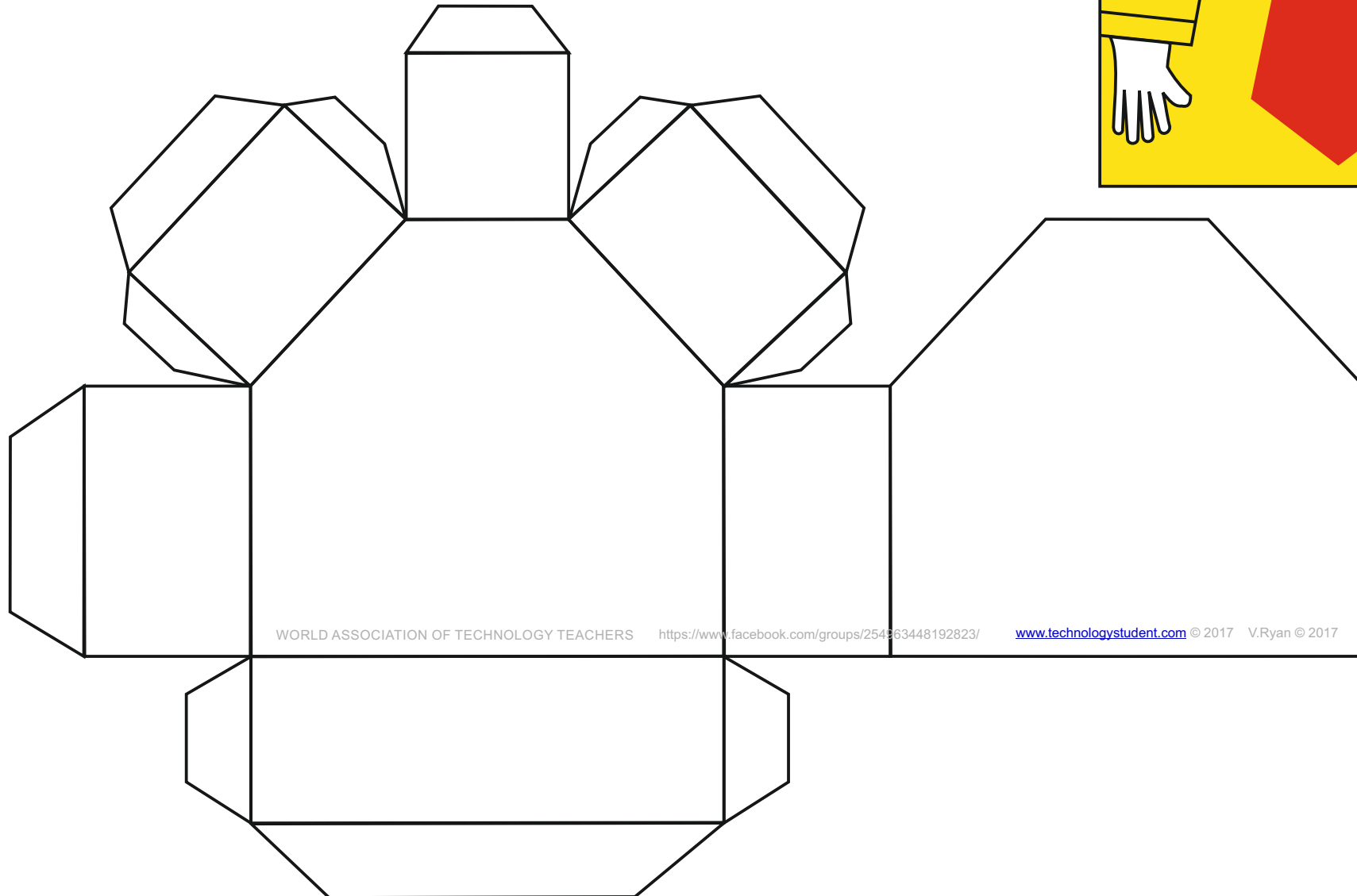
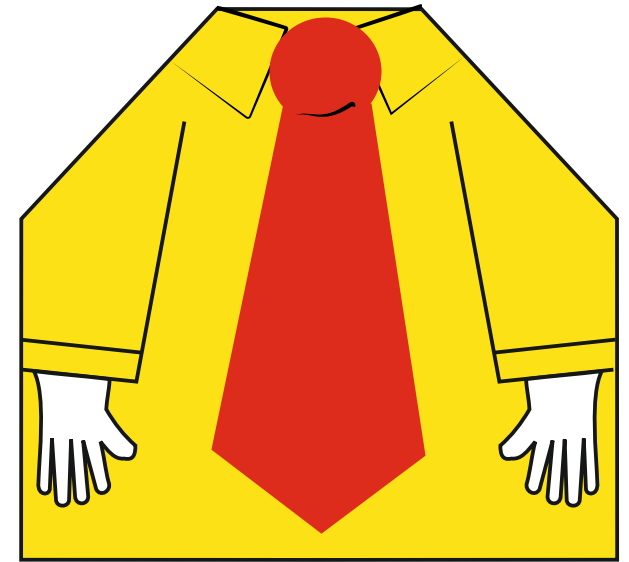


TABS

The cloak is simple wrapped round the character and the two tabs are glued on to the 'shoulders'.

UPPER BODY NET / DEVELOPMENT

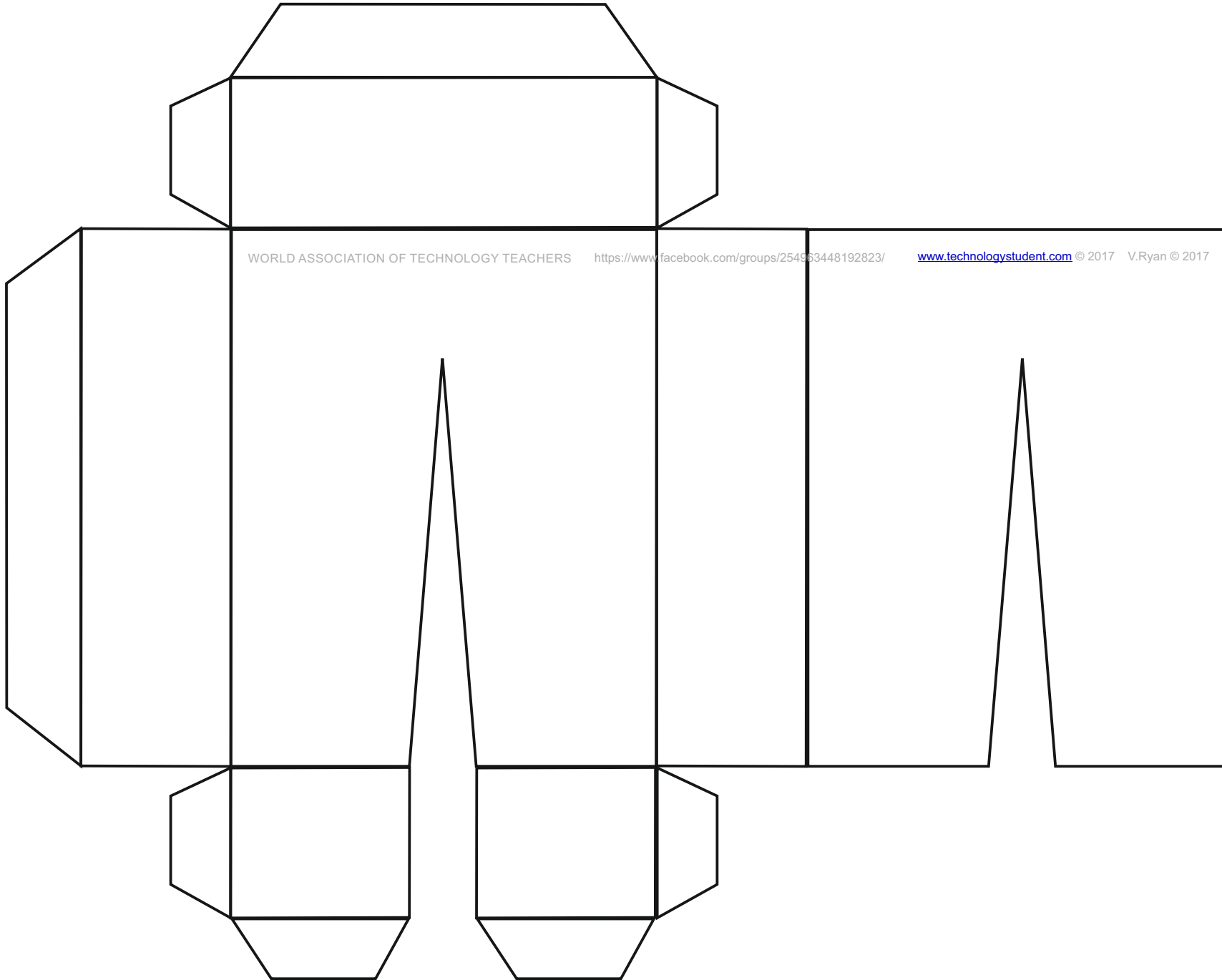
WORLD ASSOCIATION OF TECHNOLOGY TEACHERS <https://www.facebook.com/groups/254963448192823/> www.technologystudent.com © 2017 V.Ryan © 2017



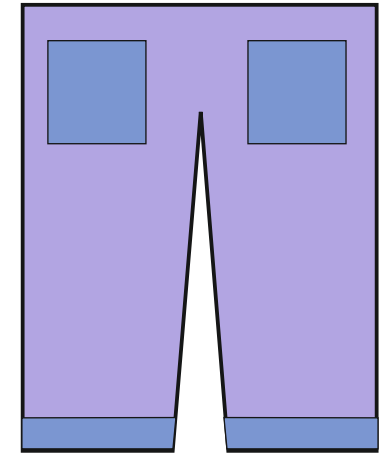
WORLD ASSOCIATION OF TECHNOLOGY TEACHERS <https://www.facebook.com/groups/254963448192823/> www.technologystudent.com © 2017 V.Ryan © 2017

TROUSER / LEGS - NET / DEVELOPMENT

WORLD ASSOCIATION OF TECHNOLOGY TEACHERS <https://www.facebook.com/groups/254963448192823/> www.technologystudent.com © 2017 V.Ryan © 2017

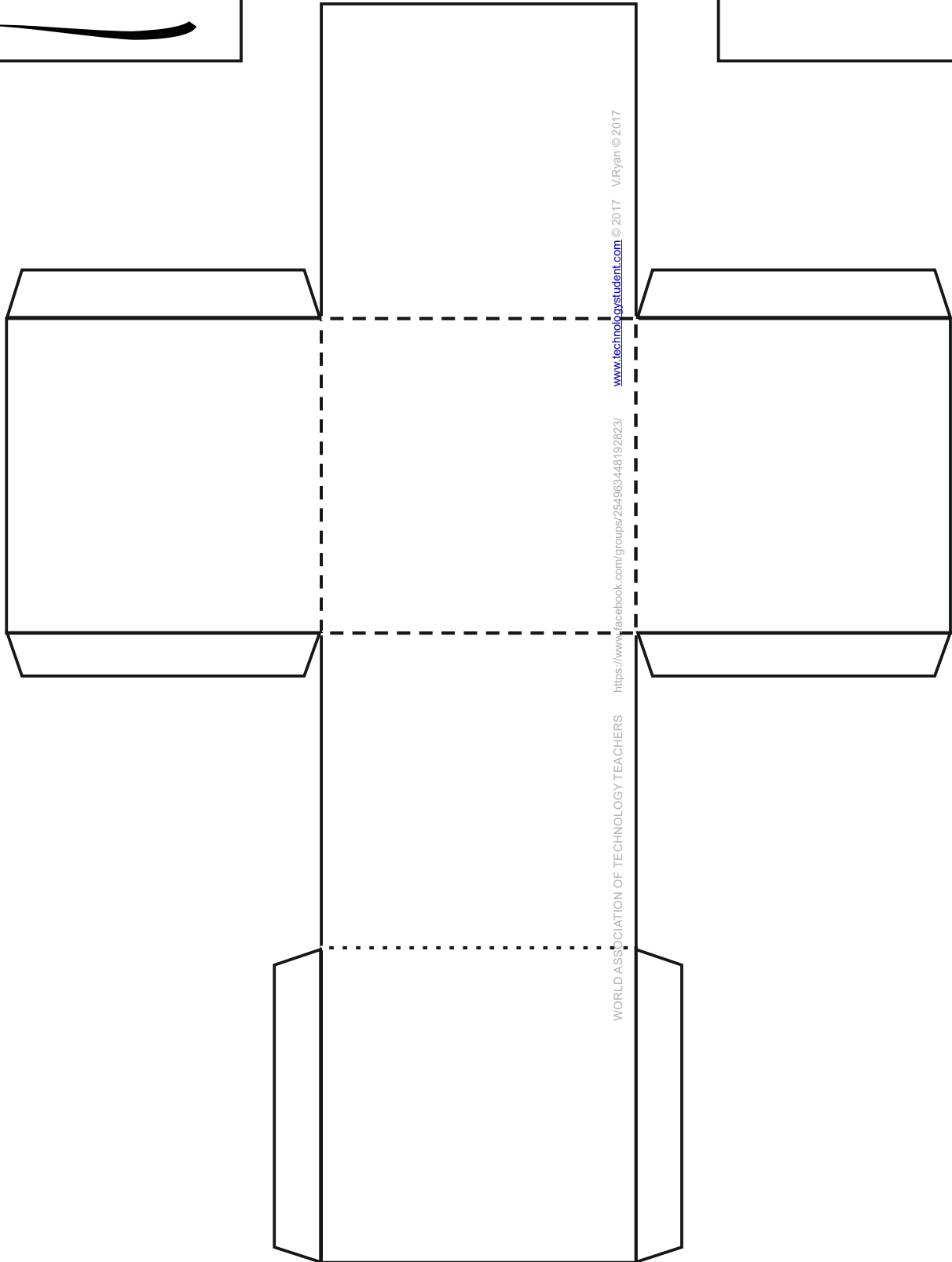
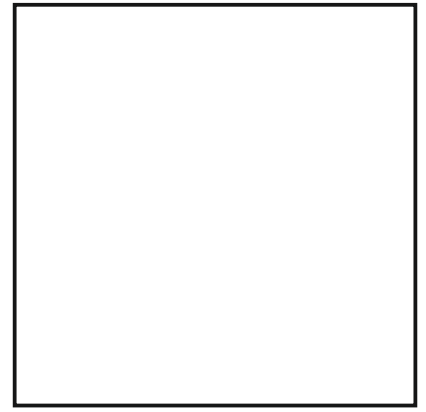
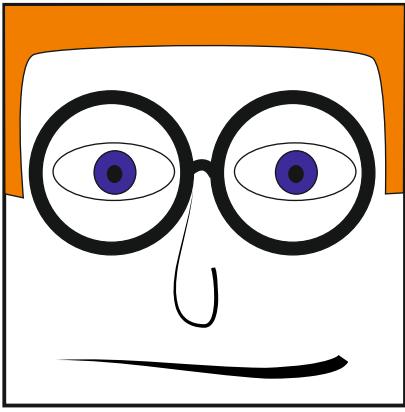


WORLD ASSOCIATION OF TECHNOLOGY TEACHERS <https://www.facebook.com/groups/254963448192823/> www.technologystudent.com © 2017 V.Ryan © 2017



HEAD NET / DEVELOPMENT

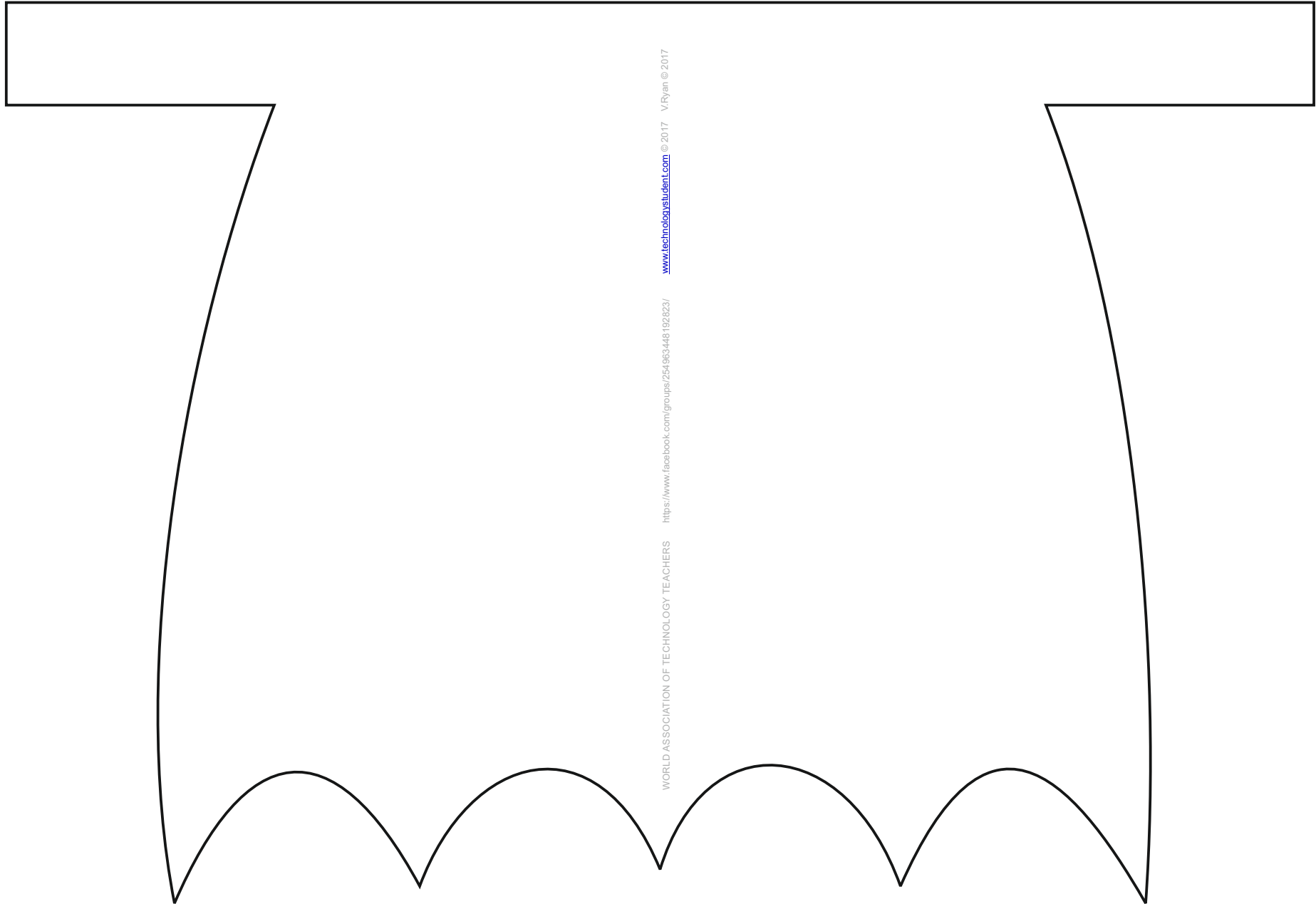
WORLD ASSOCIATION OF TECHNOLOGY TEACHERS <https://www.facebook.com/groups/254963448192823/> www.technologystudent.com © 2017 V.Ryan © 2017



WORLD ASSOCIATION OF TECHNOLOGY TEACHERS <https://www.facebook.com/groups/254963448192823/> www.technologystudent.com © 2017 V.Ryan © 2017

CLOAK NET / DEVELOPMENT

WORLD ASSOCIATION OF TECHNOLOGY TEACHERS <https://www.facebook.com/groups/254963448192823/> www.technologystudent.com © 2017 V.Ryan © 2017



WORLD ASSOCIATION OF TECHNOLOGY TEACHERS <https://www.facebook.com/groups/254963448192823/> www.technologystudent.com © 2017 V.Ryan © 2017