

1

WRITE A FEW FACTS ABOUT PLAIN AND WEDGED MORTISE AND TENON JOINTS?

2

WHAT TOOLS AND EQUIPMENT DO YOU NEED TO PRODUCE A MORTISE AND TENON JOINT?

3

SKETCH A WEDGED MORTISE AND TENON JOINT (SEE ABOVE FOR AN EXAMPLE)

5

PASTE / DRAW AN IMAGE OF THE PRACTICAL APPLICATION YOU DESCRIBED BELOW

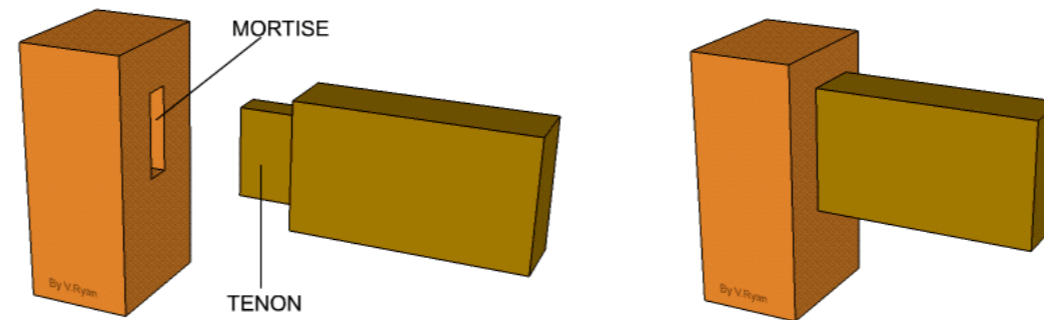
4

DESCRIBE A PRACTICAL APPLICATION OF ONE OF THE JOINTS

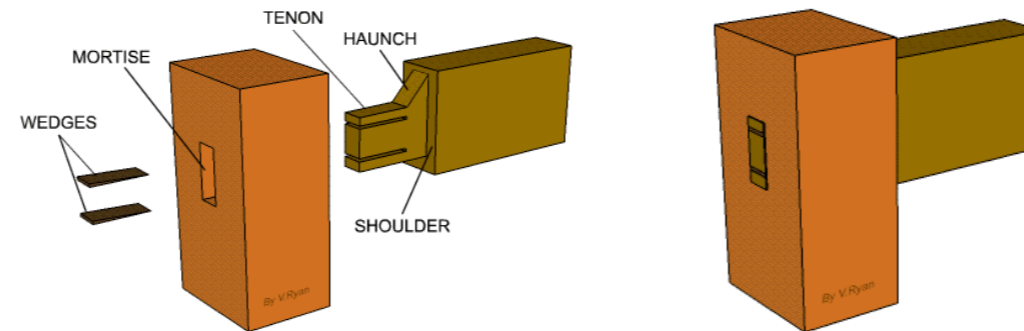
(You may need to search the internet)

MORTISE AND TENON JOINTS

PLAIN MORTISE AND TENON



WEDGED MORTISE AND TENON



ESSENTIAL LINK:

<http://technologystudent.com/joints/mort1.htm>

<http://technologystudent.com/pdf16/Mortise%20and%20tenon1.pdf>