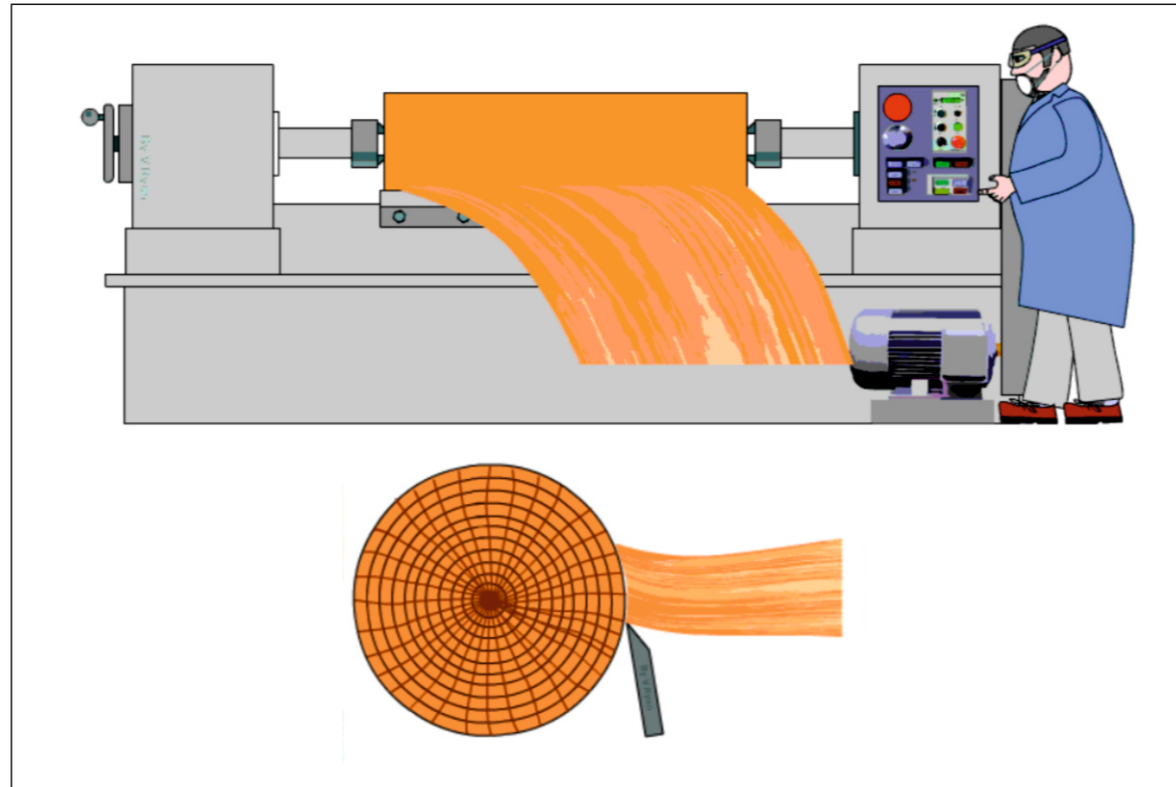


1

WHAT IS VENEER?

VENEER



5

FIND AN IMAGE OF A PRODUCT THAT HAS BEEN VENEERED

2

SCALE OF MANUFACTURE SUITED TO PRODUCING VENEER (✓)
(More than one tick may be required)

- ONE OFF / SINGLE ITEM
- BATCH PRODUCTION
- CONTINUOUS PRODUCTION
- JUST IN TIME (JIT)
- COMPUTER INTEGRATED MANUFACTURE
- REMOTE MANUFACTURING
- FLEXIBLE MANUFACTURING
- LEAN MANUFACTURING

3

PRODUCE A SKETCH THAT REPRESENTS VENEER PRODUCTION (SEE ABOVE)

4

DESCRIBE THE PRACTICAL APPLICATION OF VENEER
