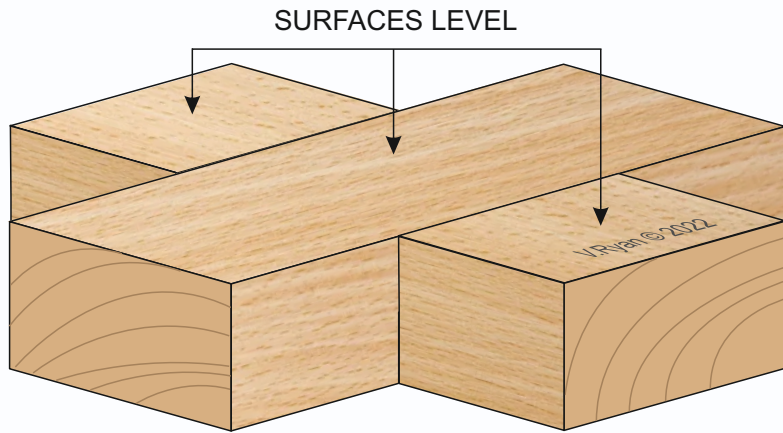


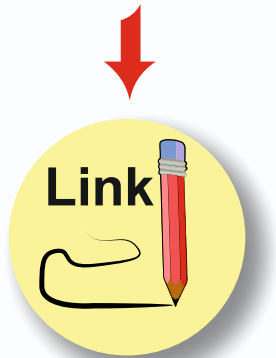
CROSS HALVING JOINT - ASSEMBLED VIEW



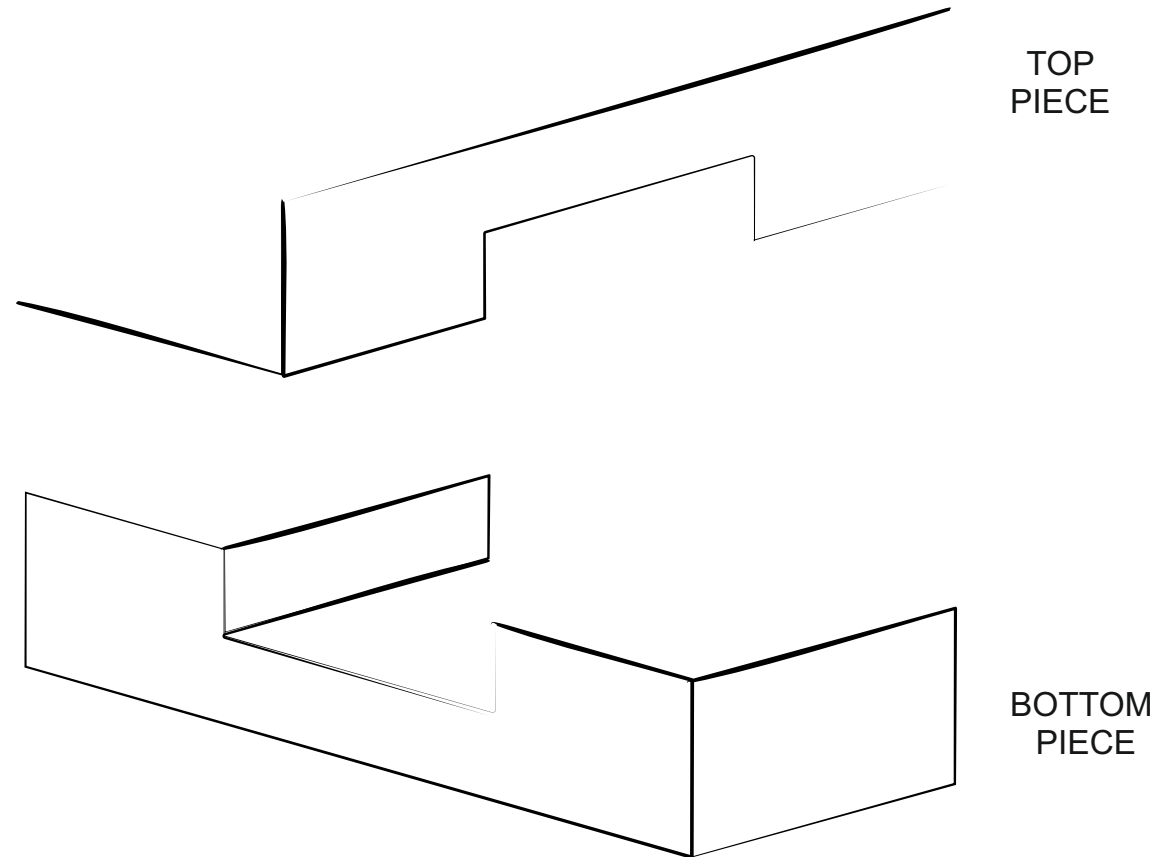
Detailed drawings of a common woodworking joint called a cross halving joint, are seen opposite.

Using a ruler and pencil / ink pen OR freehand (without a ruler), complete the sketch of the exploded view.

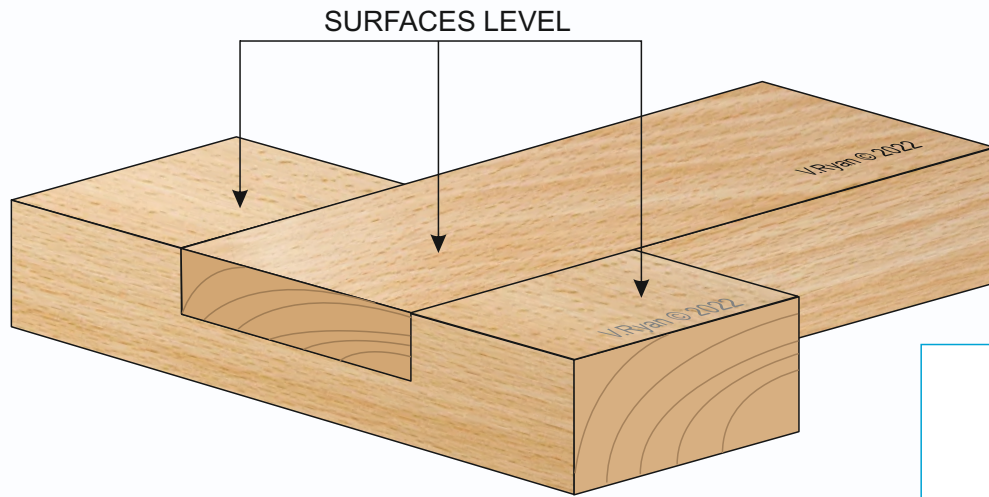
HELPFUL LINK



YOUR - EXPLODED VIEW



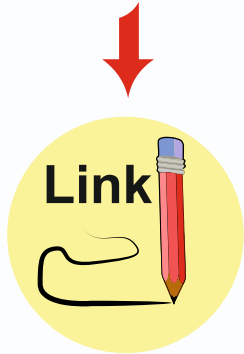
TEE HALVING JOINT - ASSEMBLED VIEW



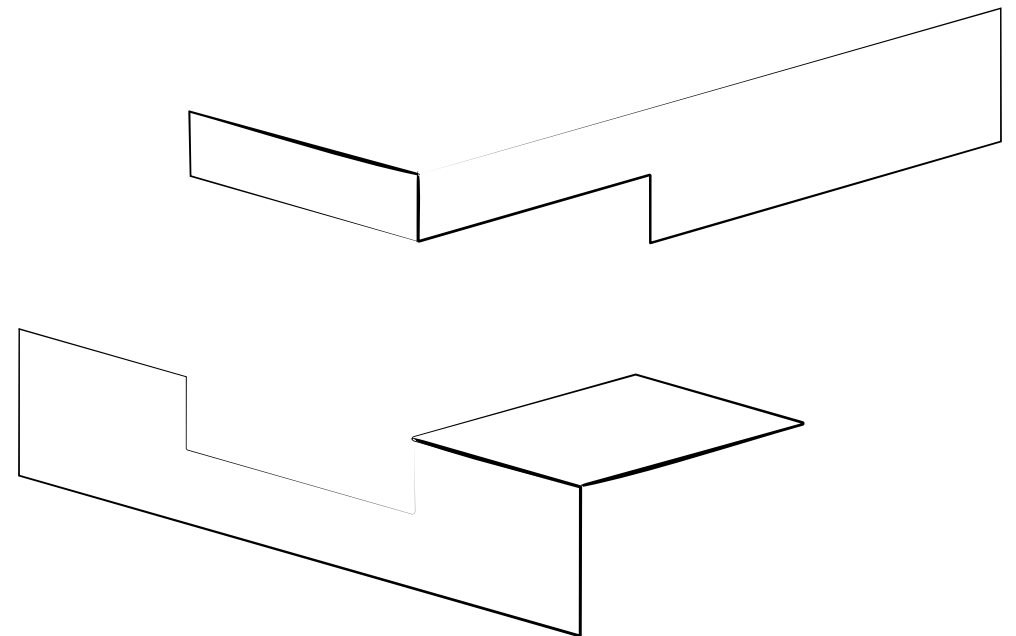
Detailed drawings of a common woodworking joint called a tee halving joint, are seen opposite.

Using a ruler and pencil / ink pen OR freehand (without a ruler), complete the sketch of the exploded view.

HELPFUL LINK

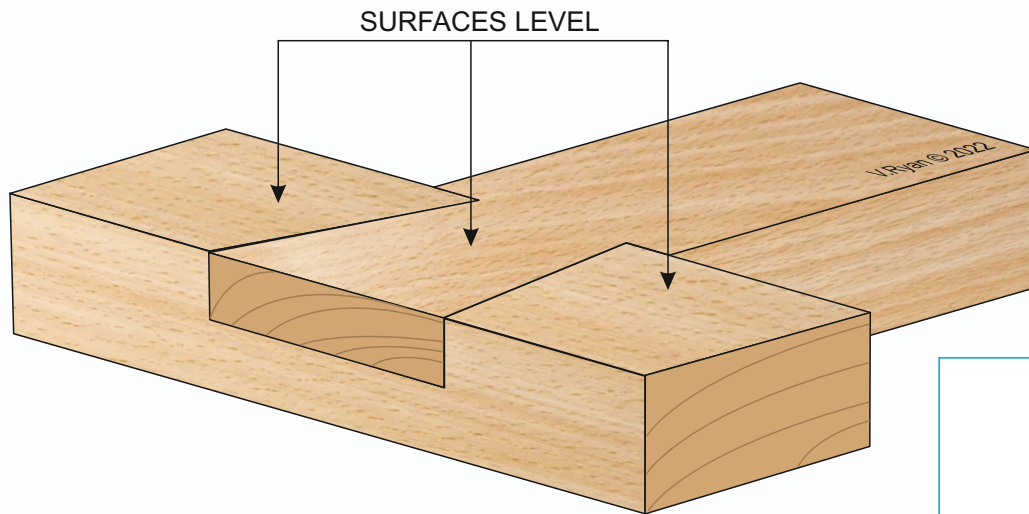


YOUR - EXPLODED VIEW



DOVETAIL HALVING JOINT

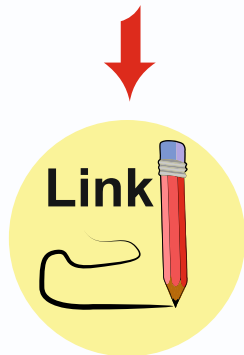
DOVETAIL HALVING JOINT - ASSEMBLED VIEW



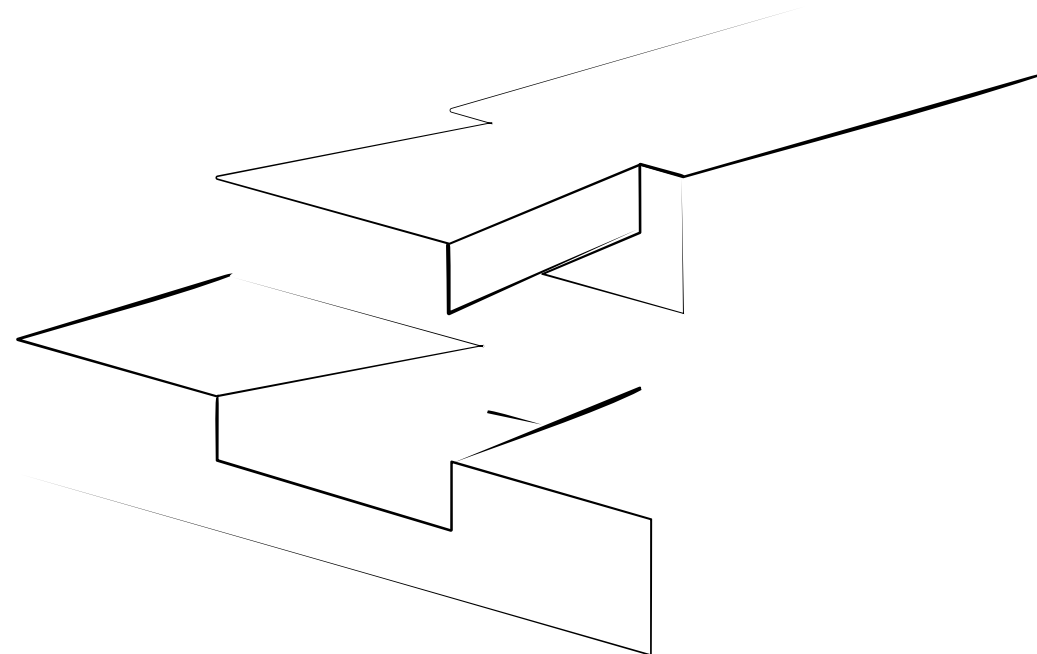
Detailed drawings of a common woodworking joint called a dovetail halving joint, are seen opposite.

Using a ruler and pencil / ink pen OR freehand (without a ruler), complete the sketch of the exploded view.

HELPFUL LINK

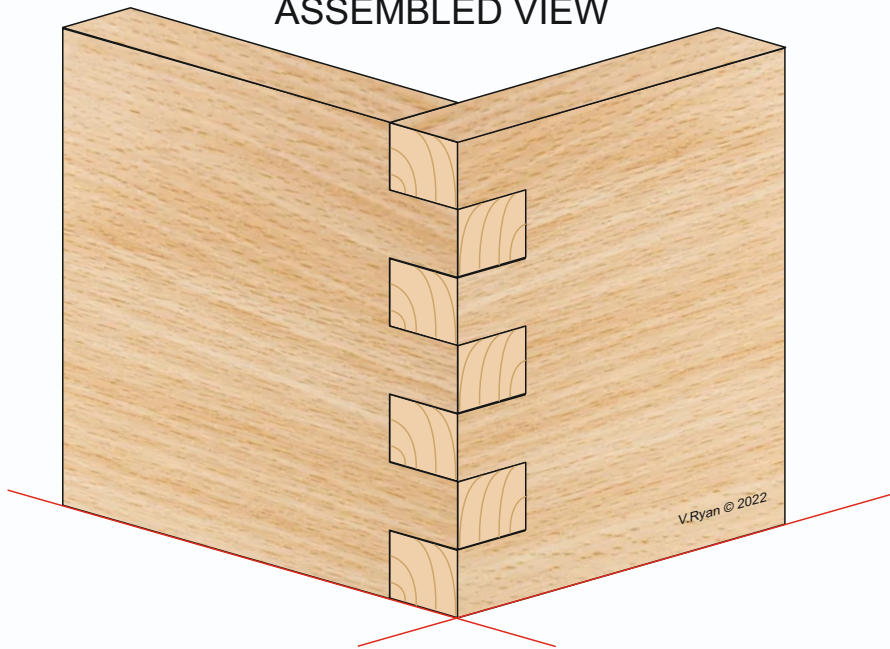


YOUR - EXPLODED VIEW



FINGER / COMB JOINT

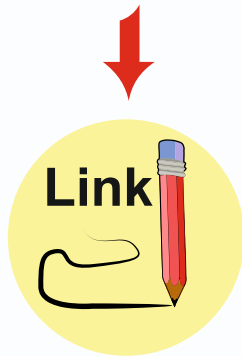
ASSEMBLED VIEW



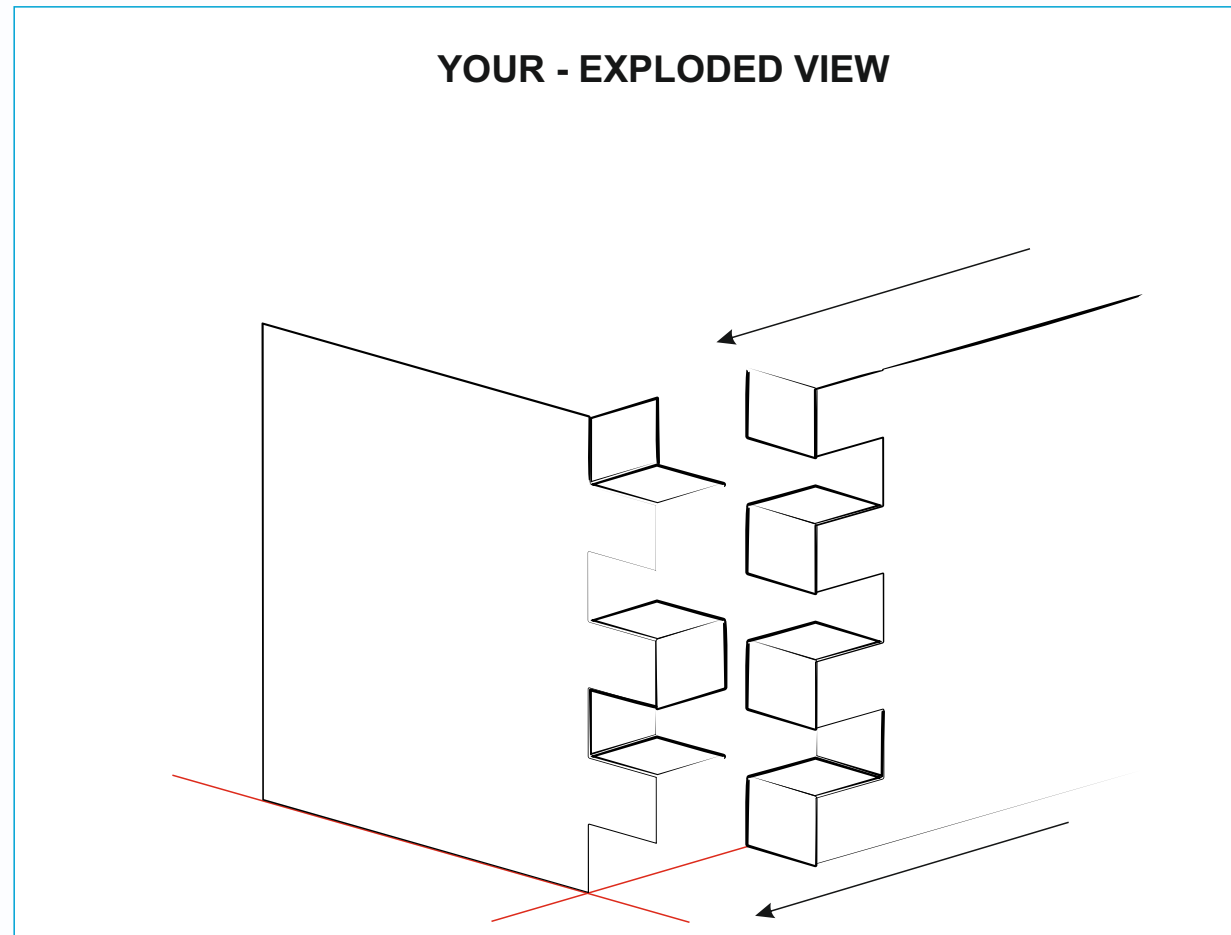
Detailed drawings of a common woodworking joint called a finger / comb joint, are seen opposite.

Using a ruler and pencil / ink pen OR freehand (without a ruler), complete the sketch of the exploded view.

HELPFUL LINK

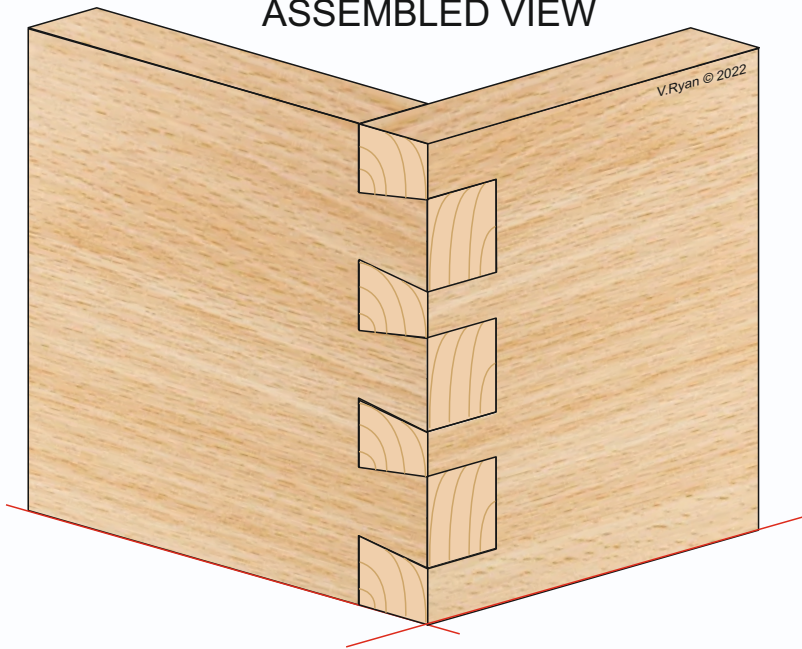


YOUR - EXPLODED VIEW



THROUGH DOVETAIL JOINT

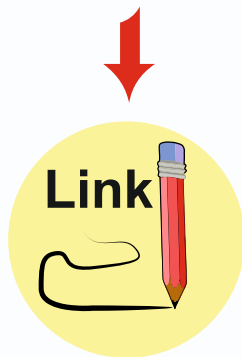
ASSEMBLED VIEW



Detailed drawings of a common woodworking joint called a through dovetail joint, are seen opposite.

Using a ruler and pencil / ink pen OR freehand (without a ruler), complete the sketch of the exploded view.

HELPFUL LINK



YOUR - EXPLODED VIEW

