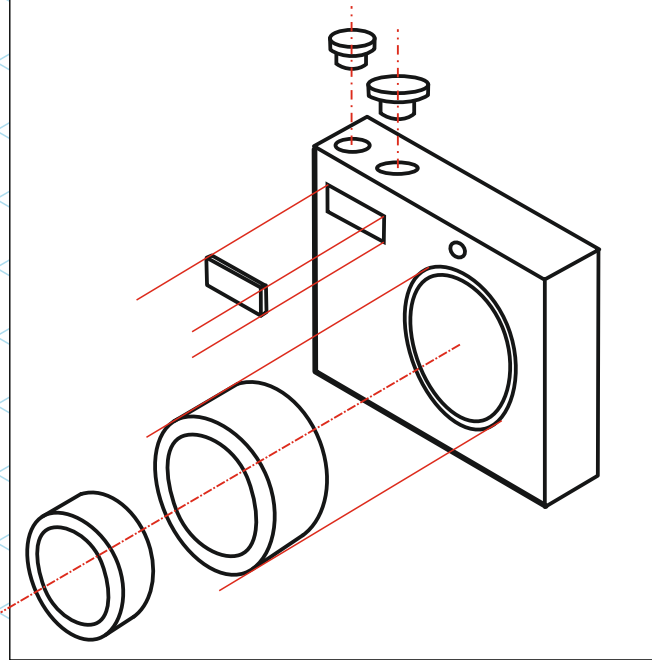
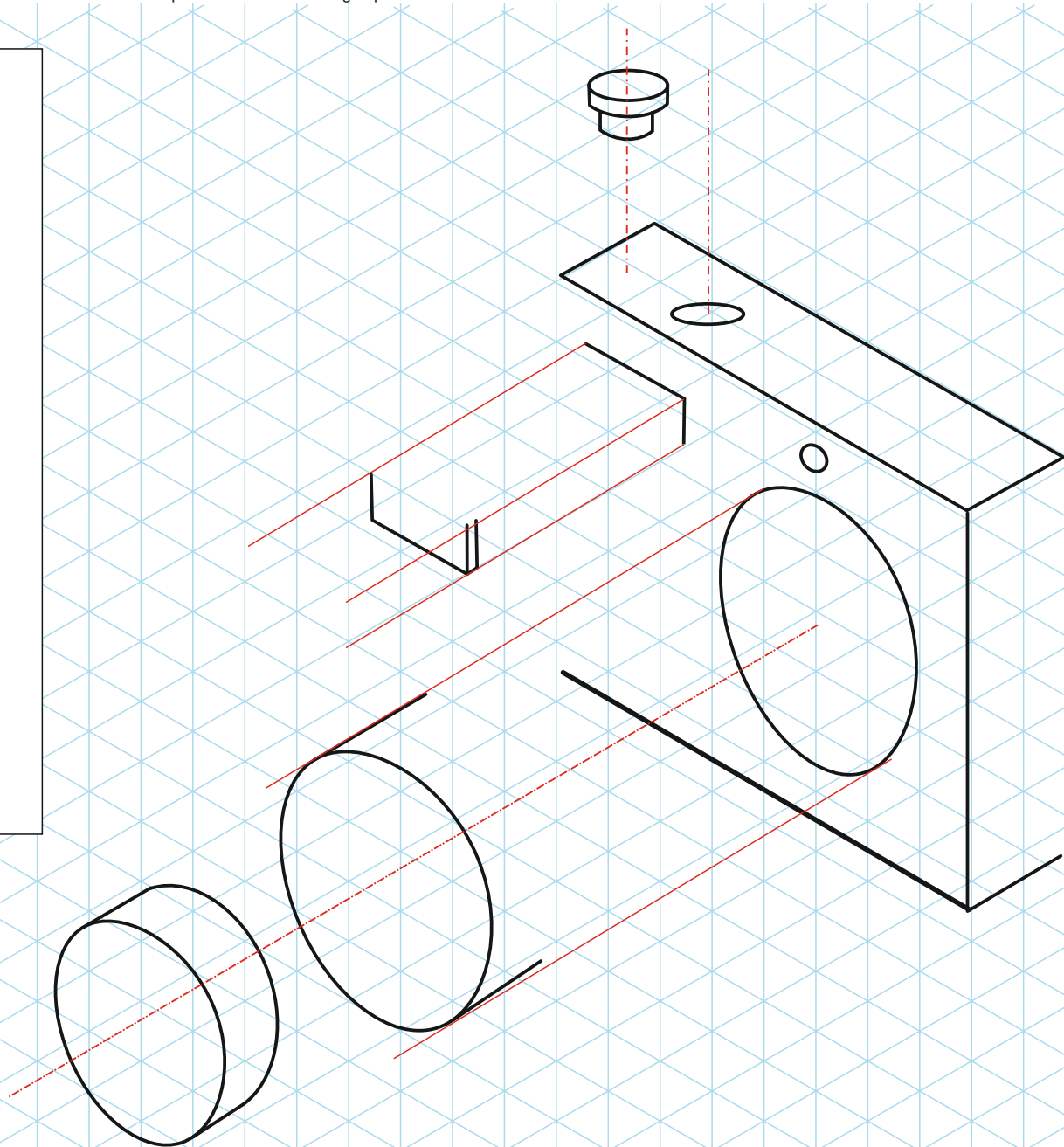


EXPLODED DRAWING USING ISOMETRIC PAPER

**COMPLETE THE ISOMETRIC
DRAWING OF A SIMPLE
CAMERA, BY ADDING THE
MISSING LINES / PARTS.
(Answer seen below)**

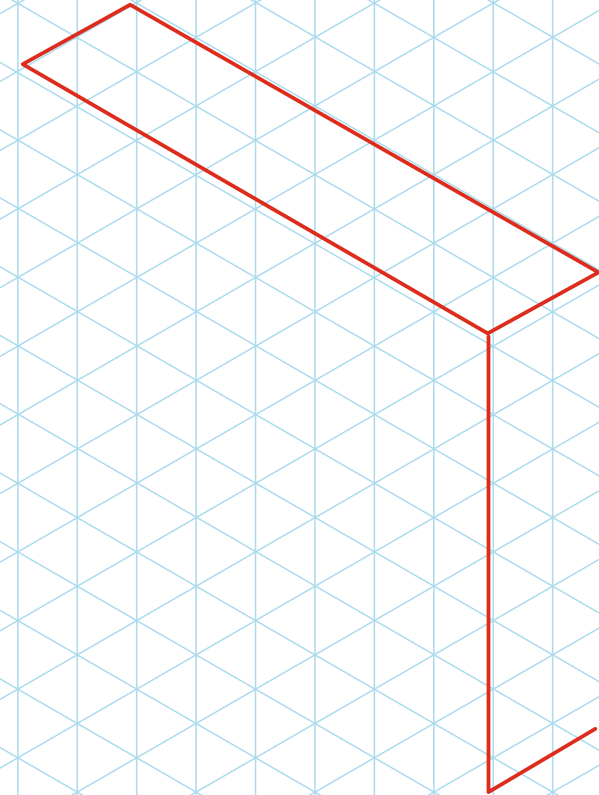
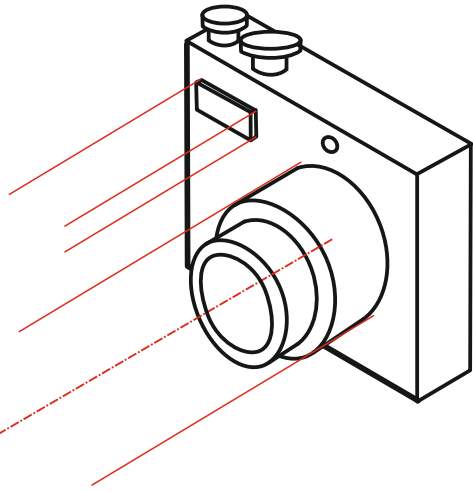


HELPFUL LINK



EXPLODED DRAWING USING ISOMETRIC PAPER

DRAW AN EXPLODED VIEW OF THE CAMERA SHOWN BELOW OR ONE OF YOUR OWN DESIGN. THE STARTING POINT IS ALREADY DRAWN ON THE ISOMETRIC PAPER.



HELPFUL LINK

