

# USING TENSOL CEMENT

HELPFUL LINK: <https://www.technologystudent.com/equip1/glueplas1.htm>

Complete the sequence drawing showing the use of Tensol Cement, by adding the missing explanations. Also, answer the additional questions (6&7).

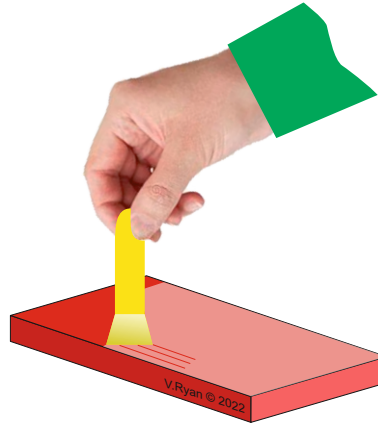


1.

---

---

---

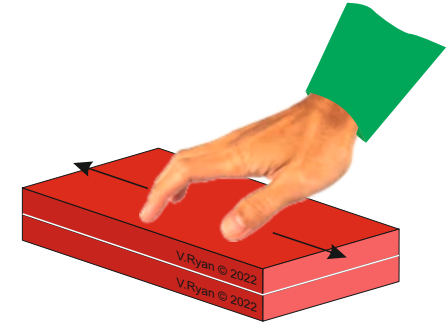


2.

---

---

---

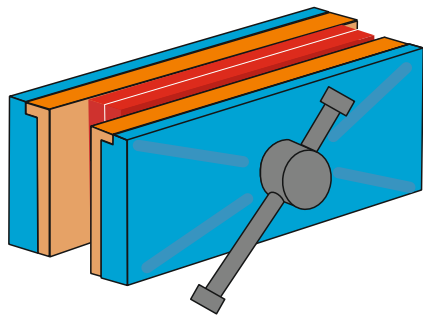


3.

---

---

---



4.

---

---

---

Tensol Cement tends to 'give off' fumes. Why is this a safety issue?

5.

---

---

When using Tensol Cement, how would you ensure that the glue is used safely and that the workshop did not suffer from a build-up of dangerous fumes?

6.

---

---

---