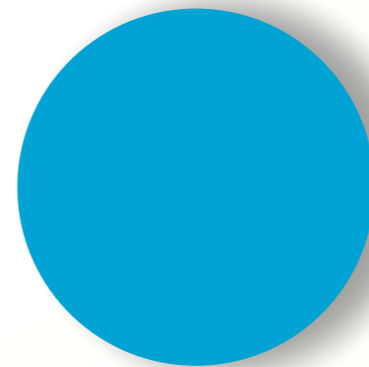


# COMMON MARKING OUT TOOLS WOOD, METAL AND PLASTICS

TO ANSWER ALL THE QUESTIONS, YOU WILL NEED TO  
DOWNLOAD THE “COMMON MARKING OUT TOOLS - WOOD,  
METAL AND PLASTIC” APP, FROM THE INTERACTIVE MOBILE  
APP SECTION OF [www.technologystudent.com](http://www.technologystudent.com)

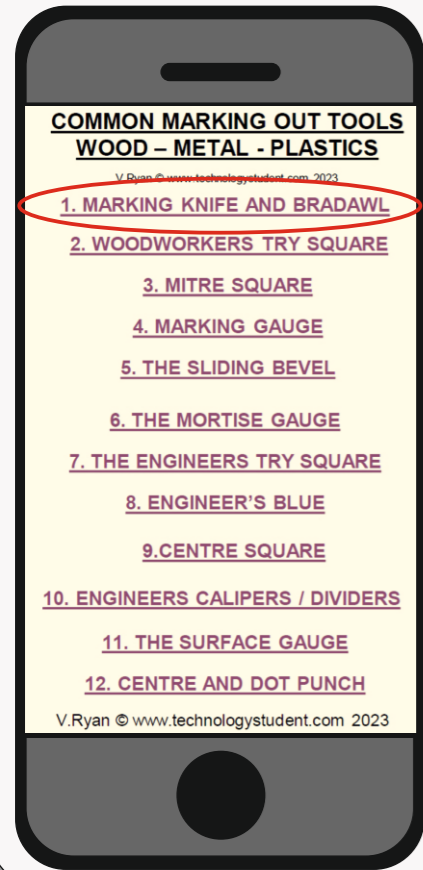
**CLICK ON THE  
BUTTON  
TO DOWNLOAD  
THE APP**



Once you have downloaded the App, you can use it to navigate the website. You may need to follow the links on each page of the App, to research / complete answers to all the questions.

IF YOU ARE AN EDUCATOR, CONSIDER JOINING US AT FACEBOOK – WORLD ASSOCIATION OF TECHNOLOGY TEACHERS

<https://www.facebook.com/groups/254963448192823/>



### WOODWORKER'S MARKING KNIFE

TO ANSWER ALL THE QUESTIONS YOU WILL NEED TO DOWNLOAD THE 'COMMON MARKING OUT TOOLS' APP, FROM THE INTERACTIVE MOBILE APP SECTION OF [www.technologystudent.com](http://www.technologystudent.com)

**LINK**

<https://www.technologystudent.com/mobapps/markings-out-tools1.pdf>

Once you have downloaded the App, you can use it to navigate the website. You may need to follow the links on each page of the App, to research / complete answers to all the questions.

**ARE YOU READY?  
USE THE MOBILE App!!**

1

### BELOW, WRITE A EXPLANATION OF THE WOODWORKER'S MARKING KNIFE.

Paste / sketch an image of a typical marking knife opposite.



### MARKING KNIFE IMAGE

---

---

---

---

---

---

---

---

---

---

2

### DESCRIBE WHEN AND HOW A BRADAWL IS USED.

Use the box opposite for sketches to support your answer.



### YOUR SKETCHES

HELPFUL LINK: <https://www.technologystudent.com/mobapps/markings-out-tools1.pdf>

### WOODWORKER'S TRY SQUARE

TO ANSWER ALL THE QUESTIONS YOU WILL NEED TO DOWNLOAD THE 'COMMON MARKING OUT TOOLS' APP, FROM THE INTERACTIVE MOBILE APP SECTION OF [www.technologystudent.com](http://www.technologystudent.com)

**LINK**

<https://www.technologystudent.com/mobapps/markings-out-tools1.pdf>

Once you have downloaded the App, you can use it to navigate the website. You may need to follow the links on each page of the App, to research / complete answers to all the questions.

**ARE YOU READY?  
USE THE MOBILE App!!**

1

WRITE A GENERAL DESCRIPTION OF THE WOODWORKER'S TRY SQUARE SHOWN OPPOSITE.

---

---

---

---

---

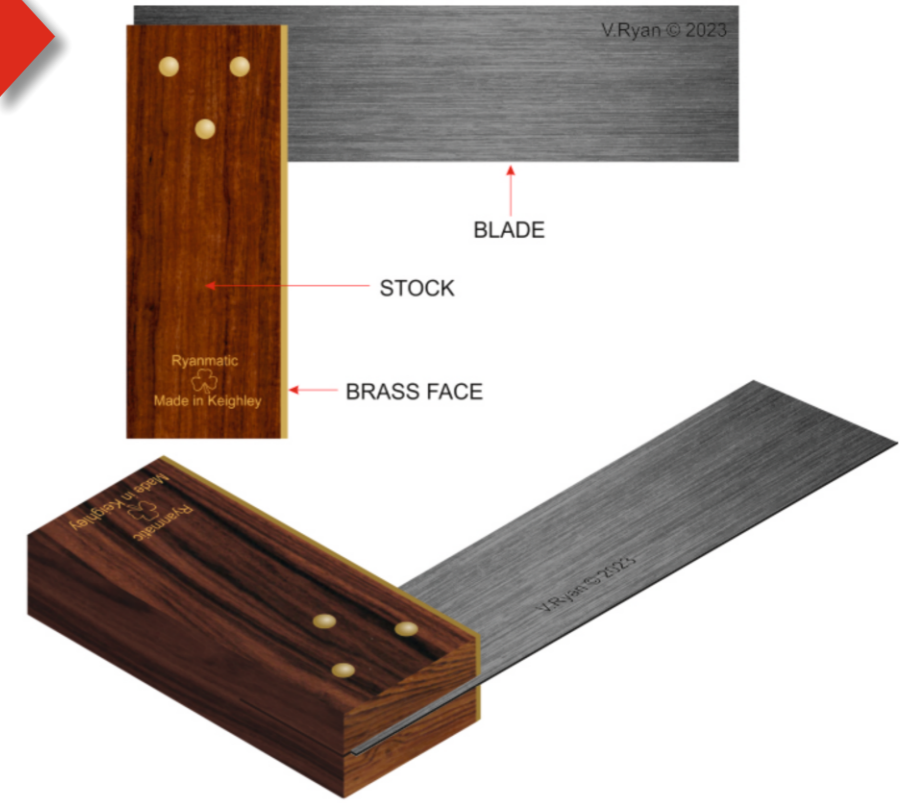
---

---

---

---

---



2

DESCRIBE HOW THE WOODWORKER'S TRY SQUARE IS USED TO MARK OUT MATERIAL

Use the box opposite for sketches to support your answer



YOUR SKETCHES

---

---

---

---

---

---

---

---

---

---

HELPFUL LINK: <https://www.technologystudent.com/mobapps/markings-out-tools1.pdf>

## THE MITRE SQUARE

TO ANSWER ALL THE QUESTIONS YOU WILL NEED TO DOWNLOAD THE 'COMMON MARKING OUT TOOLS' APP, FROM THE INTERACTIVE MOBILE APP SECTION OF [www.technologystudent.com](http://www.technologystudent.com)

### LINK

<https://www.technologystudent.com/mobapps/markings-out-tools1.pdf>

Once you have downloaded the App, you can use it to navigate the website. You may need to follow the links on each page of the App, to research / complete answers to all the questions.

**ARE YOU READY?  
USE THE MOBILE App!!**

1

WRITE A GENERAL DESCRIPTION OF THE MITRE SQUARE, SHOWN OPPOSITE.

---

---

---

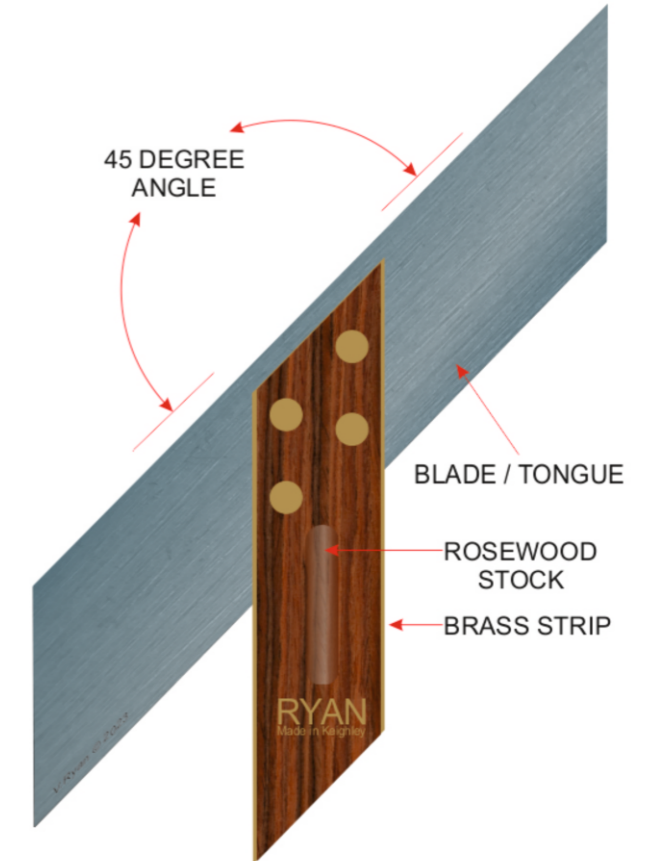
---

---

---

---

---



2

DESCRIBE HOW THE MITRE SQUARE IS USED TO MARK OUT MATERIAL

Use the box opposite for sketches to support your answer



YOUR SKETCHES

---

---

---

---

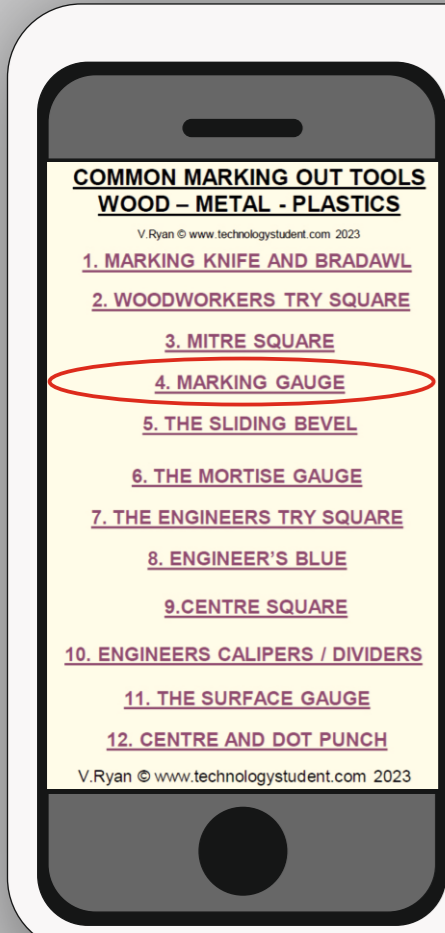
---

---

---

---

HELPFUL LINK: <https://www.technologystudent.com/mobapps/markings-out-tools1.pdf>



## THE MARKING GAUGE

TO ANSWER ALL THE QUESTIONS YOU WILL NEED TO DOWNLOAD THE 'COMMON MARKING OUT TOOLS' APP, FROM THE INTERACTIVE MOBILE APP SECTION OF [www.technologystudent.com](http://www.technologystudent.com)

### LINK

<https://www.technologystudent.com/mobapps/markings-out-tools1.pdf>

Once you have downloaded the App, you can use it to navigate the website. You may need to follow the links on each page of the App, to research / complete answers to all the questions.

**ARE YOU READY?  
USE THE MOBILE App!!**

1

WRITE A GENERAL DESCRIPTION OF THE MARKING GAUGE, SHOWN OPPOSITE.

---

---

---

---

---

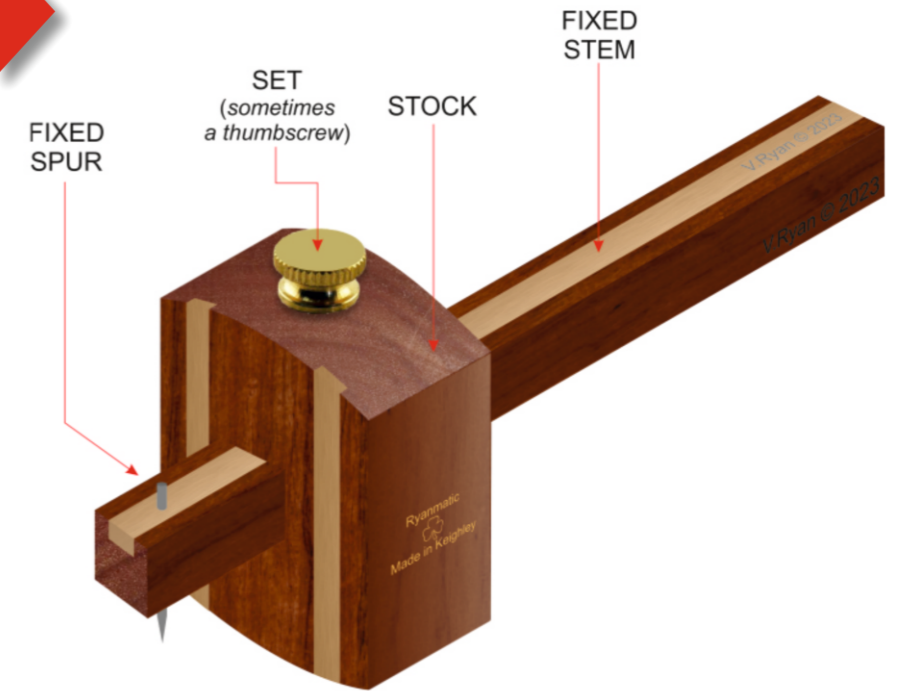
---

---

---

---

---



2

DESCRIBE HOW THE MARKING GAUGE IS USED TO MARK OUT MATERIAL

Use the box opposite for sketches to support your answer



YOUR SKETCHES

---

---

---

---

---

---

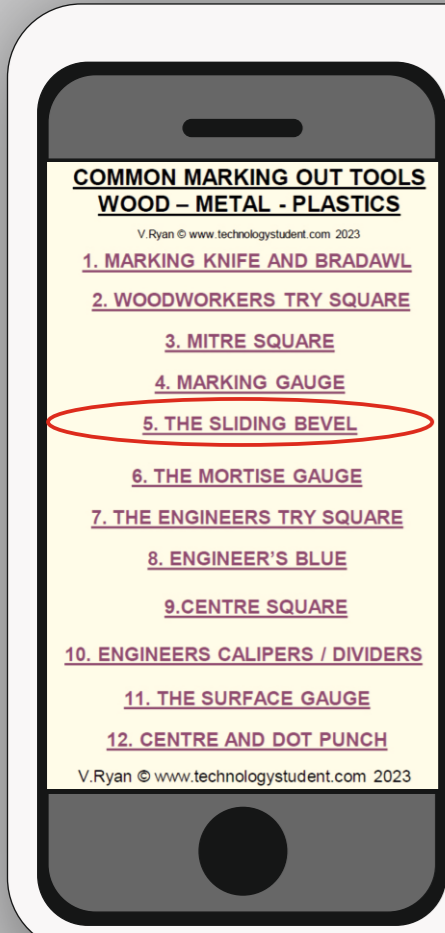
---

---

---

---

HELPFUL LINK: <https://www.technologystudent.com/mobapps/markings-out-tools1.pdf>



### THE SLIDING BEVEL

TO ANSWER ALL THE QUESTIONS YOU WILL NEED TO DOWNLOAD THE 'COMMON MARKING OUT TOOLS' APP, FROM THE INTERACTIVE MOBILE APP SECTION OF [www.technologystudent.com](http://www.technologystudent.com)

**LINK**

<https://www.technologystudent.com/mobapps/markings-out-tools1.pdf>

Once you have downloaded the App, you can use it to navigate the website. You may need to follow the links on each page of the App, to research / complete answers to all the questions.

**ARE YOU READY?  
USE THE MOBILE App!!**

1

WRITE A GENERAL DESCRIPTION OF THE SLIDING BEVEL, SHOWN OPPOSITE.

---

---

---

---

---

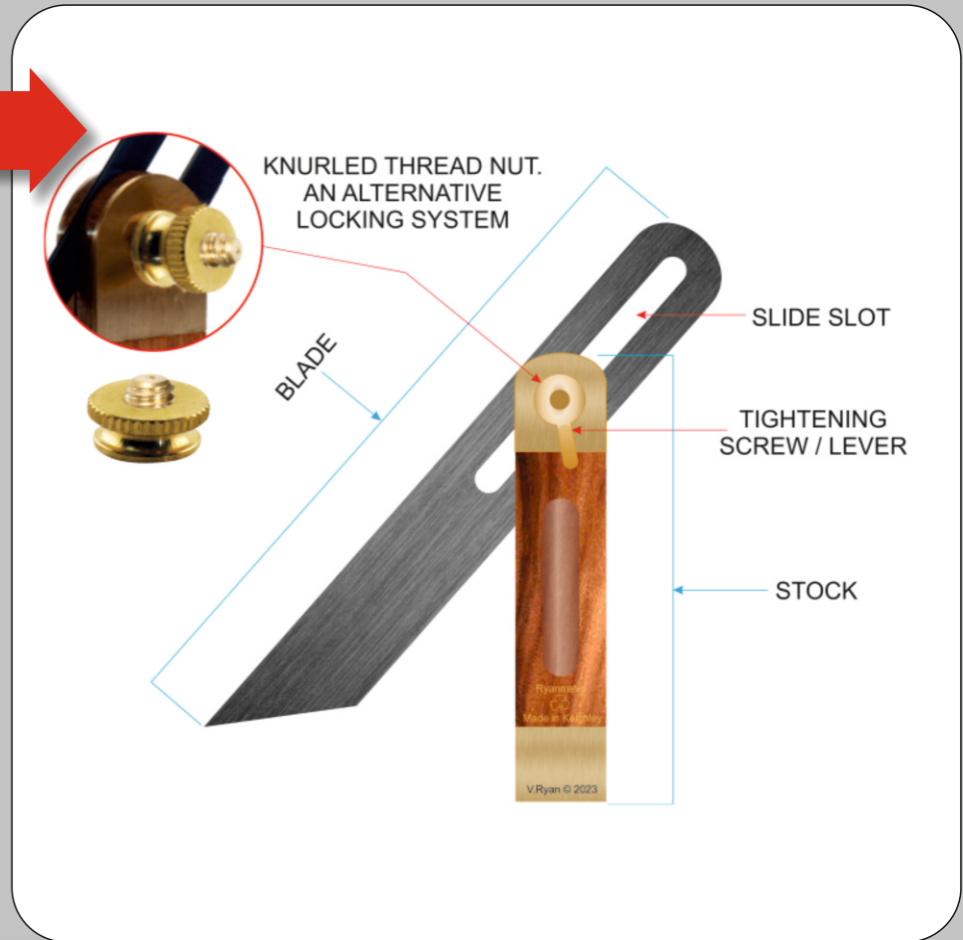
---

---

---

---

---



2

DESCRIBE HOW THE SLIDING BEVEL IS USED TO MARK OUT MATERIAL

Use the box opposite for sketches to support your answer



YOUR SKETCHES

---

---

---

---

---

---

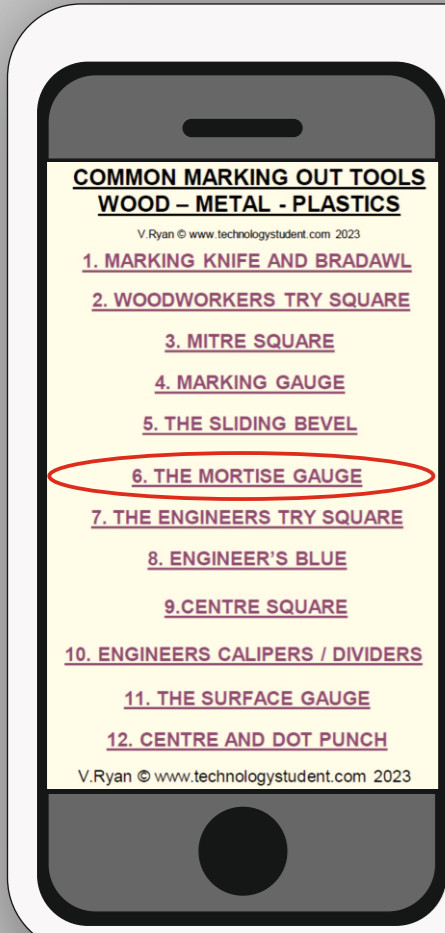
---

---

---

---

HELPFUL LINK: <https://www.technologystudent.com/mobapps/markings-out-tools1.pdf>



### THE MORTISE GAUGE

TO ANSWER ALL THE QUESTIONS YOU WILL NEED TO DOWNLOAD THE 'COMMON MARKING OUT TOOLS' APP, FROM THE INTERACTIVE MOBILE APP SECTION OF [www.technologystudent.com](http://www.technologystudent.com)

**LINK**

<https://www.technologystudent.com/mobapps/markings-out-tools1.pdf>

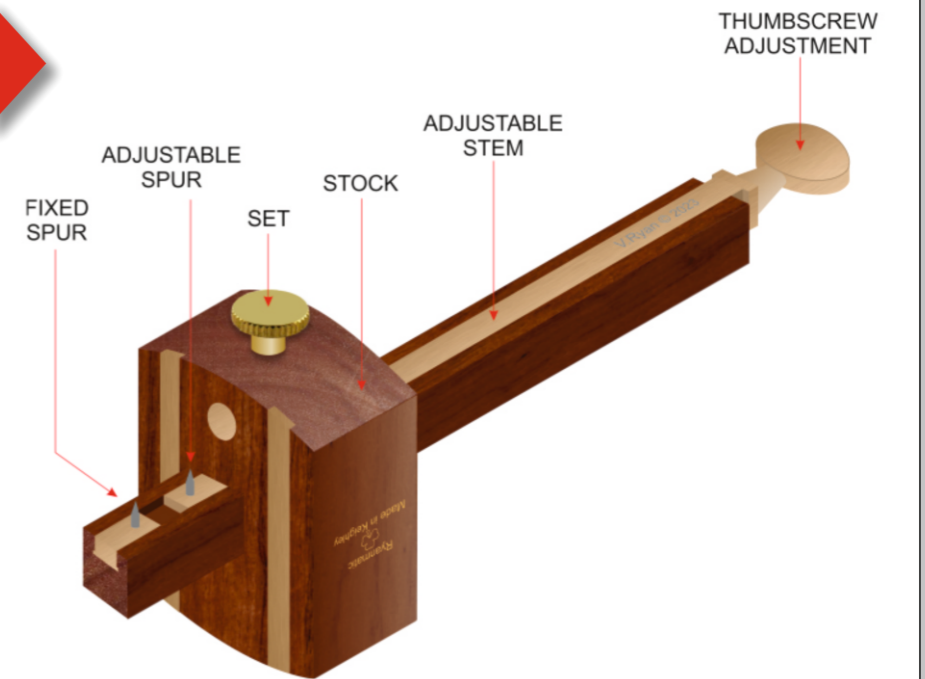
Once you have downloaded the App, you can use it to navigate the website. You may need to follow the links on each page of the App, to research / complete answers to all the questions.

**ARE YOU READY?  
USE THE MOBILE App!!**

1

WRITE A GENERAL DESCRIPTION OF THE MORTISE GAUGE, SHOWN OPPOSITE.

Handwritten area with horizontal lines for describing the mortise gauge.



2

DESCRIBE HOW THE MORTISE GAUGE IS USED TO MARK OUT MATERIAL

Use the box opposite for sketches to support your answer



Large empty box for sketches, titled 'YOUR SKETCHES'.

HELPFUL LINK: <https://www.technologystudent.com/mobapps/markings-out-tools1.pdf>

### ENGINEER'S TRY SQUARE

TO ANSWER ALL THE QUESTIONS YOU WILL NEED TO DOWNLOAD THE 'COMMON MARKING OUT TOOLS' APP, FROM THE INTERACTIVE MOBILE APP SECTION OF [www.technologystudent.com](http://www.technologystudent.com)

**LINK**

<https://www.technologystudent.com/mobapps/markings-out-tools1.pdf>

Once you have downloaded the App, you can use it to navigate the website. You may need to follow the links on each page of the App, to research / complete answers to all the questions.

**ARE YOU READY?  
USE THE MOBILE App!!**

**COMMON MARKING OUT TOOLS  
WOOD - METAL - PLASTICS**

V.Ryan © www.technologystudent.com 2023

- 1. MARKING KNIFE AND BRADAWL
- 2. WOODWORKERS TRY SQUARE
- 3. MITRE SQUARE
- 4. MARKING GAUGE
- 5. THE SLIDING BEVEL
- 6. THE MORTISE GAUGE
- 7. THE ENGINEERS TRY SQUARE**
- 8. ENGINEER'S BLUE
- 9. CENTRE SQUARE
- 10. ENGINEERS CALIPERS / DIVIDERS
- 11. THE SURFACE GAUGE
- 12. CENTRE AND DOT PUNCH

V.Ryan © www.technologystudent.com 2023

**1**

WRITE A GENERAL DESCRIPTION OF THE ENGINEER'S TRY SQUARE, SHOWN OPPOSITE.

---

---

---

---

---

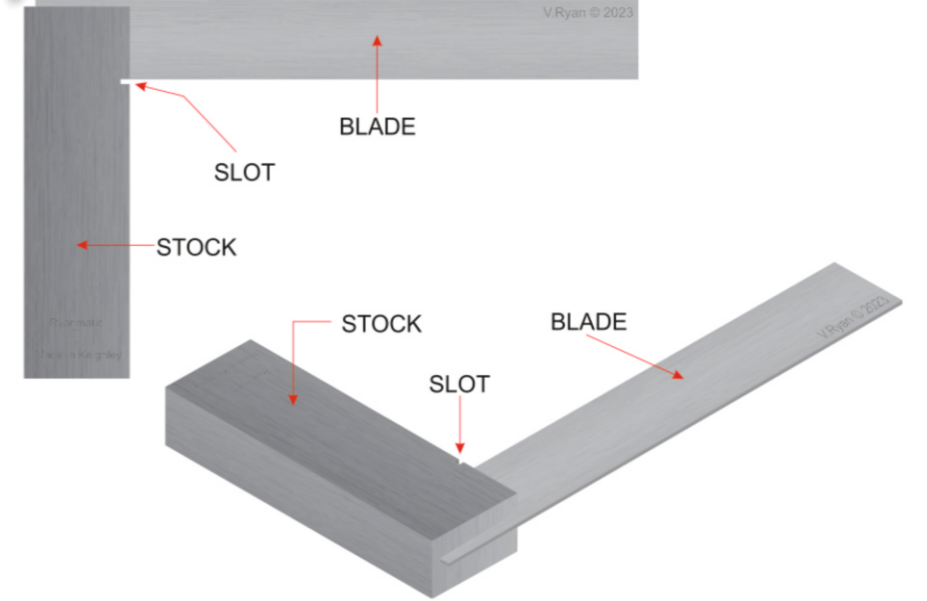
---

---

---

---

---



**2**

DESCRIBE HOW THE ENGINEER'S TRY SQUARE IS USED TO MARK OUT MATERIAL

Use the box opposite for sketches to support your answer

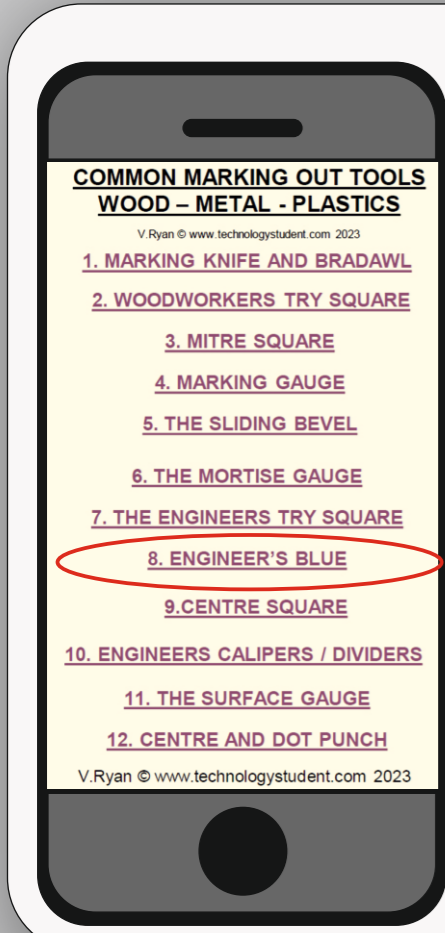


YOUR SKETCHES

Blank area for sketches.

HELPFUL LINK: <https://www.technologystudent.com/mobapps/markings-out-tools1.pdf>





## ENGINEER'S BLUE MARKING OUT FLUID

TO ANSWER ALL THE QUESTIONS YOU WILL NEED TO DOWNLOAD THE 'COMMON MARKING OUT TOOLS' APP, FROM THE INTERACTIVE MOBILE APP SECTION OF [www.technologystudent.com](http://www.technologystudent.com)

### LINK

<https://www.technologystudent.com/mobapps/markings-out-tools1.pdf>

Once you have downloaded the App, you can use it to navigate the website. You may need to follow the links on each page of the App, to research / complete answers to all the questions.

**ARE YOU READY?  
USE THE MOBILE App!!**

1

## WHAT IS ENGINEER'S BLUE?

---

---

---

---

---

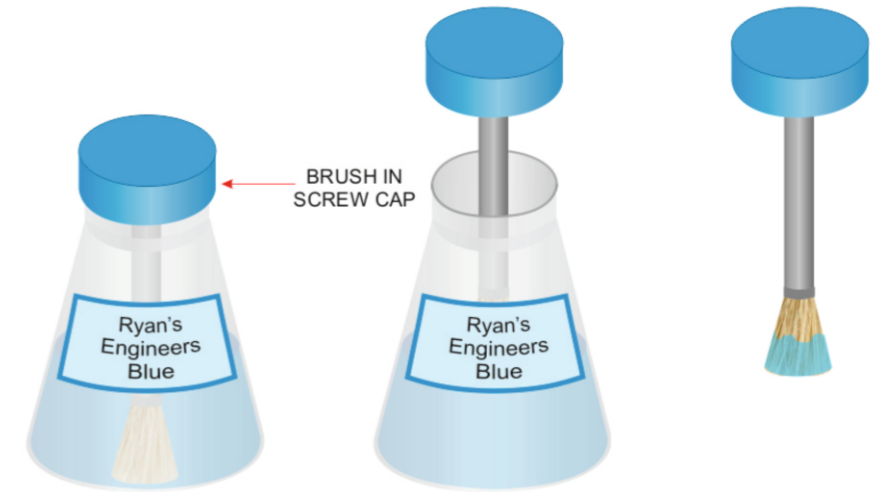
---

---

---

---

---



2

## DESCRIBE HOW THE ENGINEER'S BLUE IS USED WHEN MARKING OUT MATERIAL

Use the box opposite for sketches to support your answer



## YOUR SKETCHES

---

---

---

---

---

---

---

---

HELPFUL LINK: <https://www.technologystudent.com/mobapps/markings-out-tools1.pdf>



## THE CENTRE SQUARE

### COMMON MARKING OUT TOOLS WOOD - METAL - PLASTICS

V.Ryan © [www.technologystudent.com](http://www.technologystudent.com) 2023

1. MARKING KNIFE AND BRADAWL
2. WOODWORKERS TRY SQUARE
3. MITRE SQUARE
4. MARKING GAUGE
5. THE SLIDING BEVEL
6. THE MORTISE GAUGE
7. THE ENGINEERS TRY SQUARE
8. ENGINEER'S BLUE
9. CENTRE SQUARE
10. ENGINEERS CALIPERS / DIVIDERS
11. THE SURFACE GAUGE
12. CENTRE AND DOT PUNCH

V.Ryan © [www.technologystudent.com](http://www.technologystudent.com) 2023

TO ANSWER ALL THE QUESTIONS YOU WILL NEED TO DOWNLOAD THE 'COMMON MARKING OUT TOOLS' APP, FROM THE INTERACTIVE MOBILE APP SECTION OF [www.technologystudent.com](http://www.technologystudent.com)

### LINK

<https://www.technologystudent.com/mobapps/markings-out-tools1.pdf>

Once you have downloaded the App, you can use it to navigate the website. You may need to follow the links on each page of the App, to research / complete answers to all the questions.

**ARE YOU READY?  
USE THE MOBILE App!!**

1

WRITE A GENERAL DESCRIPTION OF THE CENTRE SQUARE, SHOWN OPPOSITE.

---

---

---

---

---

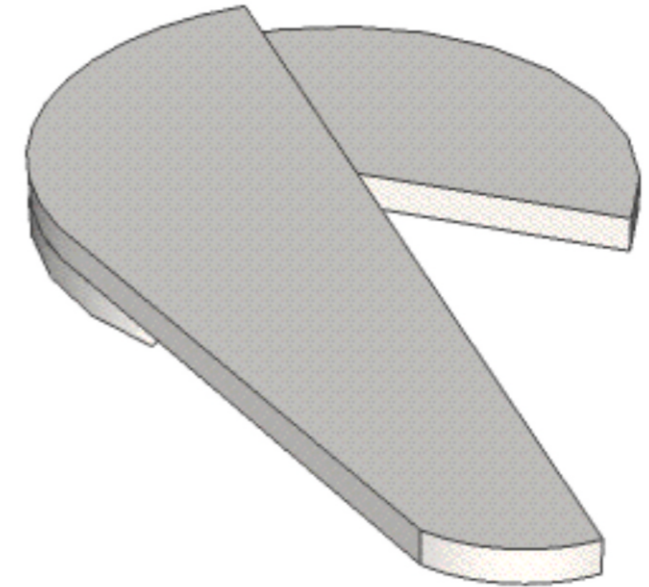
---

---

---

---

---



2

DESCRIBE HOW THE CENTRE SQUARE IS USED TO MARK OUT MATERIAL

Use the box opposite for sketches to support your answer



---

---

---

---

---

---

---

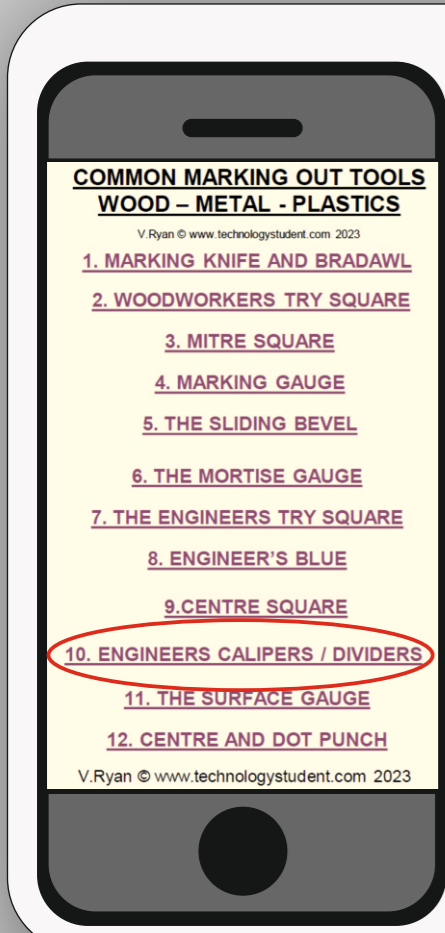
---

---

---

YOUR SKETCHES

HELPFUL LINK: <https://www.technologystudent.com/mobapps/markings-out-tools1.pdf>



## ENGINEER'S CALIPERS / DIVIDERS

TO ANSWER ALL THE QUESTIONS YOU WILL NEED TO DOWNLOAD THE 'COMMON MARKING OUT TOOLS' APP, FROM THE INTERACTIVE MOBILE APP SECTION OF [www.technologystudent.com](http://www.technologystudent.com)

### LINK

<https://www.technologystudent.com/mobapps/marking-out-tools1.pdf>

Once you have downloaded the App, you can use it to navigate the website. You may need to follow the links on each page of the App, to research / complete answers to all the questions.

**ARE YOU READY?  
USE THE MOBILE App!!**

1

WRITE A GENERAL DESCRIPTION OF THE SPRING DIVIDERS, SHOWN OPPOSITE.

---

---

---

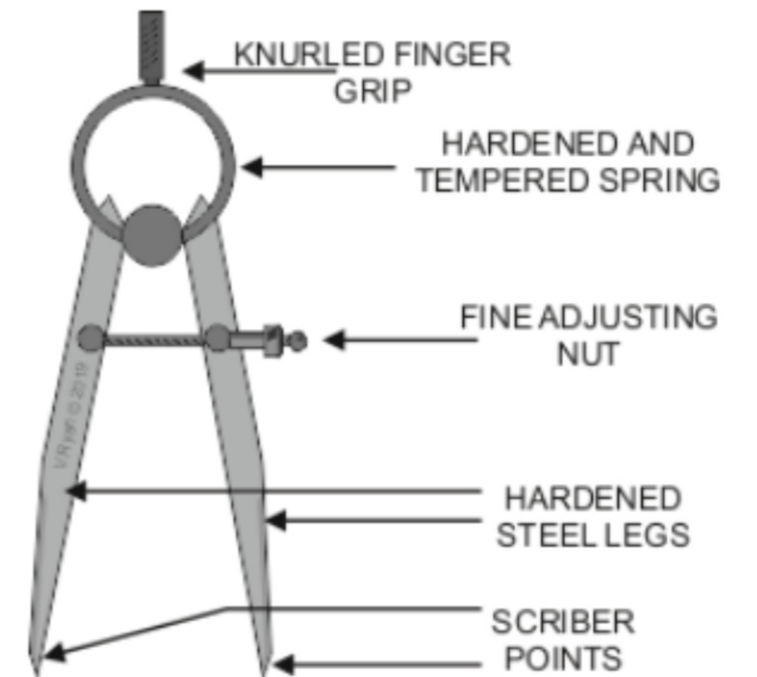
---

---

---

---

---



2

DESCRIBE HOW ODD LEG CALIPERS ARE USED TO MARK OUT MATERIAL

Use the box opposite for sketches to support your answer



YOUR SKETCHES

---

---

---

---

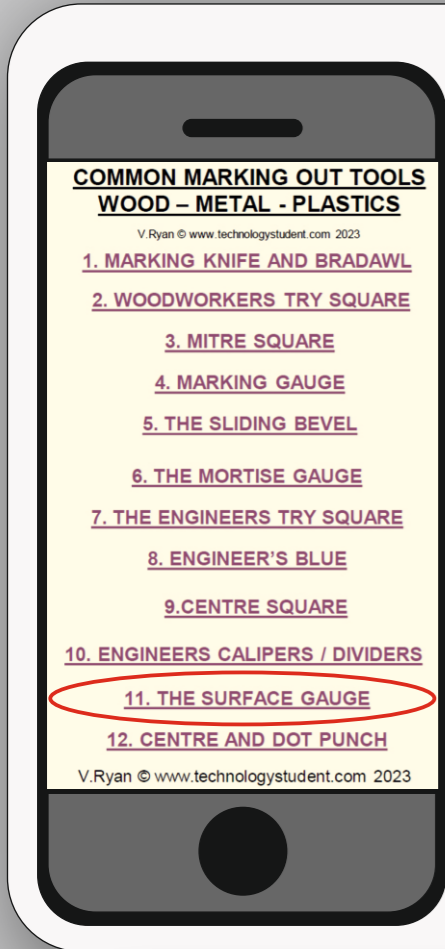
---

---

---

---

HELPFUL LINK: <https://www.technologystudent.com/mobapps/marking-out-tools1.pdf>



### SURFACE GAUGE

TO ANSWER ALL THE QUESTIONS YOU WILL NEED TO DOWNLOAD THE 'COMMON MARKING OUT TOOLS' APP, FROM THE INTERACTIVE MOBILE APP SECTION OF [www.technologystudent.com](http://www.technologystudent.com)

**LINK**

<https://www.technologystudent.com/mobapps/marketing-out-tools1.pdf>

Once you have downloaded the App, you can use it to navigate the website. You may need to follow the links on each page of the App, to research / complete answers to all the questions.

**ARE YOU READY?  
USE THE MOBILE App!!**

**1**

WRITE A GENERAL DESCRIPTION OF THE SURFACE GAUGE, SHOWN OPPOSITE.

---

---

---

---

---

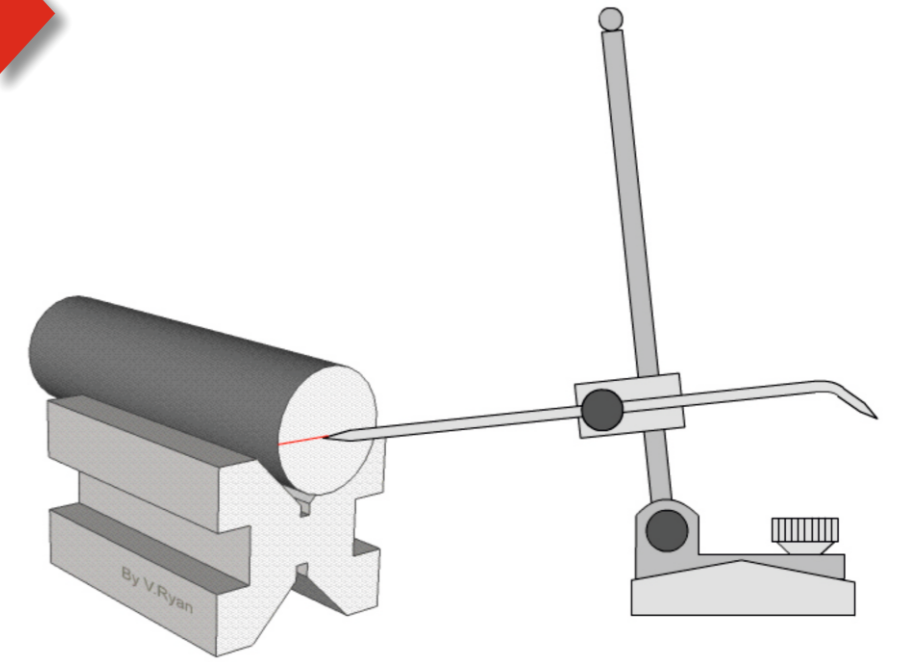
---

---

---

---

---



**2**

DESCRIBE HOW THE SURFACE GAUGE IS USED TO MARK OUT MATERIAL

Use the box opposite for sketches to support your answer



YOUR SKETCHES

---

---

---

---

---

---

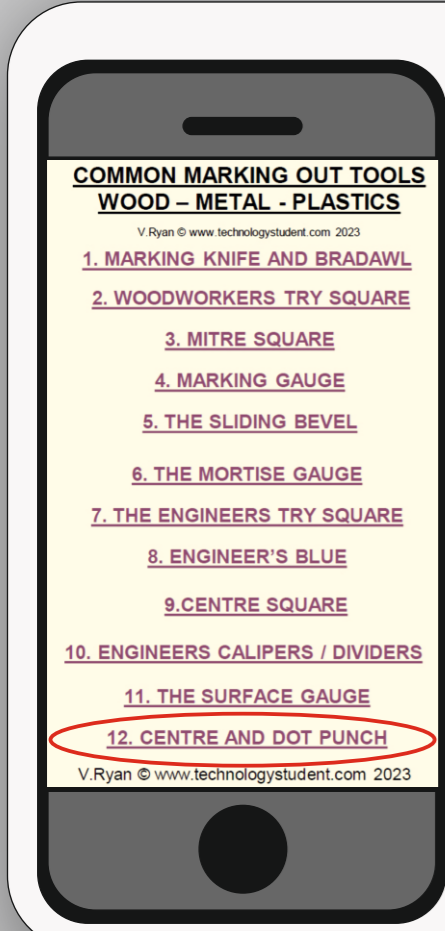
---

---

---

---

HELPFUL LINK: <https://www.technologystudent.com/mobapps/marketing-out-tools1.pdf>



### CENTRE and DOT PUNCH

TO ANSWER ALL THE QUESTIONS YOU WILL NEED TO DOWNLOAD THE 'COMMON MARKING OUT TOOLS' APP, FROM THE INTERACTIVE MOBILE APP SECTION OF [www.technologystudent.com](http://www.technologystudent.com)

**LINK**

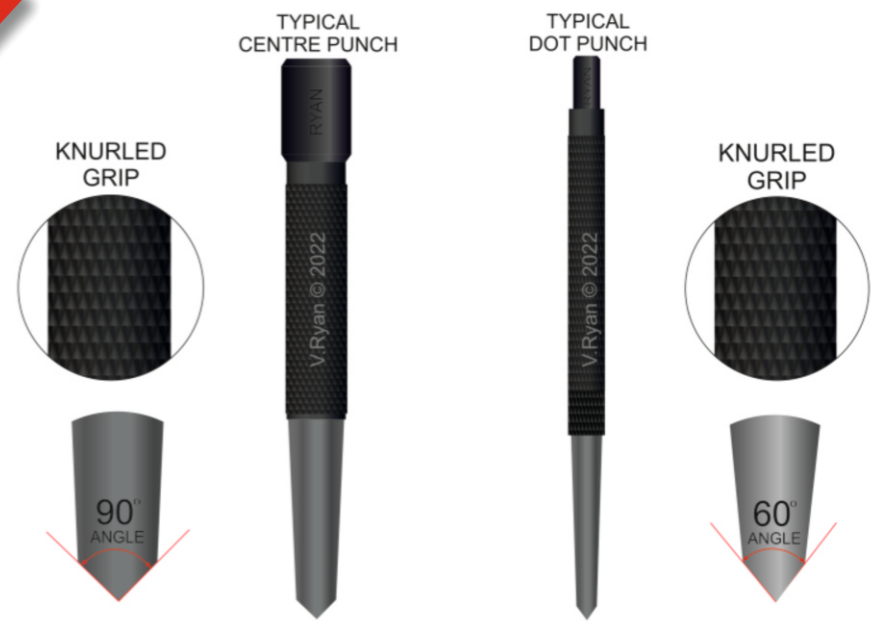
<https://www.technologystudent.com/mobapps/markings-out-tools1.pdf>

Once you have downloaded the App, you can use it to navigate the website. You may need to follow the links on each page of the App, to research / complete answers to all the questions.

**ARE YOU READY?  
USE THE MOBILE App!!**

### 1 WRITE A GENERAL DESCRIPTION OF THE CENTRE and DOT PUNCH, SHOWN OPPOSITE.

Blank lined area for writing a general description of the centre and dot punch.



### 2 DESCRIBE HOW THE CENTRE or DOT PUNCH IS USED TO MARK OUT MATERIAL

Use the box opposite for sketches to support your answer

Blank lined area for describing how the centre or dot punch is used to mark out material.



Blank area for drawing sketches to support the answer.

HELPFUL LINK: <https://www.technologystudent.com/mobapps/markings-out-tools1.pdf>