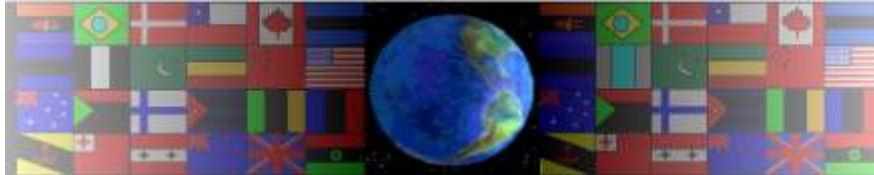


## PACKAGING MATERIALS

V.Ryan © 2000 - 2010

On behalf of The World Association of Technology Teachers

# W.A.T.T.



World Association of Technology Teachers

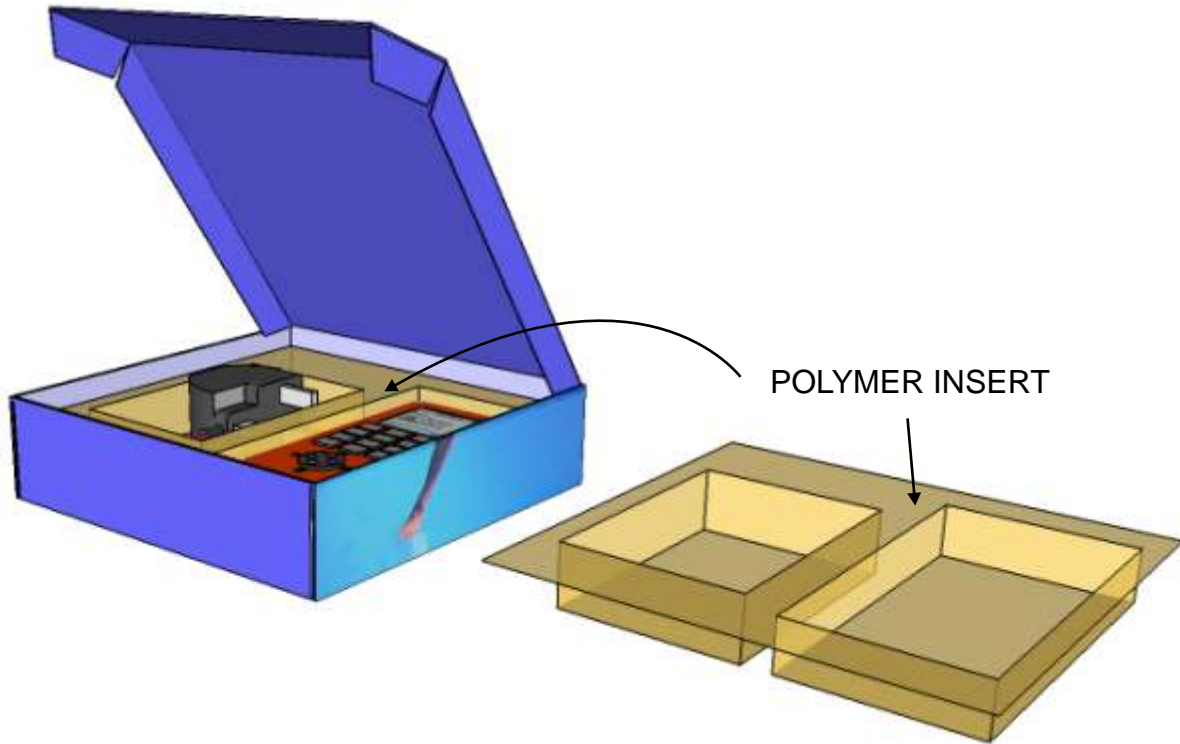
This exercise can be printed and used by teachers and students. It is recommended that you view the website ([www.technologystudent.com](http://www.technologystudent.com)) before attempting the design sheet .

THESE MATERIALS CAN BE PRINTED AND USED BY TEACHERS AND STUDENTS.  
THEY MUST NOT BE EDITED IN ANY WAY OR PLACED ON ANY OTHER MEDIA INCLUDING WEB SITES AND INTRANETS.  
NOT FOR COMMERCIAL USE.  
THIS WORK IS PROTECTED BY COPYRIGHT LAW.  
IT IS ILLEGAL TO DISPLAY THIS WORK ON ANY WEBSITE/MEDIA STORAGE OTHER THAN [www.technologystudent.com](http://www.technologystudent.com)

# PACKAGING MATERIALS

V.Ryan © 2010 World Association of Technology Teachers

Study the mobile phone packaging seen below.



1. Explain why high quality card is needed to manufacture the box.

---

---

---

---

---

---

---

---

2. Name a material that is suitable for the polymer insert of the mobile phone packaging.

---

3. Why is the material you have named, the most suitable?

---

---

---

---

---

---

---

---

4. List other polymers that could be used for the polymer insert.

---

---

---

---

---

---

---

---