

WOOD BASED TROLLEY - JOINTS AND FITTINGS

V.Ryan © 2000 - 2010

On behalf of The World Association of Technology Teachers

W.A.T.T.

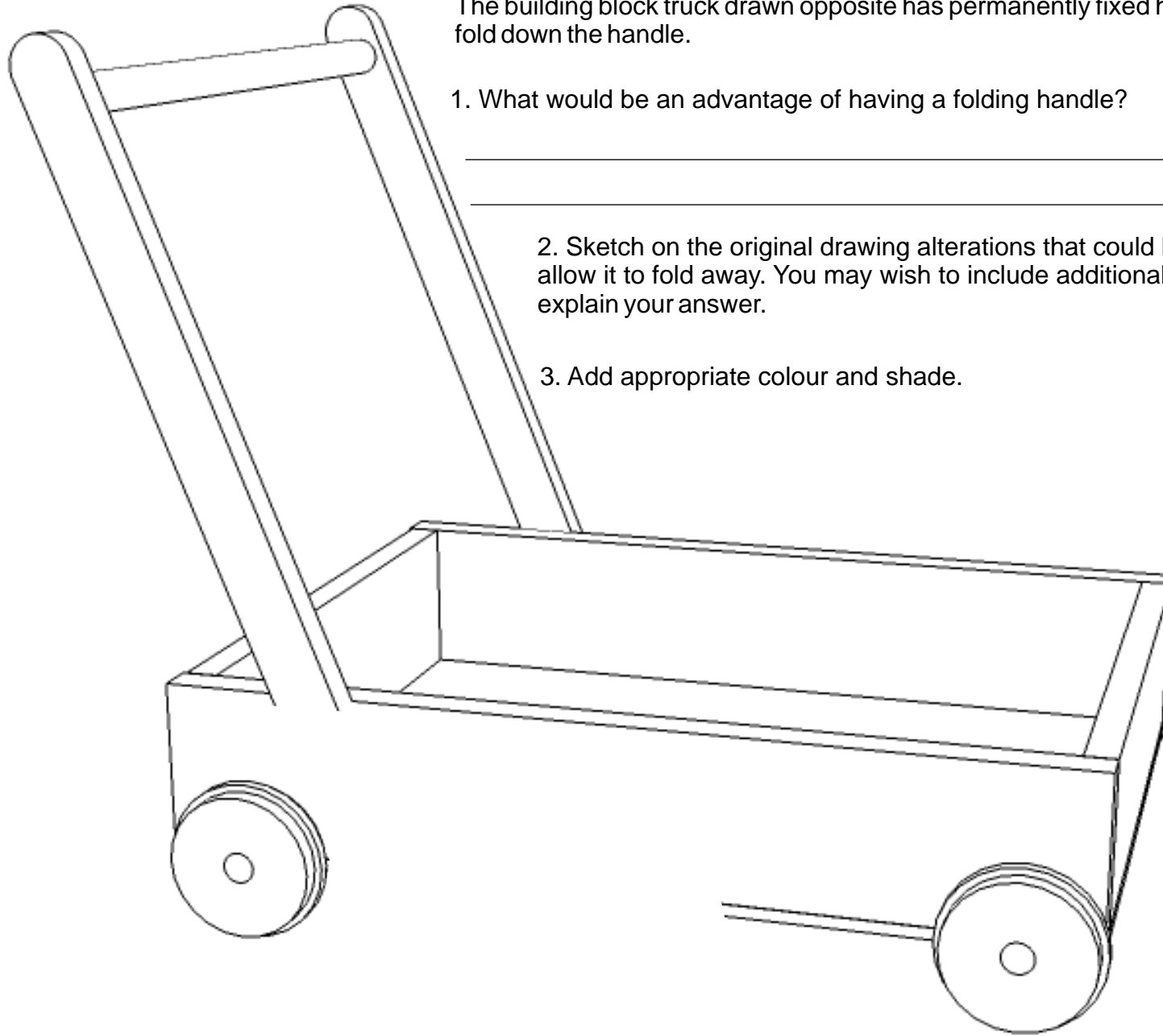


World Association of Technology Teachers

This exercise can be printed and used by teachers and students. It is recommended that you view the website (www.technologystudent.com) before attempting the design sheet .

THESE MATERIALS CAN BE PRINTED AND USED BY TEACHERS AND STUDENTS.
THEY MUST NOT BE EDITED IN ANY WAY OR PLACED ON ANY OTHER MEDIA INCLUDING WEB SITES AND INTRANETS.
NOT FOR COMMERCIAL USE.
THIS WORK IS PROTECTED BY COPYRIGHT LAW.
IT IS ILLEGAL TO DISPLAY THIS WORK ON ANY WEBSITE/MEDIA STORAGE OTHER THAN www.technologystudent.com

The building block truck drawn opposite has permanently fixed handle. This makes it impossible to fold down the handle.



1. What would be an advantage of having a folding handle?

2. Sketch on the original drawing alterations that could be made to the handle and base to allow it to fold away. You may wish to include additional sketches. Add labels and notes to explain your answer.

3. Add appropriate colour and shade.