

STREET FURNITURE - PUBLIC BENCH - MATERIAL SELECTION

V.Ryan © 2000 - 2011

On behalf of The World Association of Technology Teachers

W.A.T.T.



World Association of Technology Teachers

This exercise can be printed and used by teachers and students. It is recommended that you view the website (www.technologystudent.com) before attempting the design sheet .

THESE MATERIALS CAN BE PRINTED AND USED BY TEACHERS AND STUDENTS.
THEY MUST NOT BE EDITED IN ANY WAY OR PLACED ON ANY OTHER MEDIA INCLUDING WEB SITES AND INTRANETS.
NOT FOR COMMERCIAL USE.
THIS WORK IS PROTECTED BY COPYRIGHT LAW.
IT IS ILLEGAL TO DISPLAY THIS WORK ON ANY WEBSITE/MEDIA STORAGE OTHER THAN www.technologystudent.com

THE MANUFACTURE OF STREET FURNITURE - PUBLIC BENCH

V.Ryan © 2011 World Association of Technology Teachers

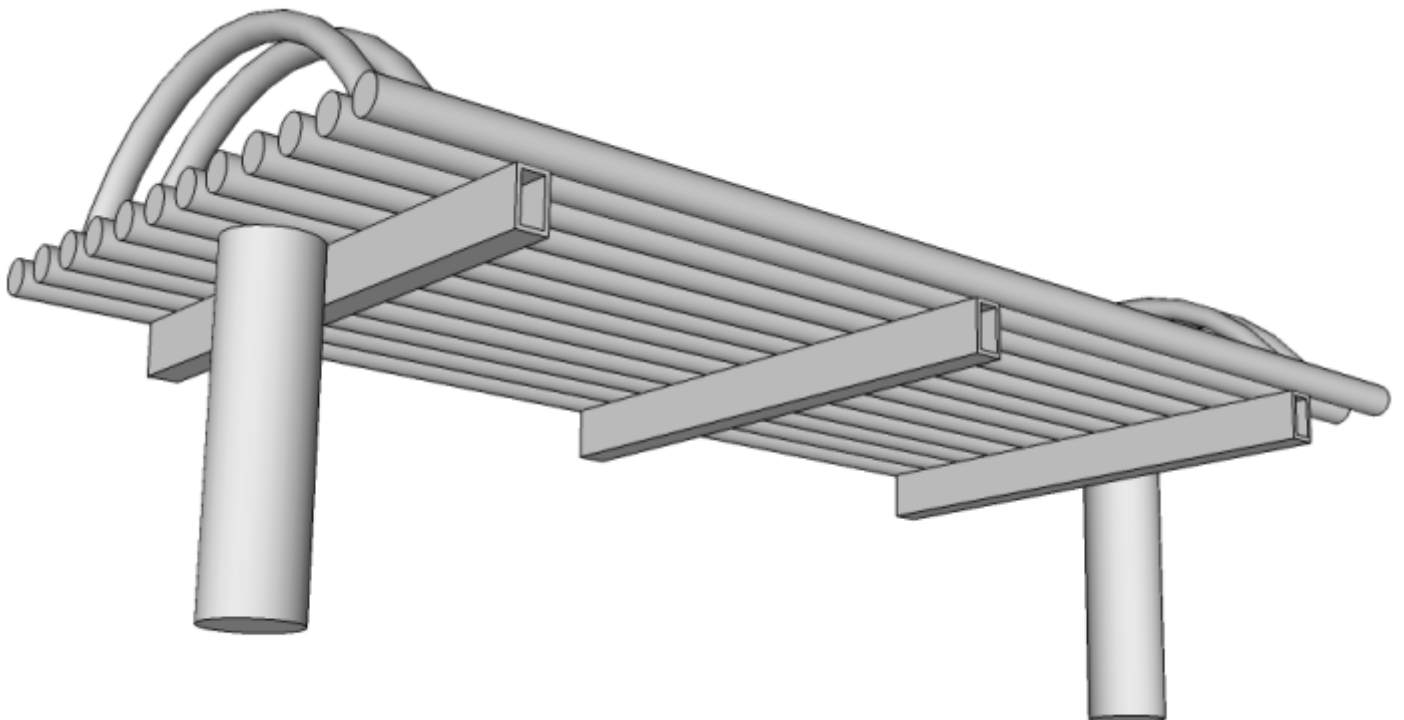
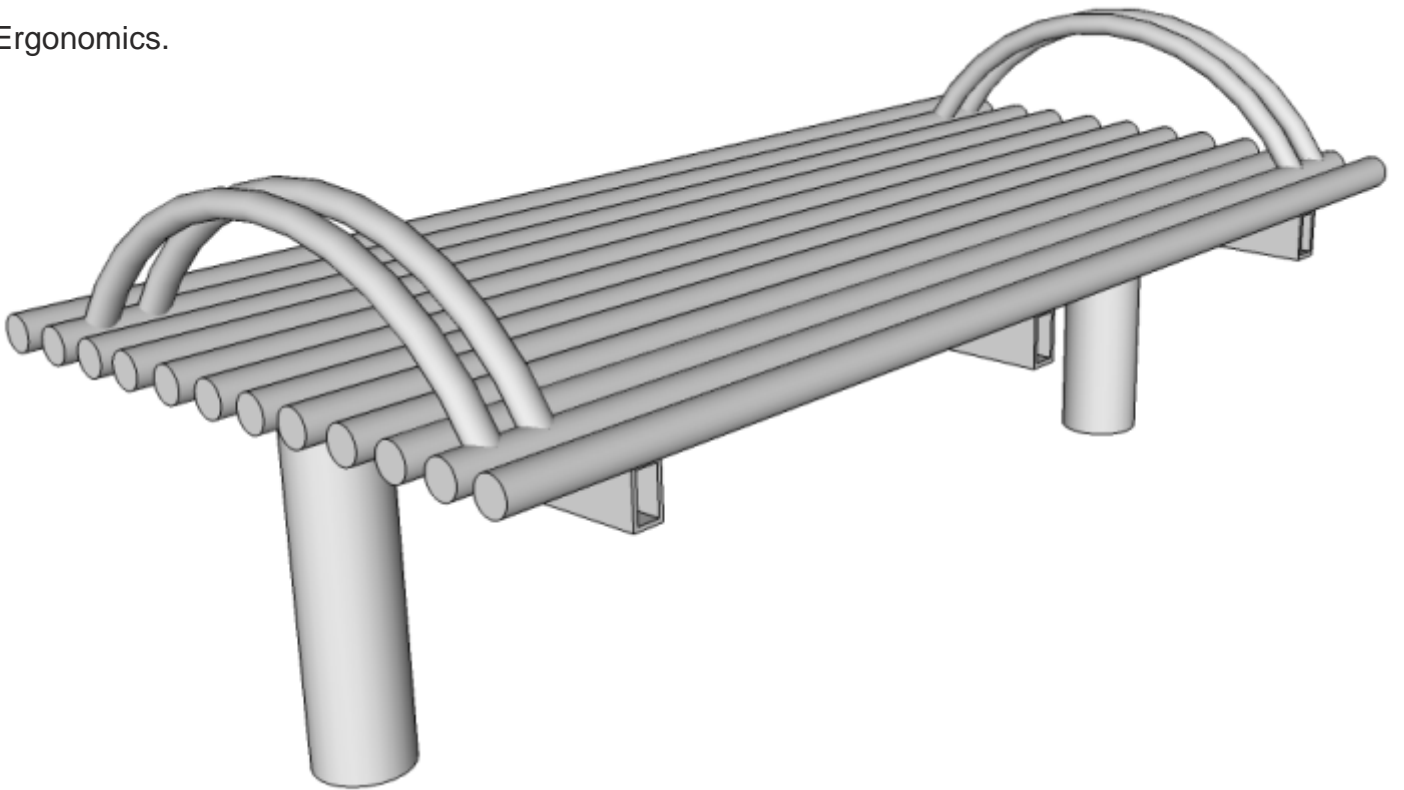
Study the photographs of the bench shown below.

Pay particular attention to potential materials for manufacturing the bench.

Consider the processes involved in its manufacture.

Health and Safety.

Ergonomics.



BENCH CONSTRUCTION / MANUFACTURE

V.Ryan © 2011 World Association of Technology Teachers

With the aid of notes and diagrams, describe how the steel tube bench could be 'batch' manufactured, in a cost effective and economic way.

