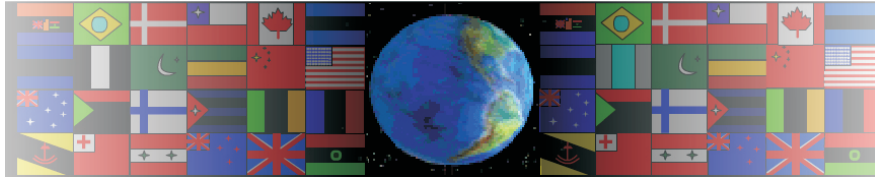


# FIRST ANGLE ORTHOGRAPHIC PROJECTION

V.Ryan © 2000 - 2008

On behalf of The World Association of Technology Teachers

## W.A.T.T.



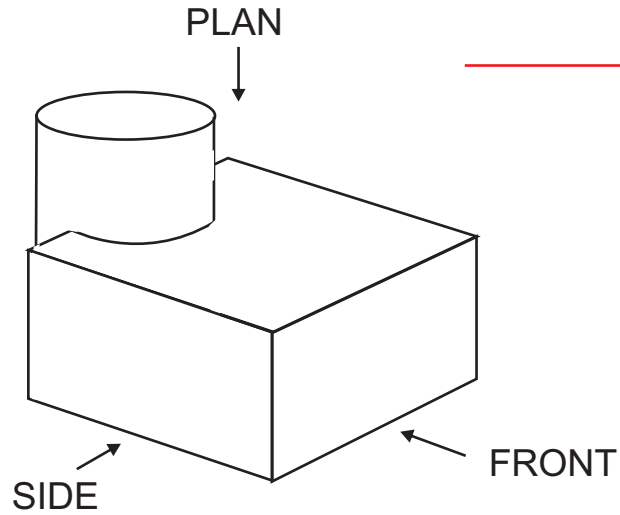
World Association of Technology Teachers

The 'Orthographic Projection Exercise' can be printed and used by teachers and students. It is recommended that you view the website section 'Graphics' ([www.technologystudent.com](http://www.technologystudent.com)) before attempting the design sheet .

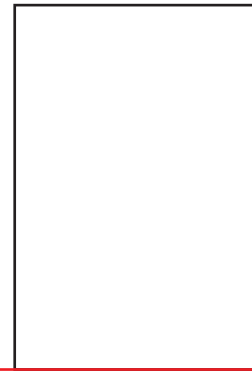
THESE MATERIALS CAN BE PRINTED AND USED BY TEACHERS AND  
STUDENTS.  
THEY MUST NOT BE EDITED IN ANY WAY OR PLACED ON ANY OTHER  
MEDIA INCLUDING WEB SITES AND INTRANETS.  
NOT FOR COMMERCIAL USE.  
THIS WORK IS PROTECTED BY COPYRIGHT LAW.  
IT IS ILLEGAL TO DISPLAY THIS WORK ON ANY WEBSITE/MEDIA  
STORAGE OTHER THAN [www.technologystudent.com](http://www.technologystudent.com)

## FIRST ANGLE ORTHOGRAPHIC PROJECTION

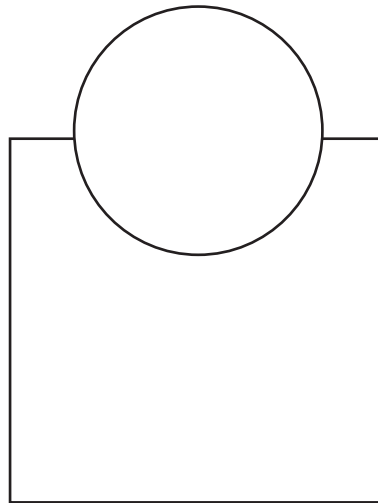
A 3D object is seen below. Complete the orthographic drawing of the same object by drawing the missing lines/curves.



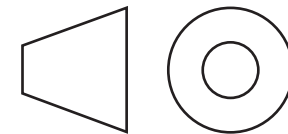
FRONT VIEW



SIDE VIEW



PLAN VIEW



FIRST ANGLE PROJECTION