

CROSS HALVING JOINTS

V.Ryan © 2000 - 2008

On behalf of The World Association of Technology Teachers

W.A.T.T.



World Association of Technology Teachers

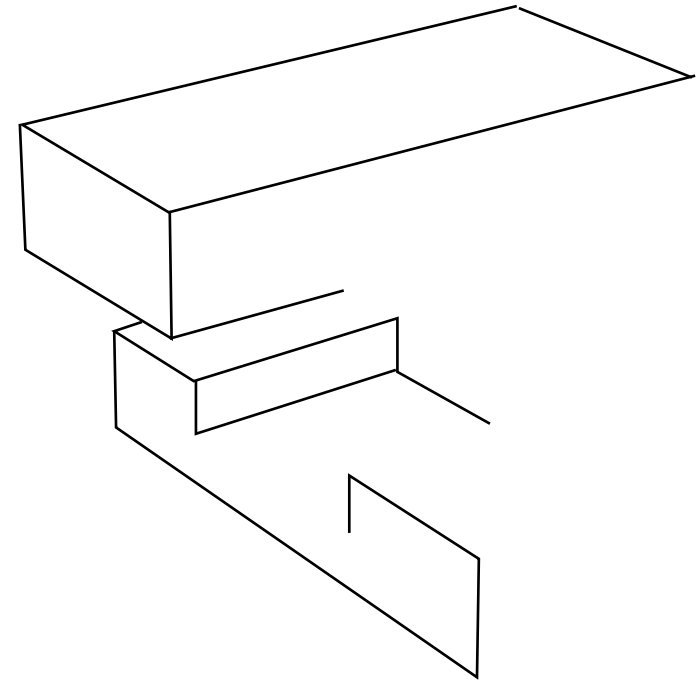
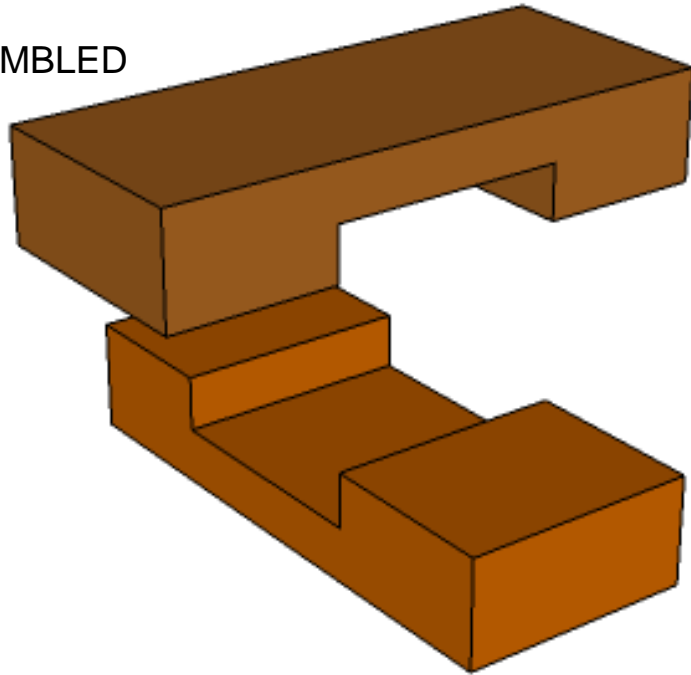
The 'Cross Halving Joint Exercise' can be printed and used by teachers and students. It is recommended that you view the website section 'Graphics' (www.technologystudent.com) before attempting the design sheet.

THESE MATERIALS CAN BE PRINTED AND USED BY TEACHERS AND STUDENTS.
THEY MUST NOT BE EDITED IN ANY WAY OR PLACED ON ANY OTHER MEDIA INCLUDING WEB SITES AND INTRANETS.
NOT FOR COMMERCIAL USE.
THIS WORK IS PROTECTED BY COPYRIGHT LAW.
IT IS ILLEGAL TO DISPLAY THIS WORK ON ANY WEBSITE/MEDIA STORAGE OTHER THAN www.technologystudent.com

THE CROSS HALVINGJOINT

A cross halving joint is a common woodworking joint used a method of fixing two pieces together. It is often used as a joint for furniture and other wood based items. Two pictures below show the joint disassembled and assembled. Complete the two sketches and add shade / colour.

DISASSEMBLED



ASSEMBLED

