

SINGLE POINT PERSPECTIVE

V.Ryan © 2000 - 2008

On behalf of The World Association of Technology Teachers

W.A.T.T.



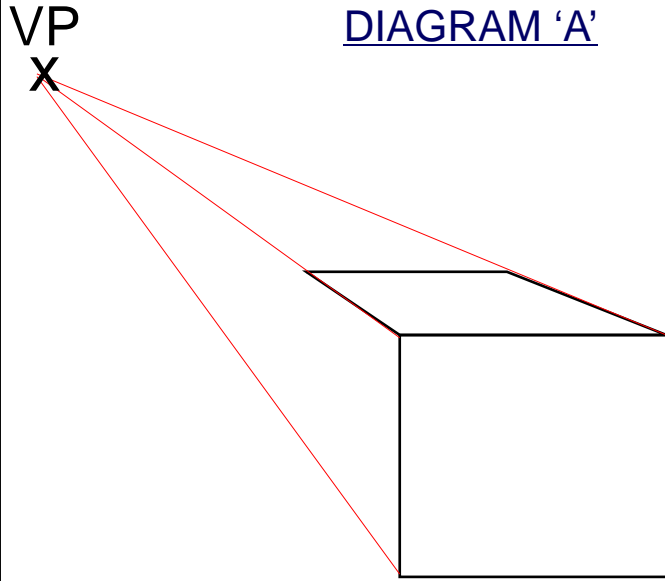
World Association of Technology Teachers

The 'Perspective Exercise' can be printed and used by teachers and students. It is recommended that you view the website section 'Graphics' (www.technologystudent.com) before attempting the design sheet.

THESE MATERIALS CAN BE PRINTED AND USED BY TEACHERS AND STUDENTS.
THEY MUST NOT BE EDITED IN ANY WAY OR PLACED ON ANY OTHER MEDIA INCLUDING WEB SITES AND INTRANETS.
NOT FOR COMMERCIAL USE.
THIS WORK IS PROTECTED BY COPYRIGHT LAW.
IT IS ILLEGAL TO DISPLAY THIS WORK ON ANY WEBSITE/MEDIA STORAGE OTHER THAN www.technologystudent.com

SINGLE POINT PERSPECTIVE

Incomplete 'single point perspective' drawings of cubes are shown below. The vanishing point for each of the cubes is clearly marked. Add faint guidelines and complete the cubes. Use a coloured pencil to shade the sides of each cube. Use three tones of shade for each cube (three tone shading technique).



VP
X

DIAGRAM 'B'

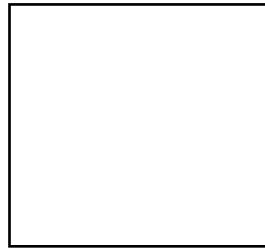


DIAGRAM 'C'



Would this technique be helpful when designing a three dimensional object such as a piece of furniture or a small electronic device? How?

VP X