

RIVETS

V.Ryan © 2000 - 2008

On behalf of The World Association of Technology Teachers

W.A.T.T.



World Association of Technology Teachers

The 'Rivet Exercise' can be printed and used by teachers and students. It is recommended that you view the website (www.technologystudent.com) before attempting the design sheet.

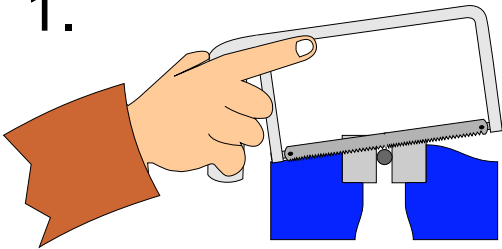
THESE MATERIALS CAN BE PRINTED AND USED BY TEACHERS AND STUDENTS.
THEY MUST NOT BE EDITED IN ANY WAY OR PLACED ON ANY OTHER MEDIA INCLUDING WEB SITES AND INTRANETS.
NOT FOR COMMERCIAL USE.
THIS WORK IS PROTECTED BY COPYRIGHT LAW.
IT IS ILLEGAL TO DISPLAY THIS WORK ON ANY WEBSITE/MEDIA STORAGE OTHER THAN www.technologystudent.com

COLD RIVETING - PAGE 1

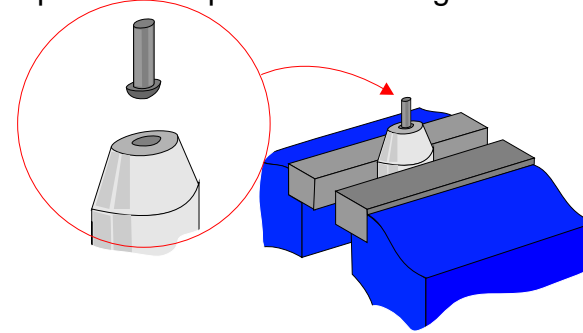
V.Ryan © 2008 World Association of Technology Teachers

1. The diagrams below outline the stages involved in the use of cold rivets. Add an appropriate description to each stage.

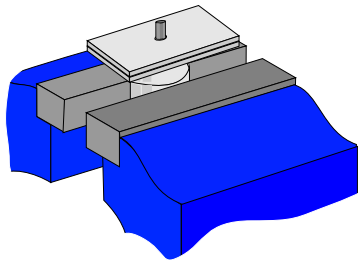
1.



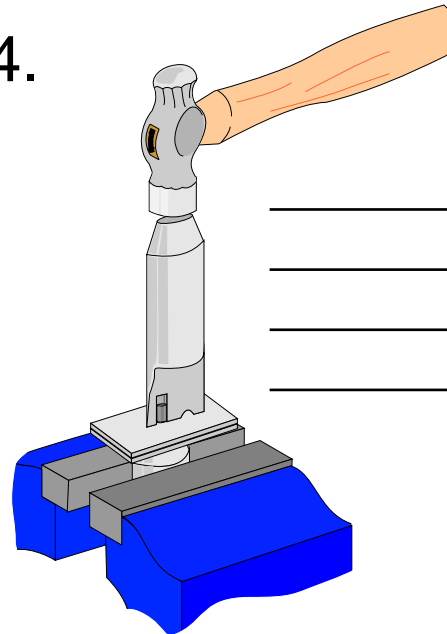
2.



3.



4.



COLD RIVETING - PAGE 2

V.Ryan © 2008 World Association of Technology Teachers

