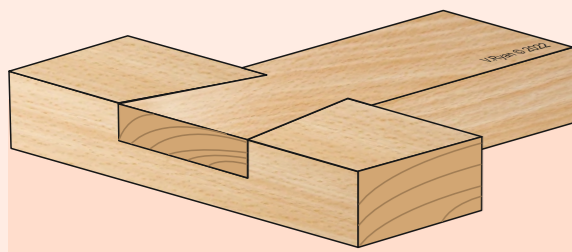


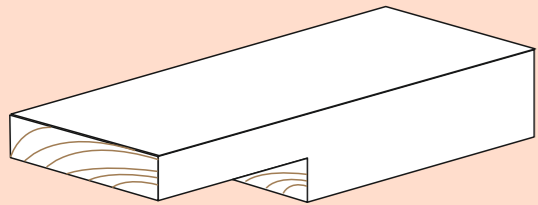
MARKING OUT AND CUTTING - DOVETAIL HALVING JOINT

WORLD ASSOCIATION OF TECHNOLOGY TEACHERS <https://www.facebook.com/groups/254963448192823/> www.technologystudent.com © 2022 V.Ryan © 2022

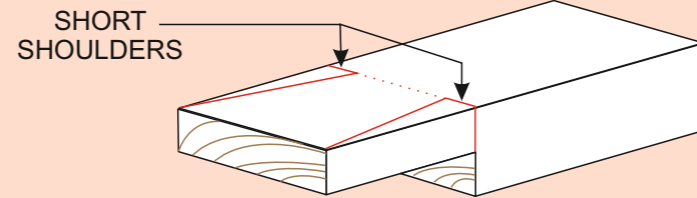


Dia. A

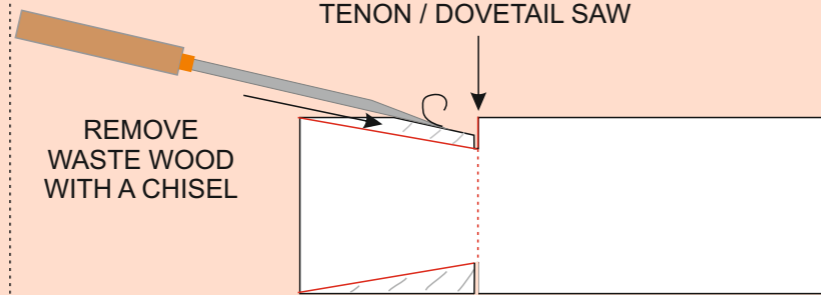
MARK OUT AND CUT ONE HALF OF A 'HALF LAP' JOINT (see previous instruction sheet).



Dia. B
MARK OUT THE DOVETAIL ON THE HALF LAP. ENSURE THE SHORT SHOULDERS ARE EQUAL



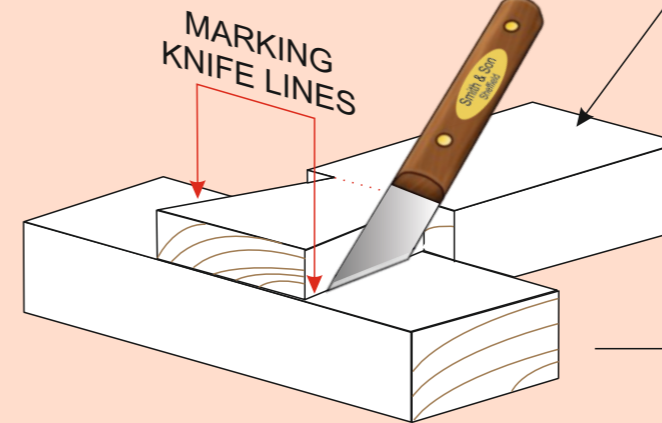
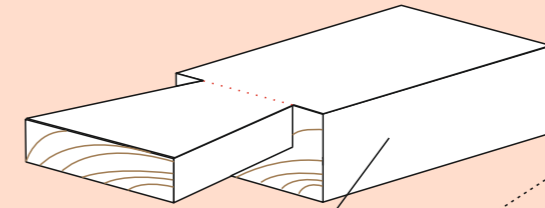
SAW DOWN SHORT SHOULDERS WITH A TENON / DOVETAIL SAW



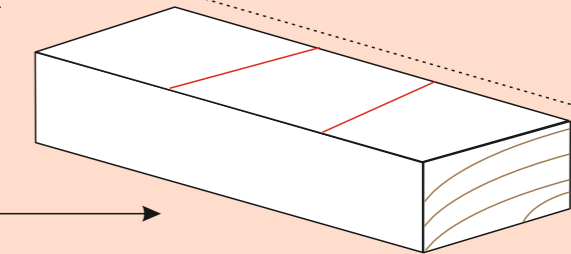
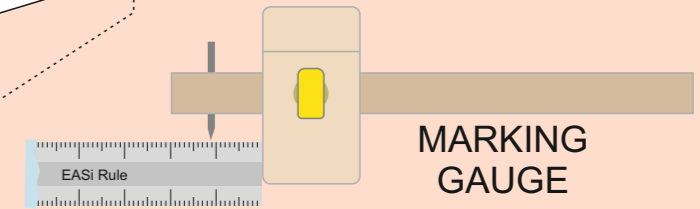
PLACE THE DOVETAILED TOP, ON THE BOTTOM PIECE, CENTRALLY LOCATED.

Dia. C

TRACE THE DOVETAIL WITH A MARKING KNIFE, SO THAT THE LINES ARE TRANSFERRED TO THE BOTTOM PIECE.



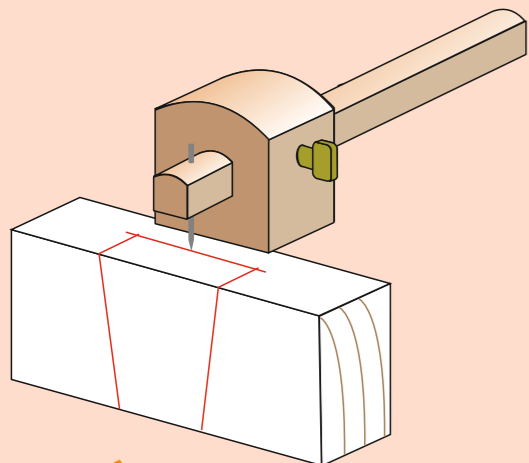
Dia. D
SET A MARKING GAUGE TO HALF THE WIDTH OF THE WOOD



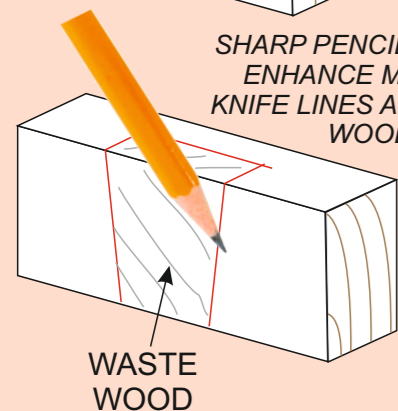
WORLD ASSOCIATION OF TECHNOLOGY TEACHERS <https://www.facebook.com/groups/254963448192823/> www.technologystudent.com © 2022 V.Ryan © 2022

Dia. E

USE A MARKING GAUGE TO MARK THE LINE, ALONG THE TOP EDGE, CLEARLY SHOWING THE WASTE WOOD.

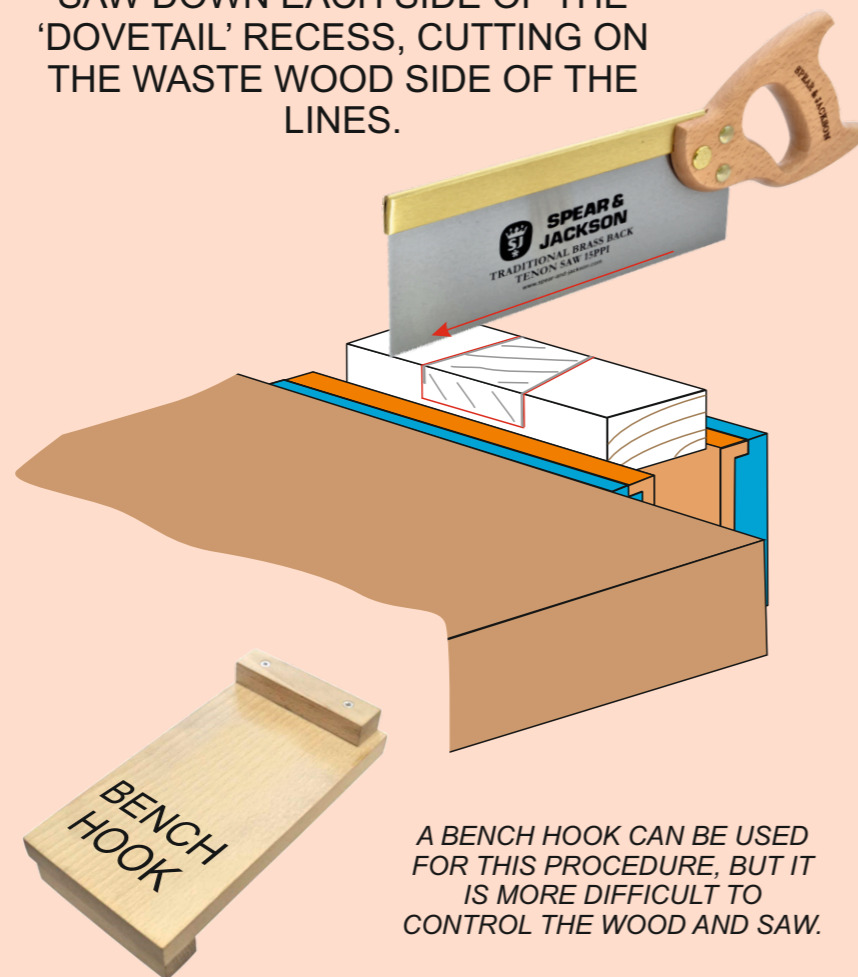


SHARP PENCIL USED TO ENHANCE MARKING KNIFE LINES AND WASTE WOOD.



Dia. F

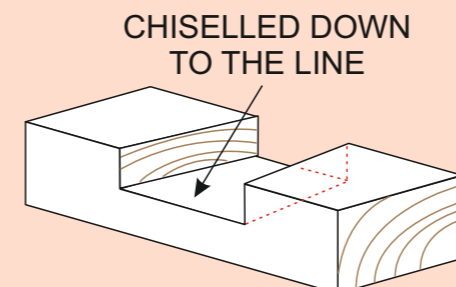
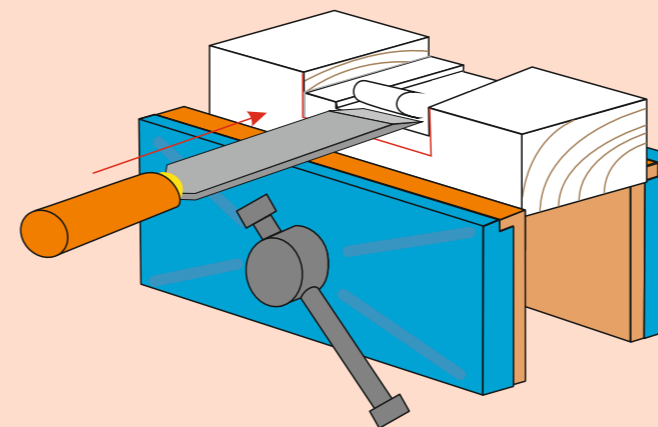
SECURE THE WOOD IN A VICE. SAW DOWN EACH SIDE OF THE 'DOVETAIL' RECESS, CUTTING ON THE WASTE WOOD SIDE OF THE LINES.



A BENCH HOOK CAN BE USED FOR THIS PROCEDURE, BUT IT IS MORE DIFFICULT TO CONTROL THE WOOD AND SAW.

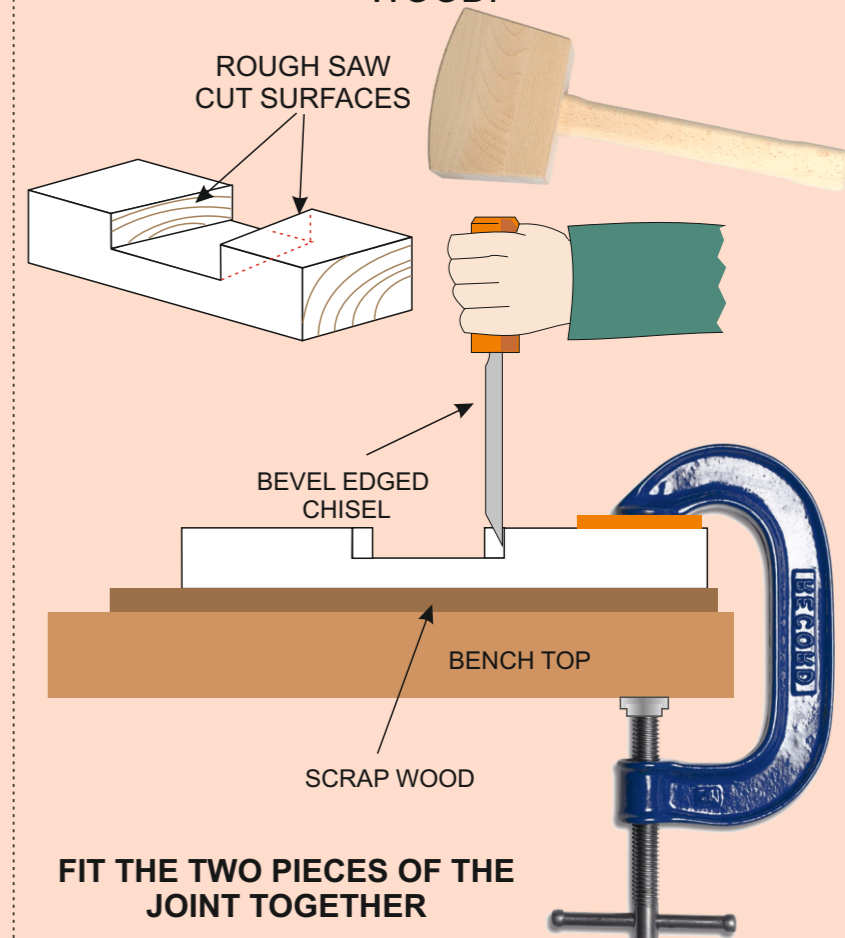
Dia. G

SECURE THE WOOD IN THE VICE. USE A BEVEL EDGED CHISEL TO SLOWLY REMOVE THE WASTE MATERIAL.



Dia. H

CAREFULLY 'TAP' THE CHISEL WITH A Mallet, REMOVING THE FINAL WASTE WOOD.



FIT THE TWO PIECES OF THE JOINT TOGETHER

WORLD ASSOCIATION OF TECHNOLOGY TEACHERS <https://www.facebook.com/groups/254963448192823/> www.technologystudent.com © 2022 V.Ryan © 2022