

# BICOLOUR LIGHT EMITTING DIODES (LEDs) - EXAMINATION QUESTIONS

HELPFUL LINK: [https://technologystudent.com/elec\\_flsh/bicolour1.html](https://technologystudent.com/elec_flsh/bicolour1.html)

1. What is a bicolour LED? **3 marks**

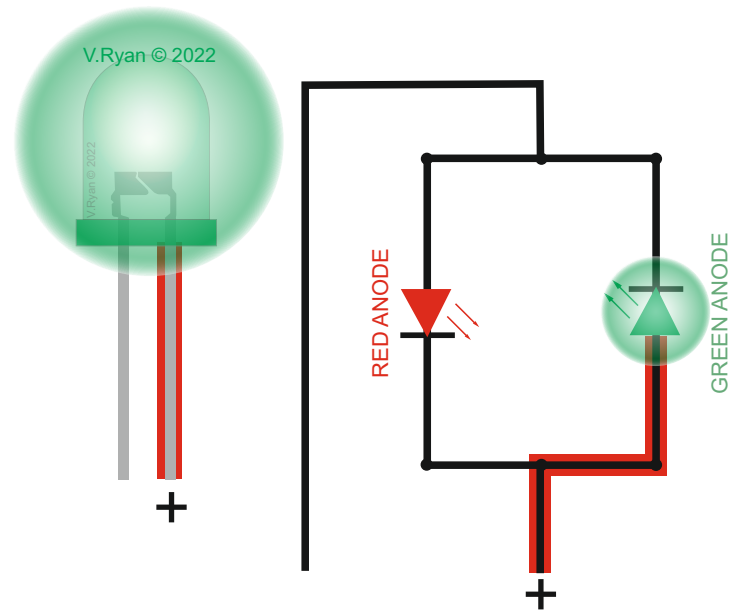
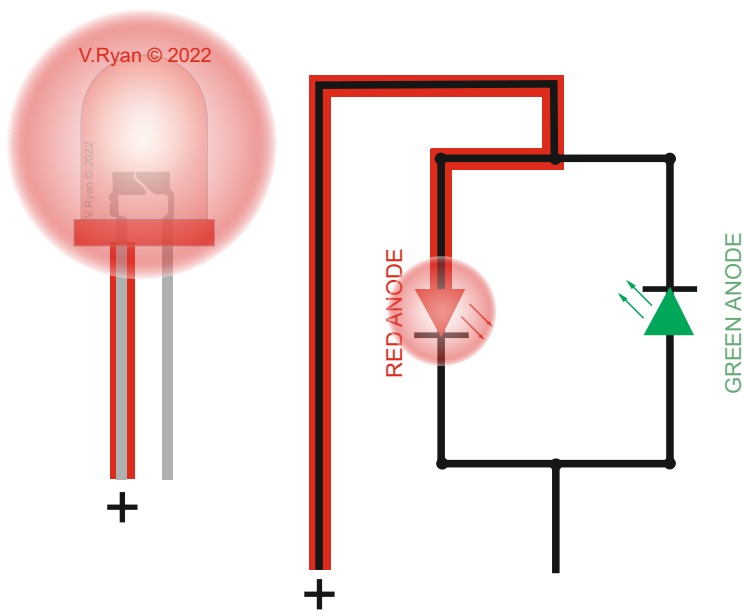
---

---

---

---

2. Explain the two diagrams of a bicolour LED. **4 marks**



---

---

---

---

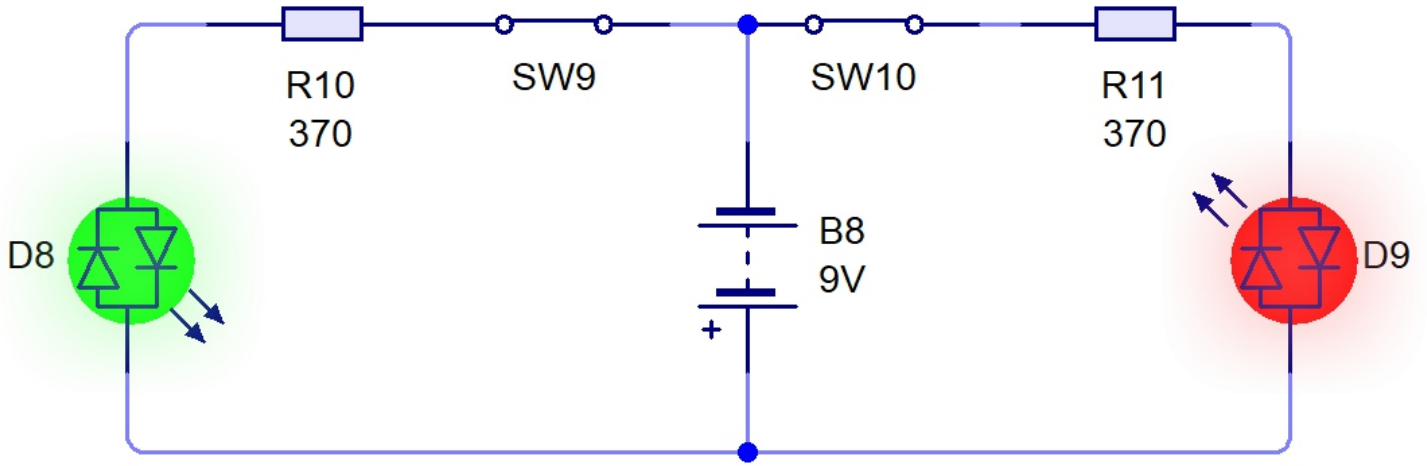
---

---

---

---

3. Describe / explain the circuit shown below. **6 marks**



---

---

---

---

---

---

---

---