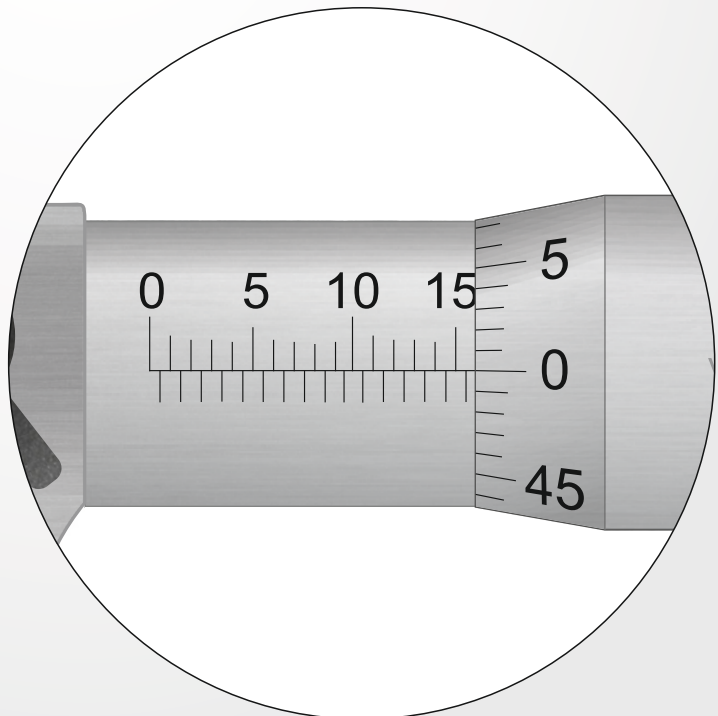
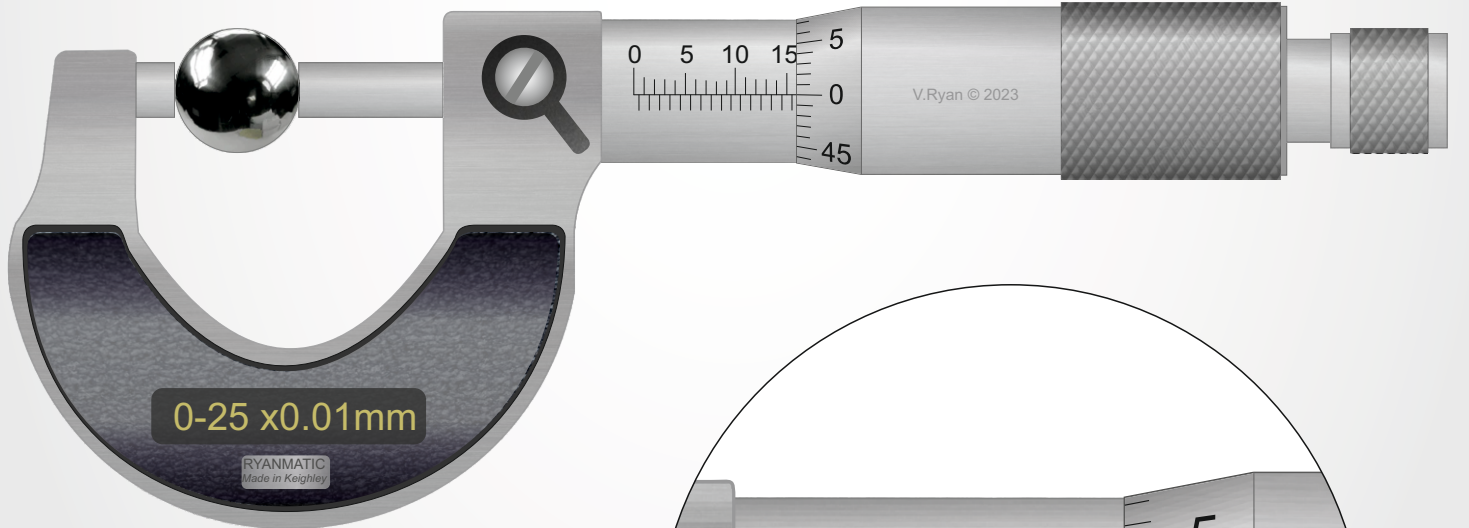
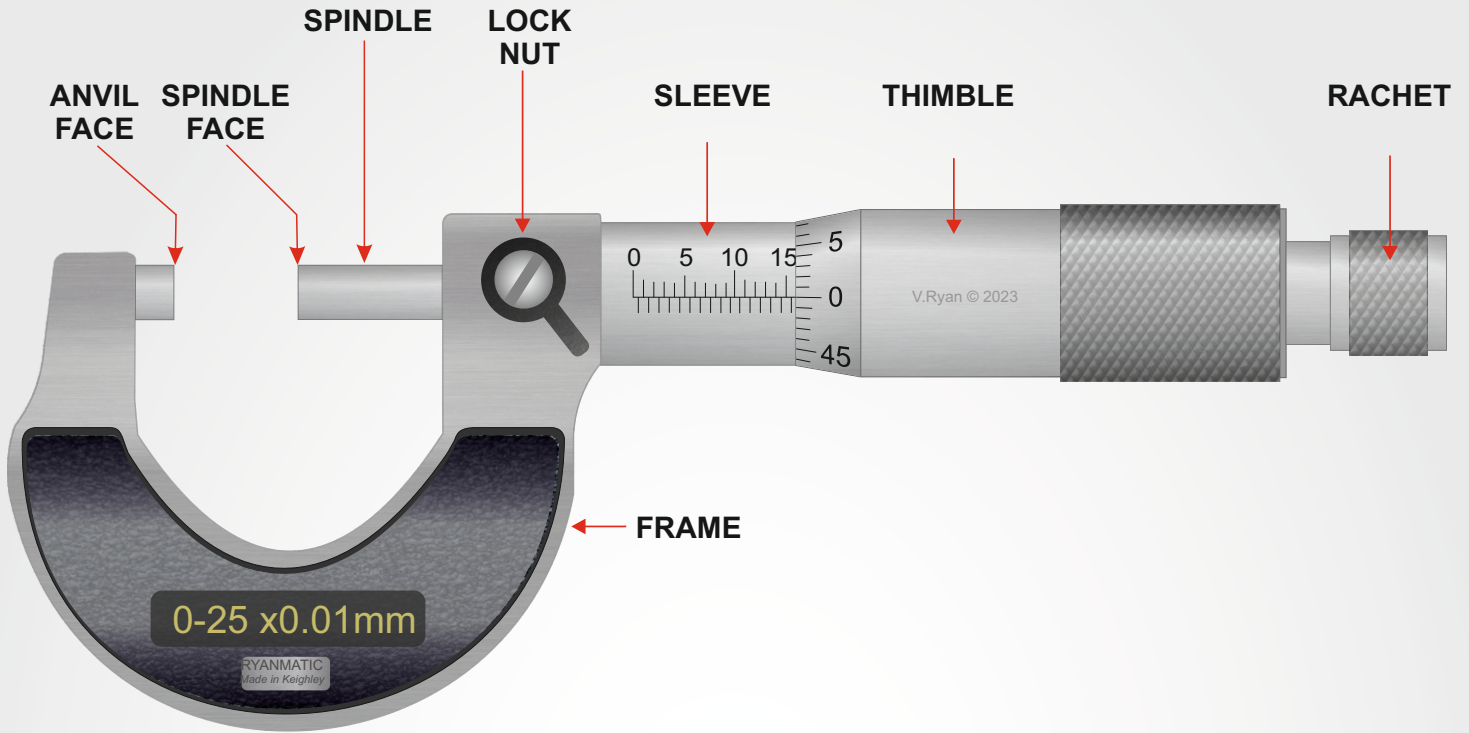
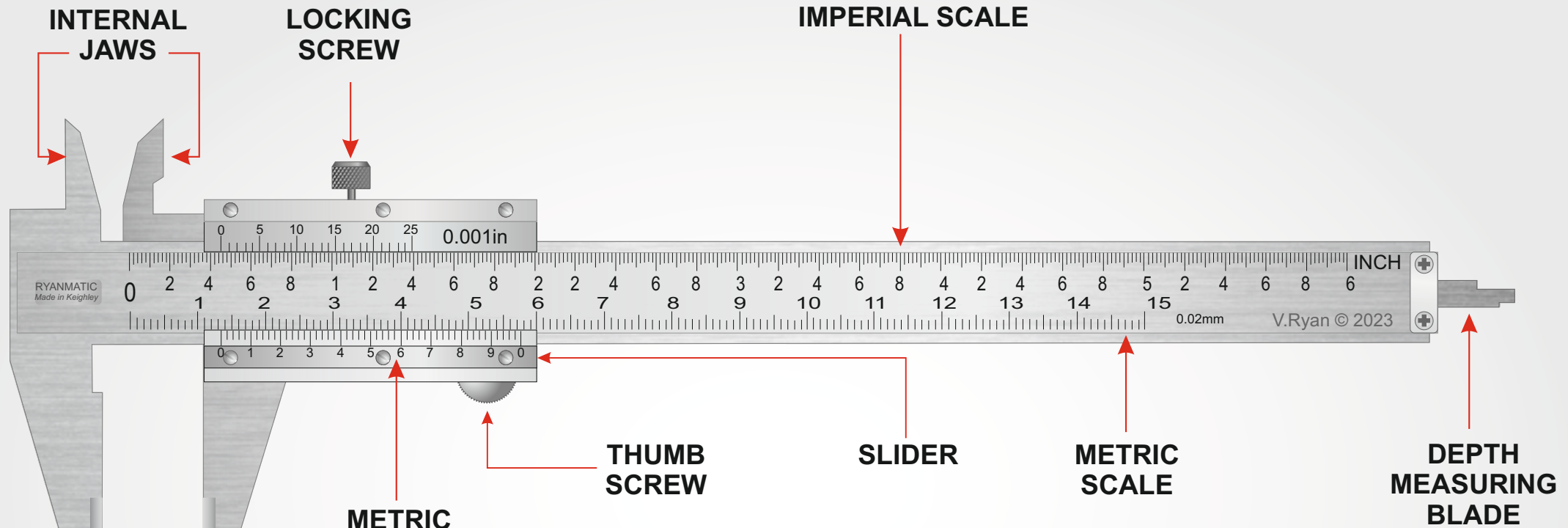


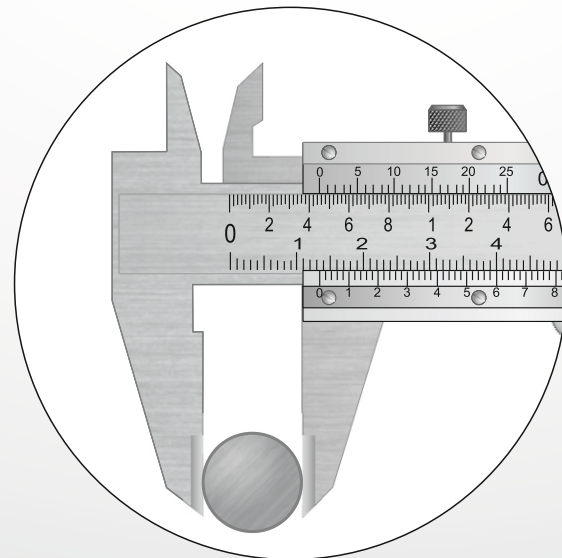
THE MICROMETER



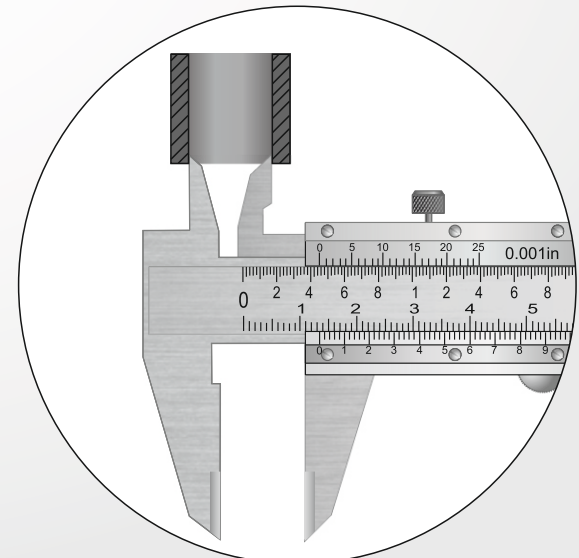
THE VERNIER CALIPER



EXTERNAL MEASUREMENT



INTERNAL MEASUREMENT



THE DEPTH GAUGE MICROMETER

