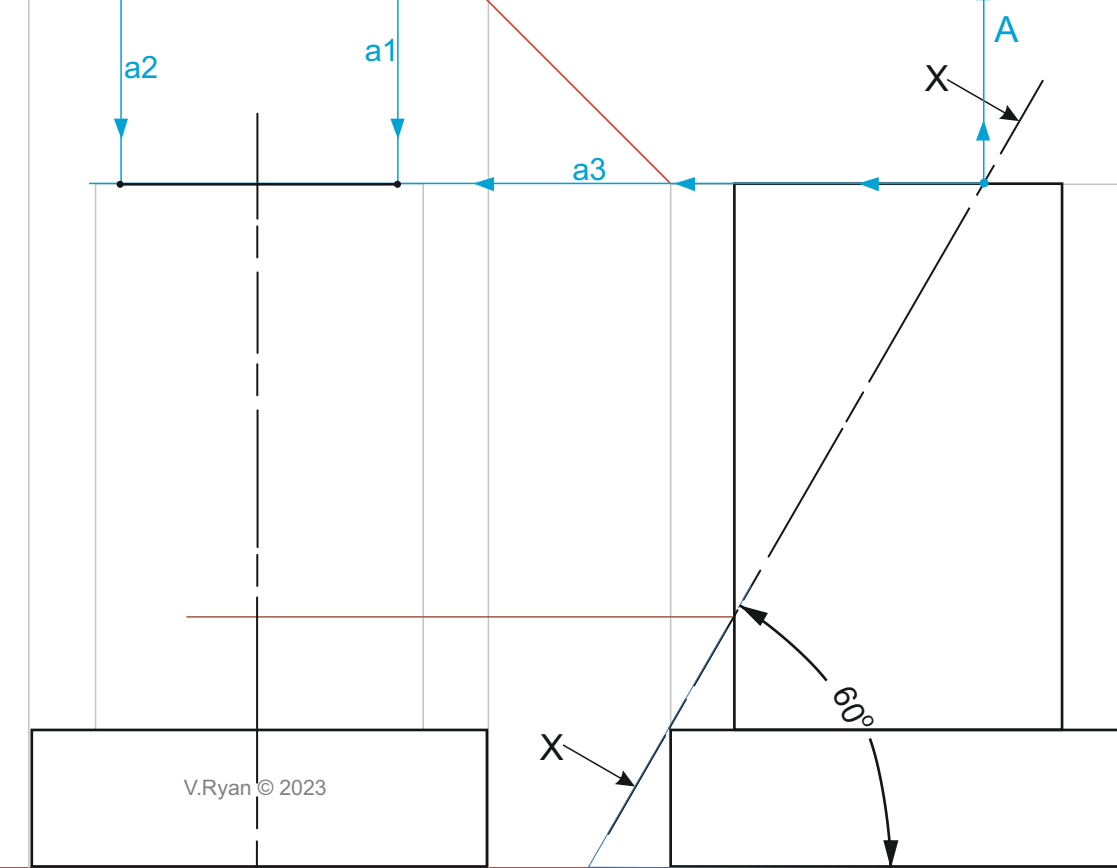
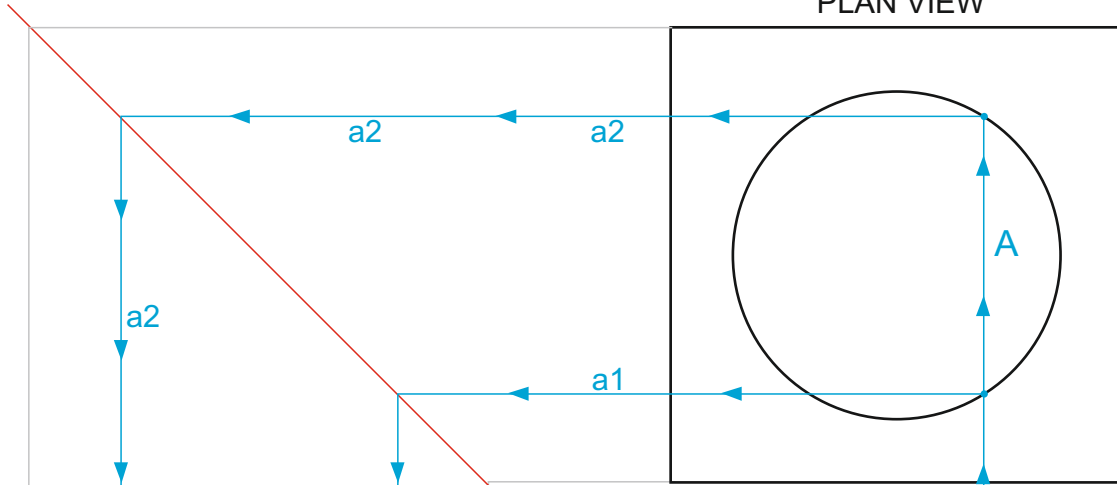


CURVES OF INTERSECTION

PLAN VIEW



FRONT VIEW

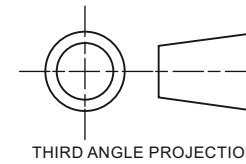
SIDE VIEW

HELPFUL LINK:

https://technologystudent.com/despro_3/curve2.html



COMPLETE THE FRONT VIEW OF THE SOLID OBJECT, BY ADDING THE CURVE OF INTERSECTION. THE FIRST TWO POINTS HAVE ALREADY BEEN PLOTTED FOR YOU.



THIRD ANGLE PROJECTION

