

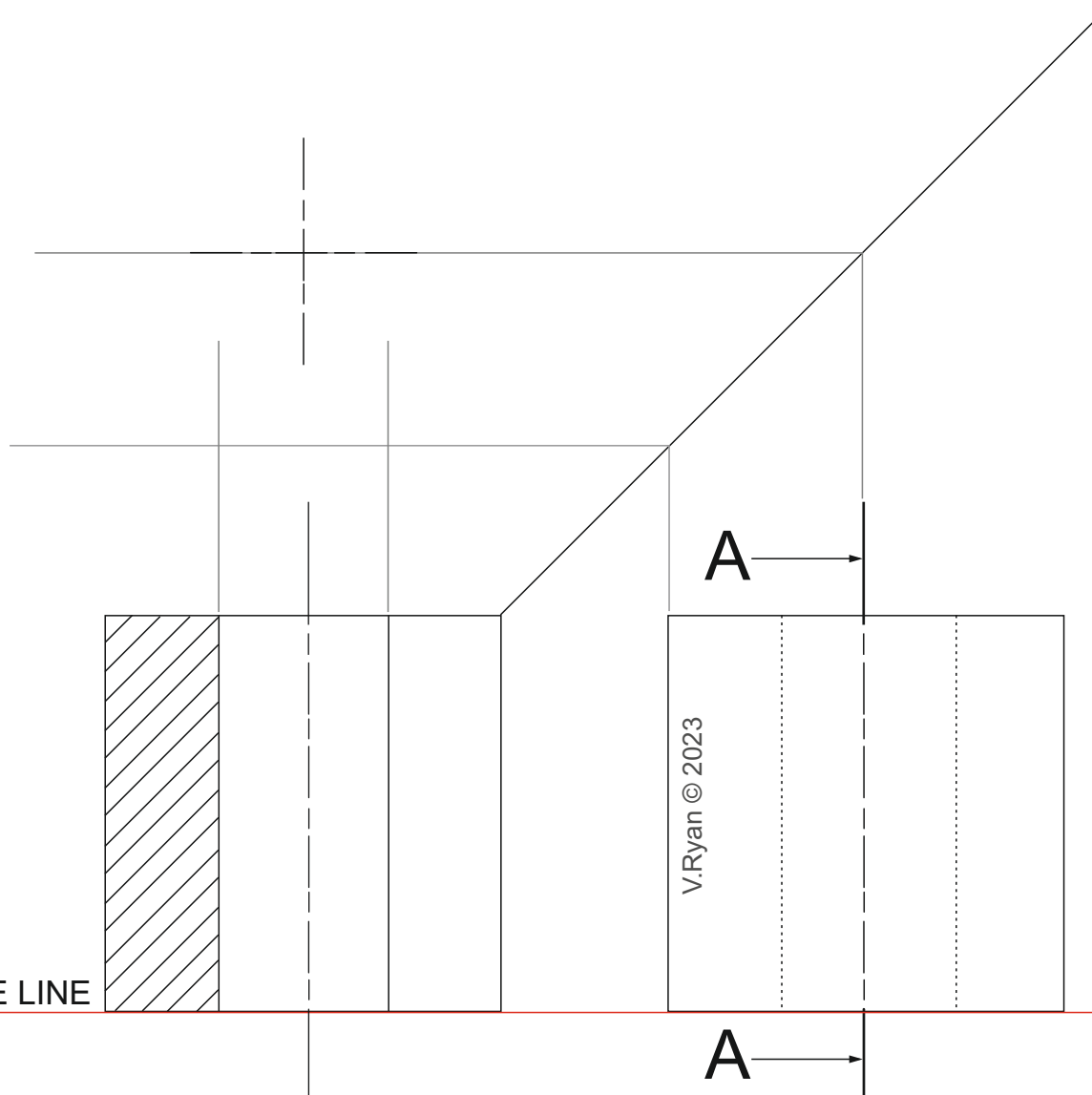
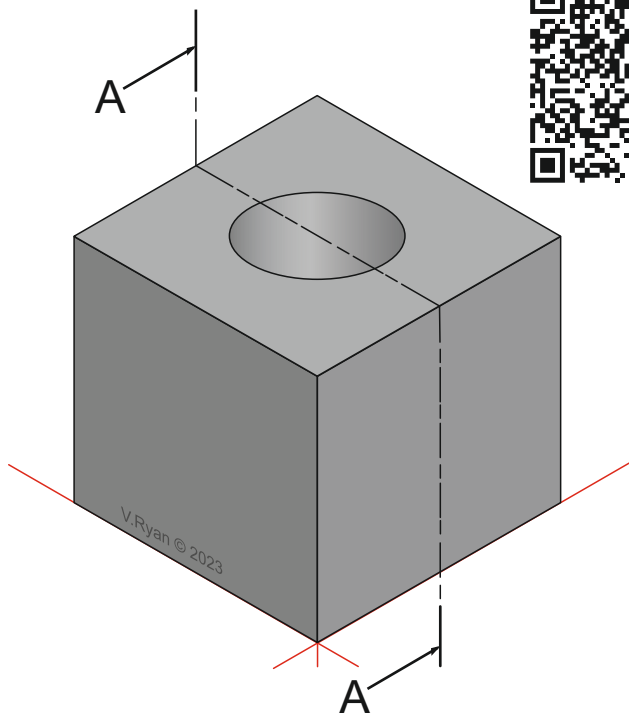
THIRD ANGLE ORTHOGRAPHIC DRAWING

HELPFUL LINK: https://technologystudent.com/despro_3/sectional1.html

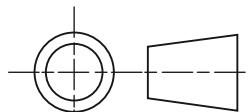
ORTHOGRAPHIC SECTIONAL VIEW (THIRD ANGLE PROJECTION)

**COMPLETE THE THREE VIEWS OF THE
SOLID OBJECT SHOWN BELOW,
INCLUDING A SECTIONAL END VIEW ON
'AA'.**

HELPFUL LINK



PLEASE ESTIMATE ALL MEASUREMENTS



THIRD ANGLE PROJECTION

SECTIONAL END VIEW ON 'AA'