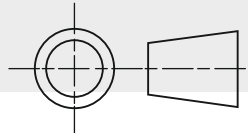


THIRD ANGLE ORTHOGRAPHIC DRAWING



THIRD ANGLE PROJECTION

COMPLETE THE THREE VIEWS OF THE SQUARE PYRAMID SHOWN OPPOSITE, INCLUDING A SECTIONAL PLAN VIEW ON 'XX'.

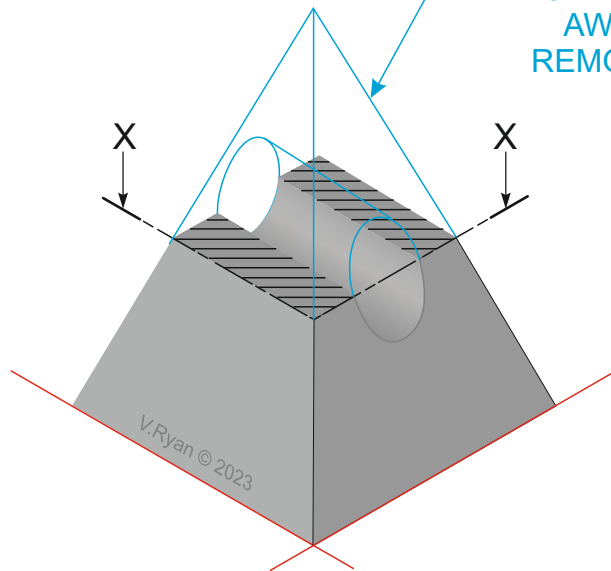
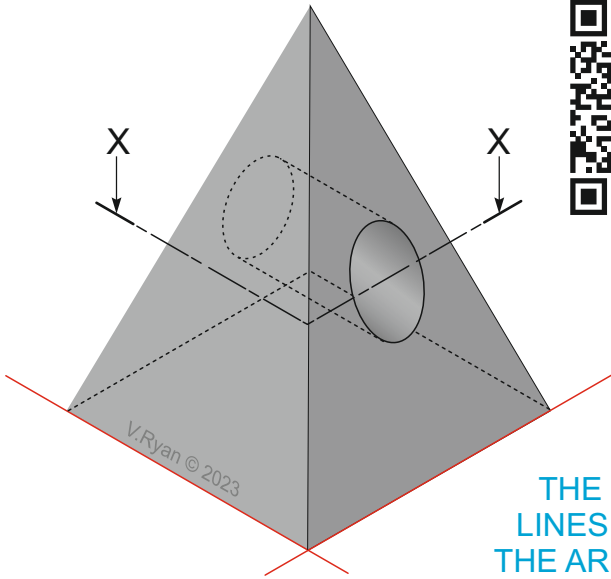
HELPFUL LINK: https://technologystudent.com/despro_3/sectional3.html

SQUARE PYRAMID

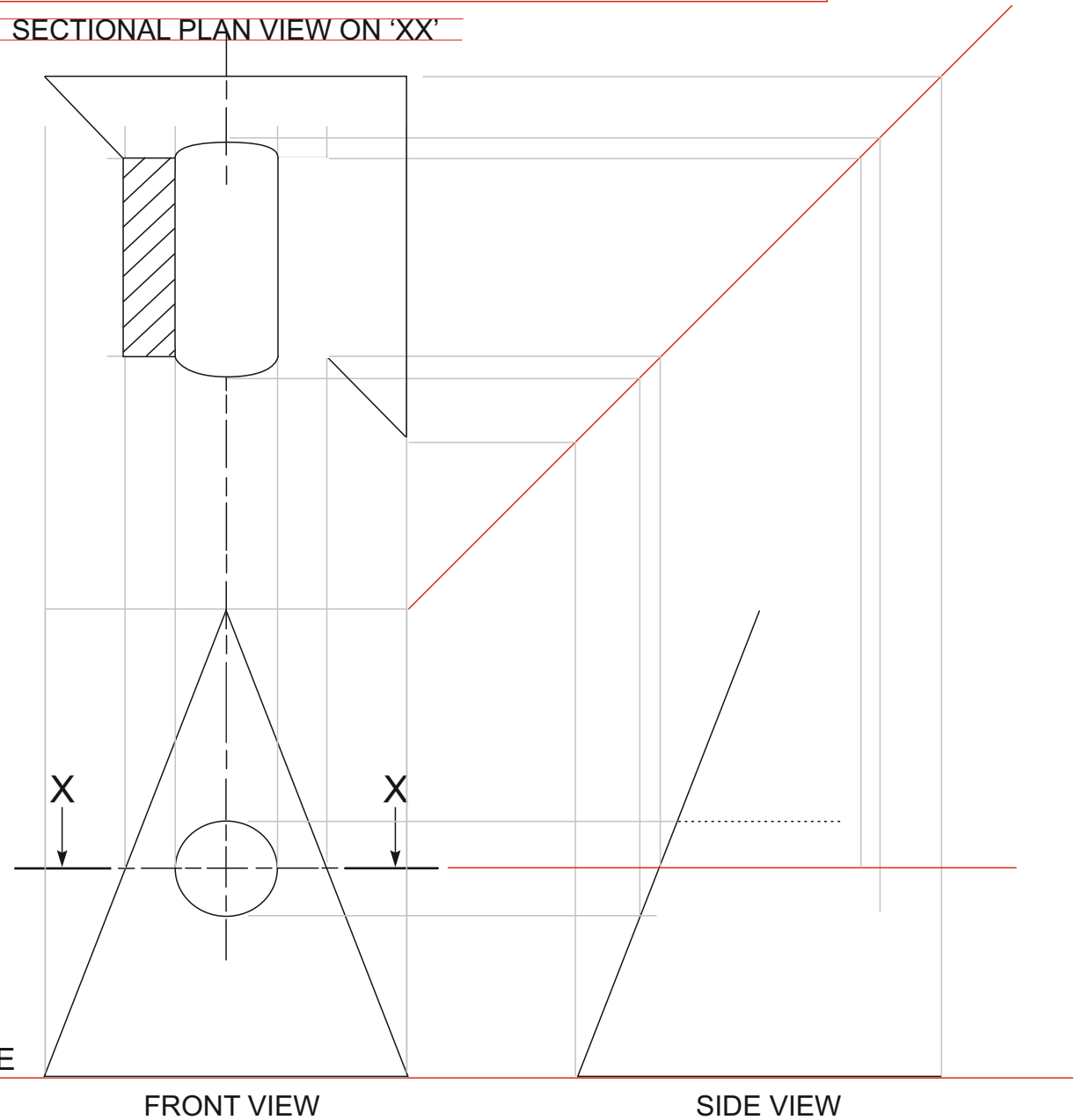
HELPFUL LINK



SECTIONAL PLAN VIEW ON 'XX'



THE BLUE LINES SHOW THE AREA THAT HAS BEEN CUT AWAY / REMOVED.



BASE LINE

FRONT VIEW

SIDE VIEW