

SECTIONAL VIEWS - THIRD ANGLE ORTHOGRAPHIC DRAWING

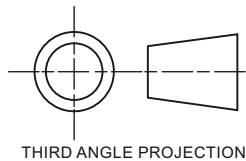
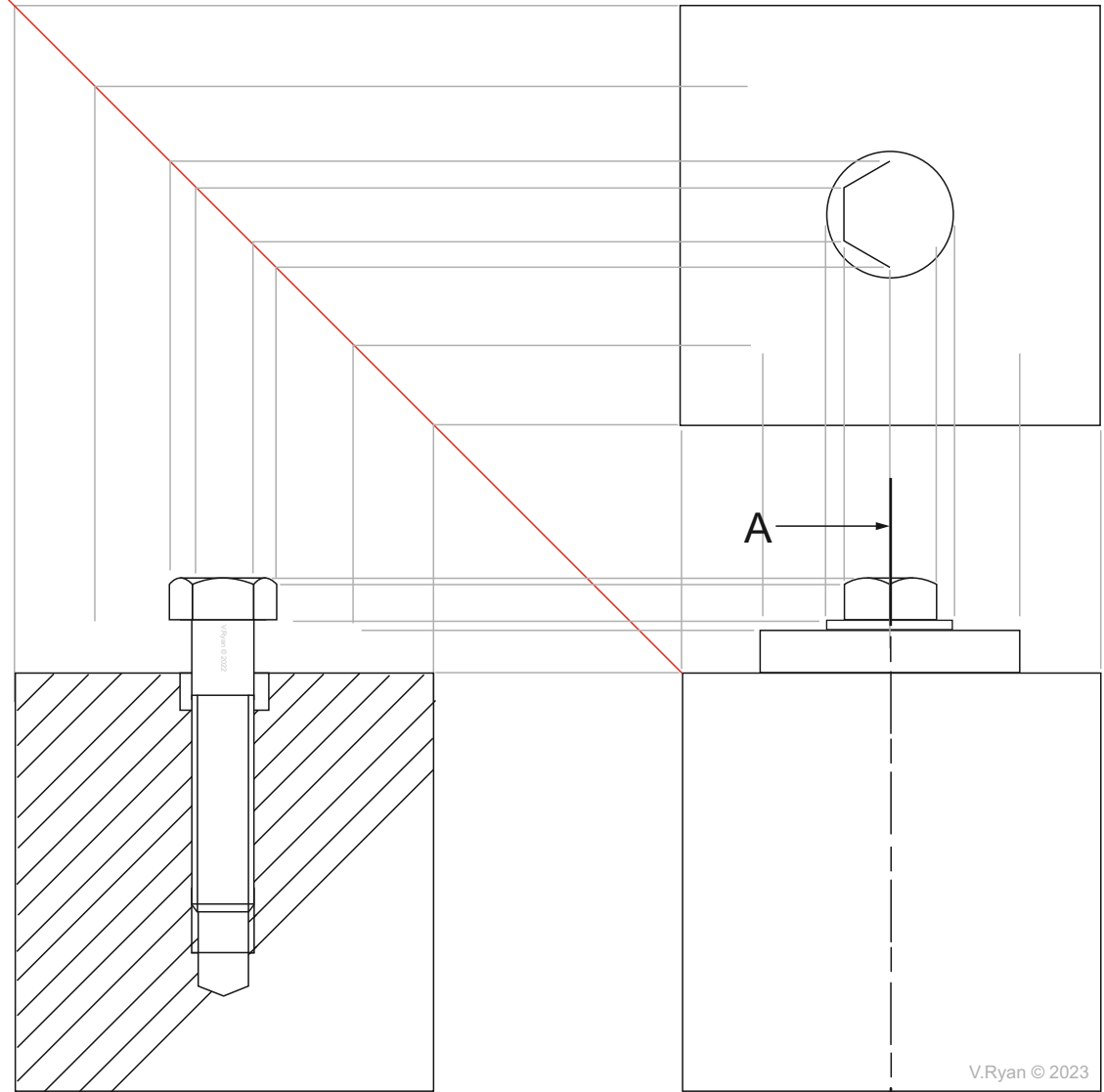
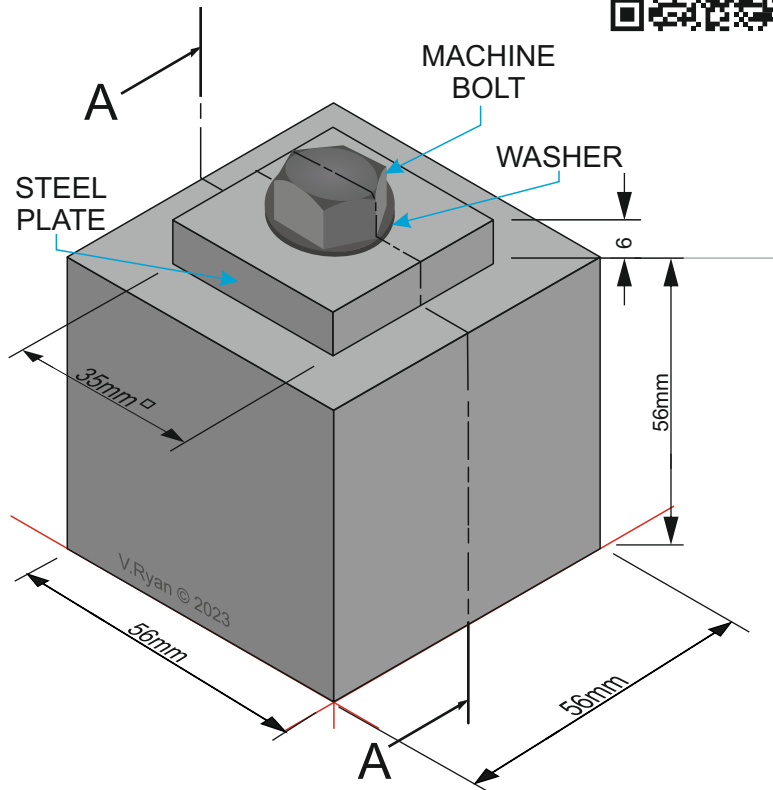
COMPLETE THE THREE VIEWS OF THE
BLOCK AND BOLT SHOWN BELOW,
INCLUDING THE SECTIONAL FRONT VIEW

HELPFUL LINK: https://technologystudent.com/despro_3/sectional4.html

PLAN VIEW

ADD SIX DIMENSIONS

HELPFUL LINK



SECTIONAL FRONT ELEVATION ON 'AA'

SIDE VIEW