

SECTIONAL VIEWS - THIRD ANGLE ORTHOGRAPHIC DRAWING

WORLD ASSOCIATION OF TECHNOLOGY TEACHERS

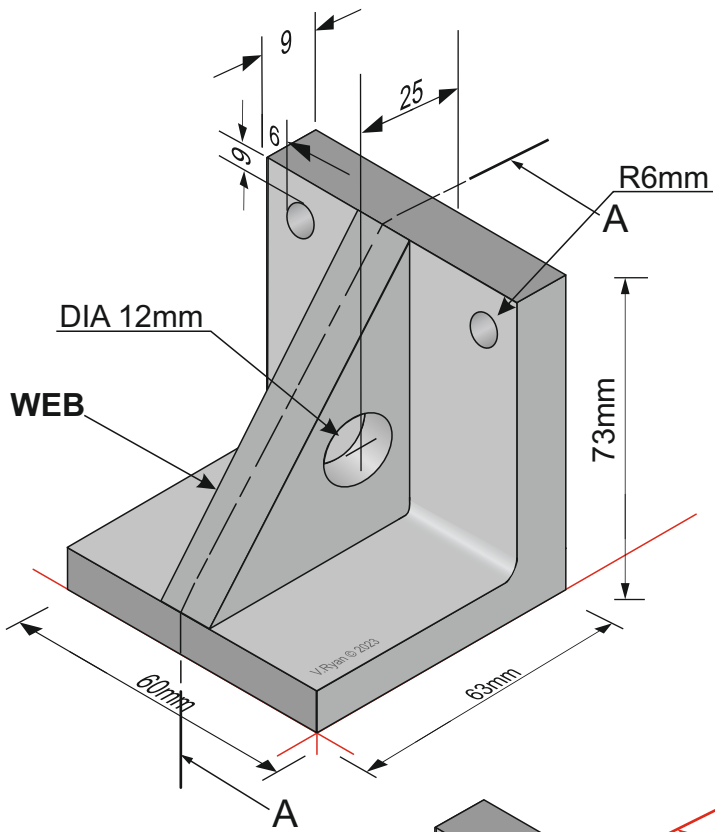
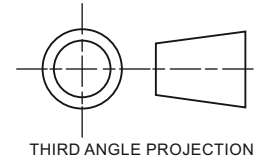
<https://www.facebook.com/groups/254963448192823/>

technologystudent.com © 2023

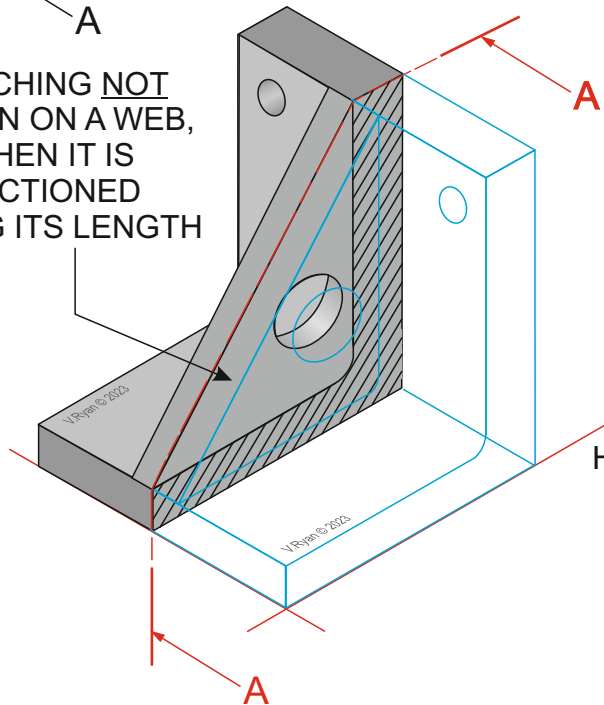
V.Ryan © 2023

**DRAW THE SECTIONAL SIDE VIEW AND ALSO THE FRONT VIEW OF THE CAST ALUMINIUM BRACKET.
FOLLOW THE DIMENSIONS SHOWN OPPOSITE. WHERE NECESSARY,
ESTIMATE MEASUREMENTS.**

**ADD SIX DIMENSIONS TO YOUR COMPLETED
ORTHOGRAPHIC DRAWING**



**HATCHING NOT
DRAWN ON A WEB,
WHEN IT IS
SECTIONED
ALONG ITS LENGTH**



HELPFUL LINK



FRONT VIEW

SECTIONAL SIDE ELEVATION ON 'AA'

HELPFUL LINK: https://technologystudent.com/despro_3/sectional6.html