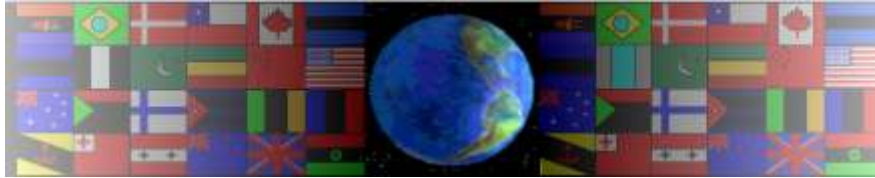


BICYCLE GEARS - VELOCITY RATIO

V.Ryan © 2000 - 2010

On behalf of The World Association of Technology Teachers

W.A.T.T.



World Association of Technology Teachers

This exercise can be printed and used by teachers and students. It is recommended that you view the website (www.technologystudent.com) before attempting the design sheet .

THESE MATERIALS CAN BE PRINTED AND USED BY TEACHERS AND STUDENTS.
THEY MUST NOT BE EDITED IN ANY WAY OR PLACED ON ANY OTHER MEDIA INCLUDING WEB SITES AND INTRANETS.
NOT FOR COMMERCIAL USE.
THIS WORK IS PROTECTED BY COPYRIGHT LAW.
IT IS ILLEGAL TO DISPLAY THIS WORK ON ANY WEBSITE/MEDIA STORAGE OTHER THAN www.technologystudent.com

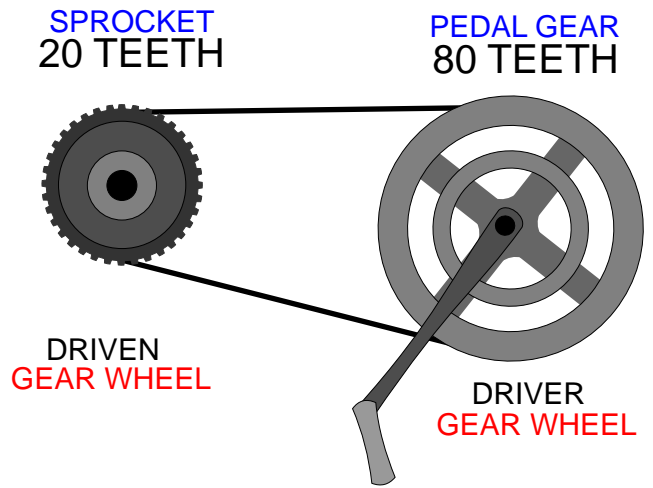
THE BASICS - GEARS - VELOCITY RATIO

V.Ryan © 2010 World Association of Technology Teachers

1. If the pedal gear revolves once how many times will the sprocket gear revolve?

$$\frac{\text{No OF TEETH ON PEDAL GEAR}}{\text{No OF TEETH ON SPROCKET}} = \frac{\quad}{\quad} =$$

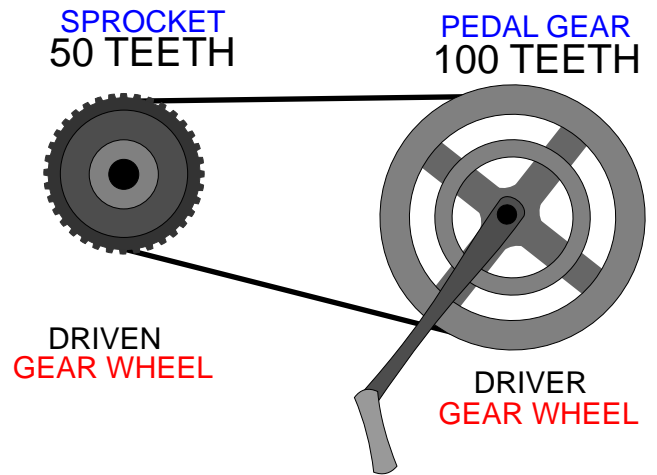
The gear ratio is : $1 : \quad$
 PEDAL GEAR SPROCKET GEAR



2. If the pedal gear revolves once how many times will the sprocket gear revolve?

$$\frac{\text{No OF TEETH ON PEDAL GEAR}}{\text{No OF TEETH ON SPROCKET}} = \frac{\quad}{\quad} =$$

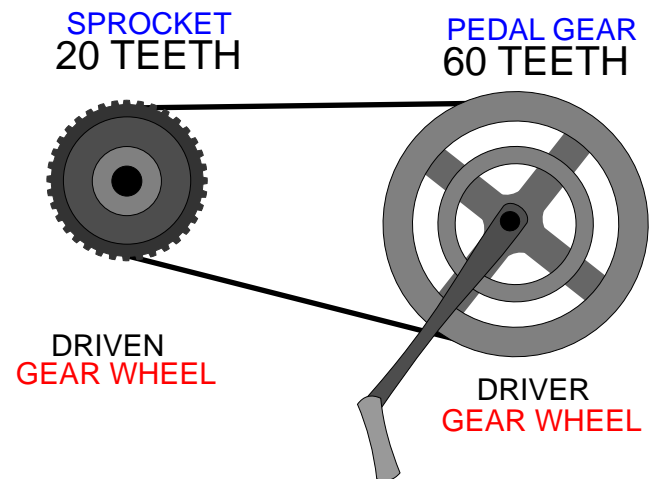
The gear ratio is : $1 : \quad$
 PEDAL GEAR SPROCKET GEAR



3. If the pedal gear revolves once how many times will the sprocket gear revolve?

$$\frac{\text{No OF TEETH ON PEDAL GEAR}}{\text{No OF TEETH ON SPROCKET}} = \frac{\quad}{\quad} =$$

The gear ratio is : $1 : \quad$
 PEDAL GEAR SPROCKET GEAR



4. If the pedal gear revolves once how many times will the sprocket gear revolve?

$$\frac{\text{No OF TEETH ON PEDAL GEAR}}{\text{No OF TEETH ON SPROCKET}} = \frac{\quad}{\quad} =$$

The gear ratio is : $1 : \quad$
 PEDAL GEAR SPROCKET GEAR

