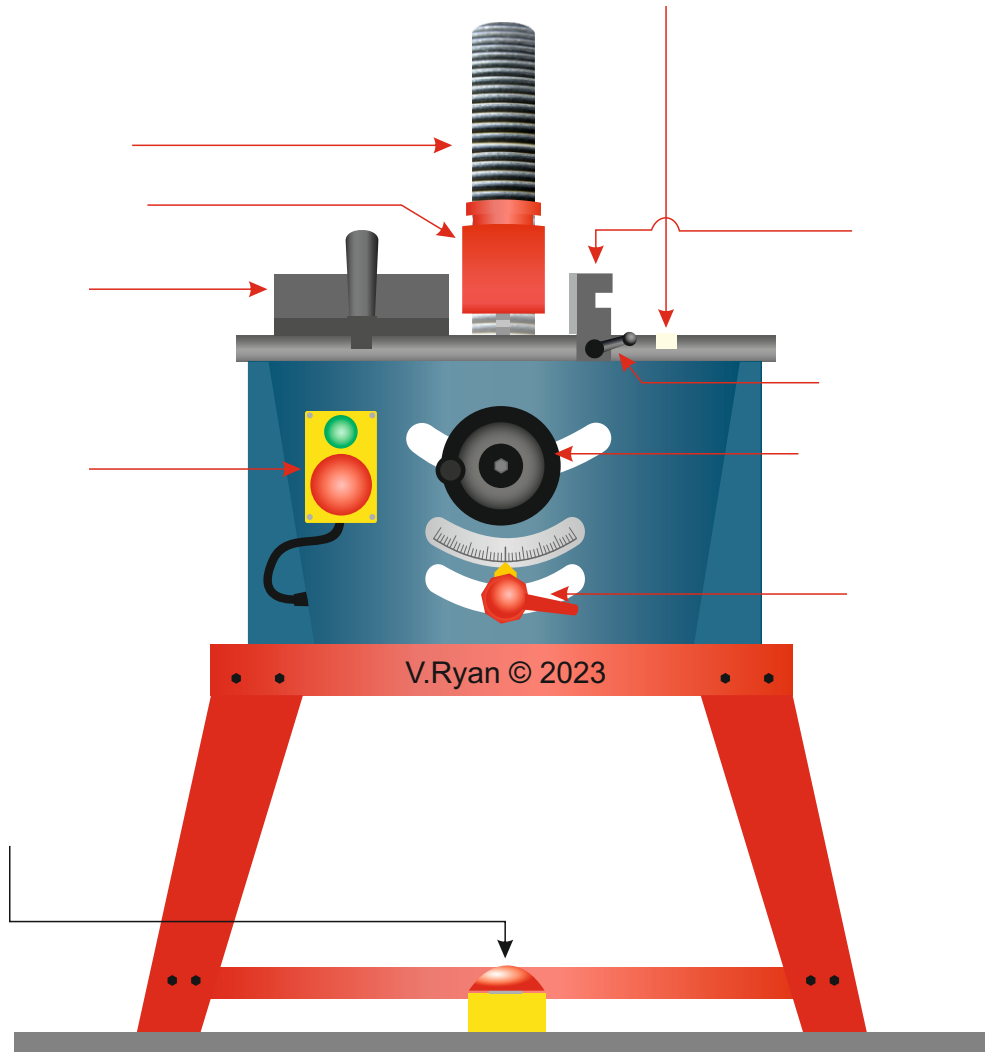


THE TABLE CIRCULAR SAW - EXAMINATION QUESTIONS

WORLD ASSOCIATION OF TECHNOLOGY TEACHERS <https://www.facebook.com/groups/254963448192823/> www.technologystudent.com © 2023 V.Ryan © 2023

HELPFUL LINK: <https://technologystudent.com/pwtol/circsw2.htm>

1. Complete the diagram of the Table Circular Saw, by adding the labels indicated by the arrows. **10 marks**



2. Describe the safe use of the table circular saw, shown above. Continue your answer on the next page) **8 marks**

THE TABLE CIRCULAR SAW - EXAMINATION QUESTIONS

WORLD ASSOCIATION OF TECHNOLOGY TEACHERS <https://www.facebook.com/groups/254963448192823/> www.technologystudent.com © 2023 V.Ryan © 2023

HELPFUL LINK:

<https://technologystudent.com/pwtol/circsw2.htm>

2. Continued.....

3. Describe the use of the circular saw, as seen in diagram A and B. Write your answers on the next page. **4 marks**

DIAGRAM 'A'

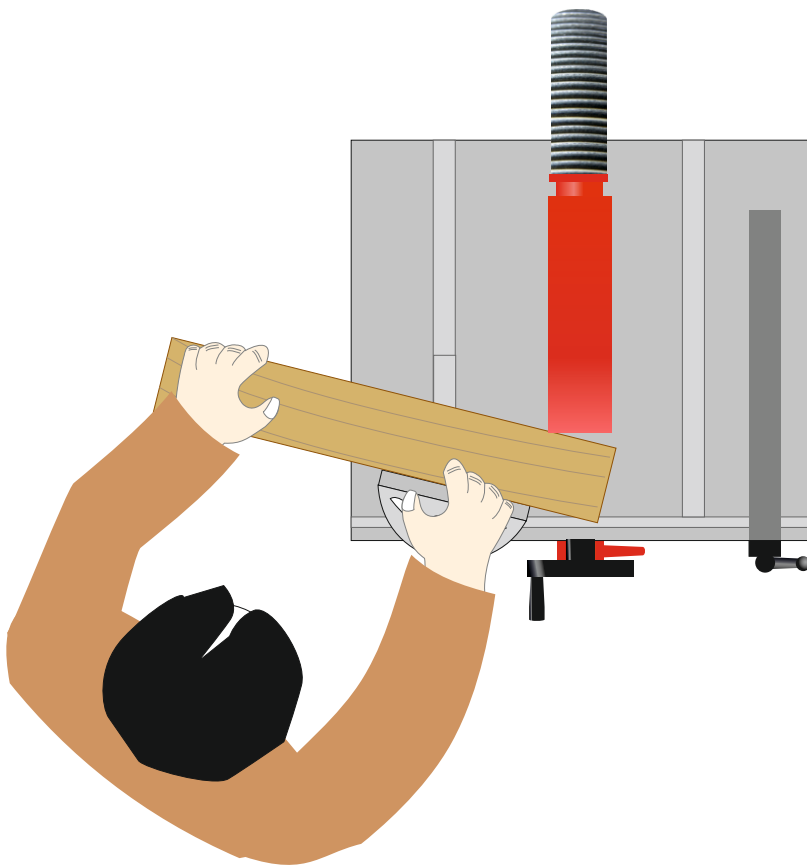
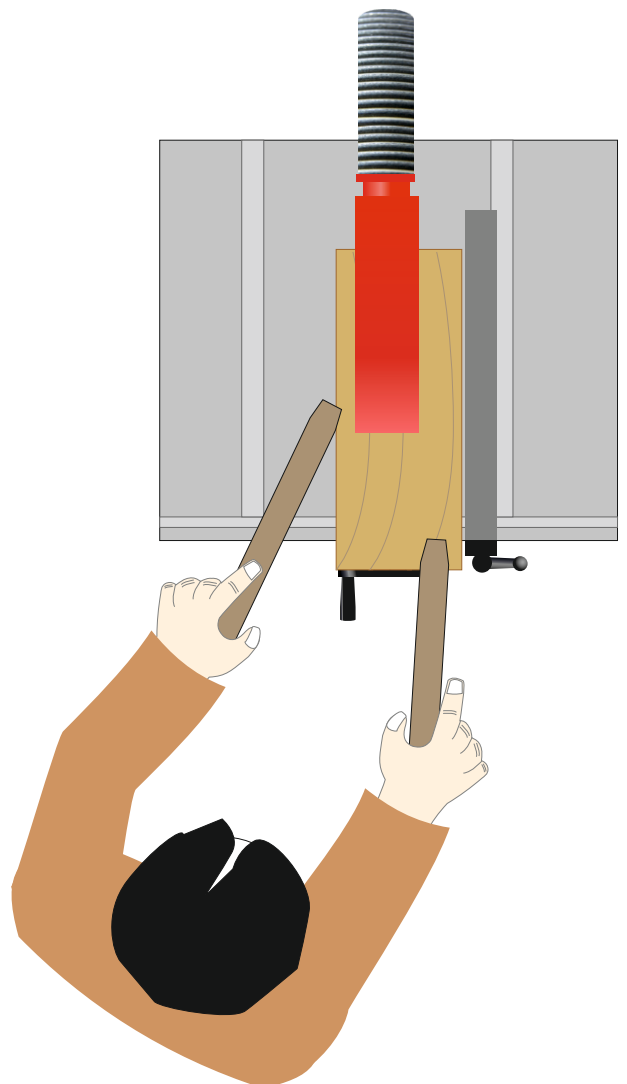


DIAGRAM 'B'



THE TABLE CIRCULAR SAW - EXAMINATION QUESTIONS

WORLD ASSOCIATION OF TECHNOLOGY TEACHERS <https://www.facebook.com/groups/254963448192823/> www.technologystudent.com © 2023 V.Ryan © 2023

HELPFUL LINK:

<https://technologystudent.com/pwtol/circsw2.htm>

DIAGRAM A:

DIAGRAM B:
