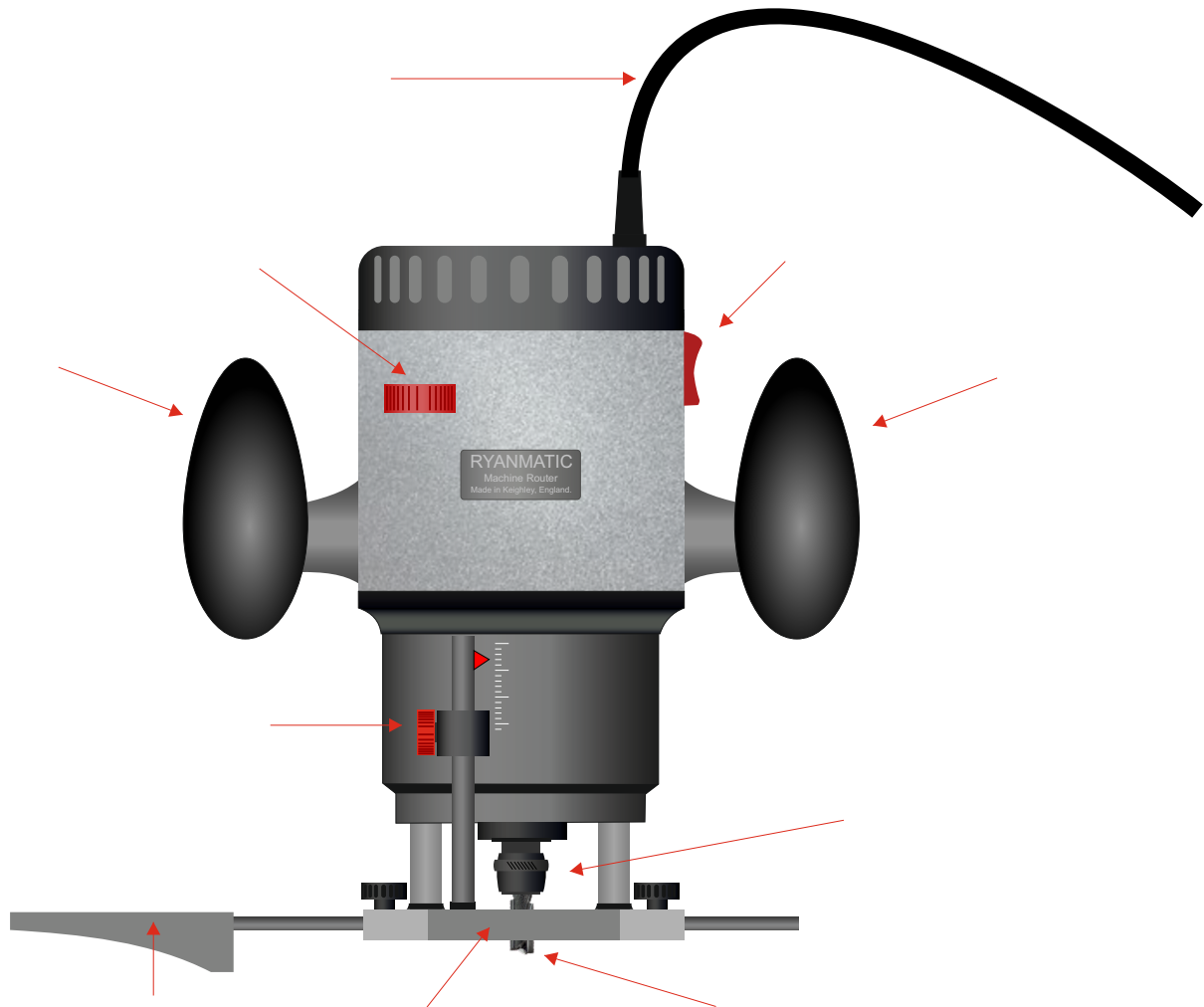


# MACHINE ROUTER - EXAMINATION QUESTIONS

**HELPFUL LINK:** <https://www.technologystudent.com/pwtol/rout1.htm>

1. Complete the diagram of the Machine Router, by adding the labels indicated by the arrows.  
**10 marks**



2. Describe the safe use of the Router shown in the diagram above. **4 marks**

---

---

---

---

---

---