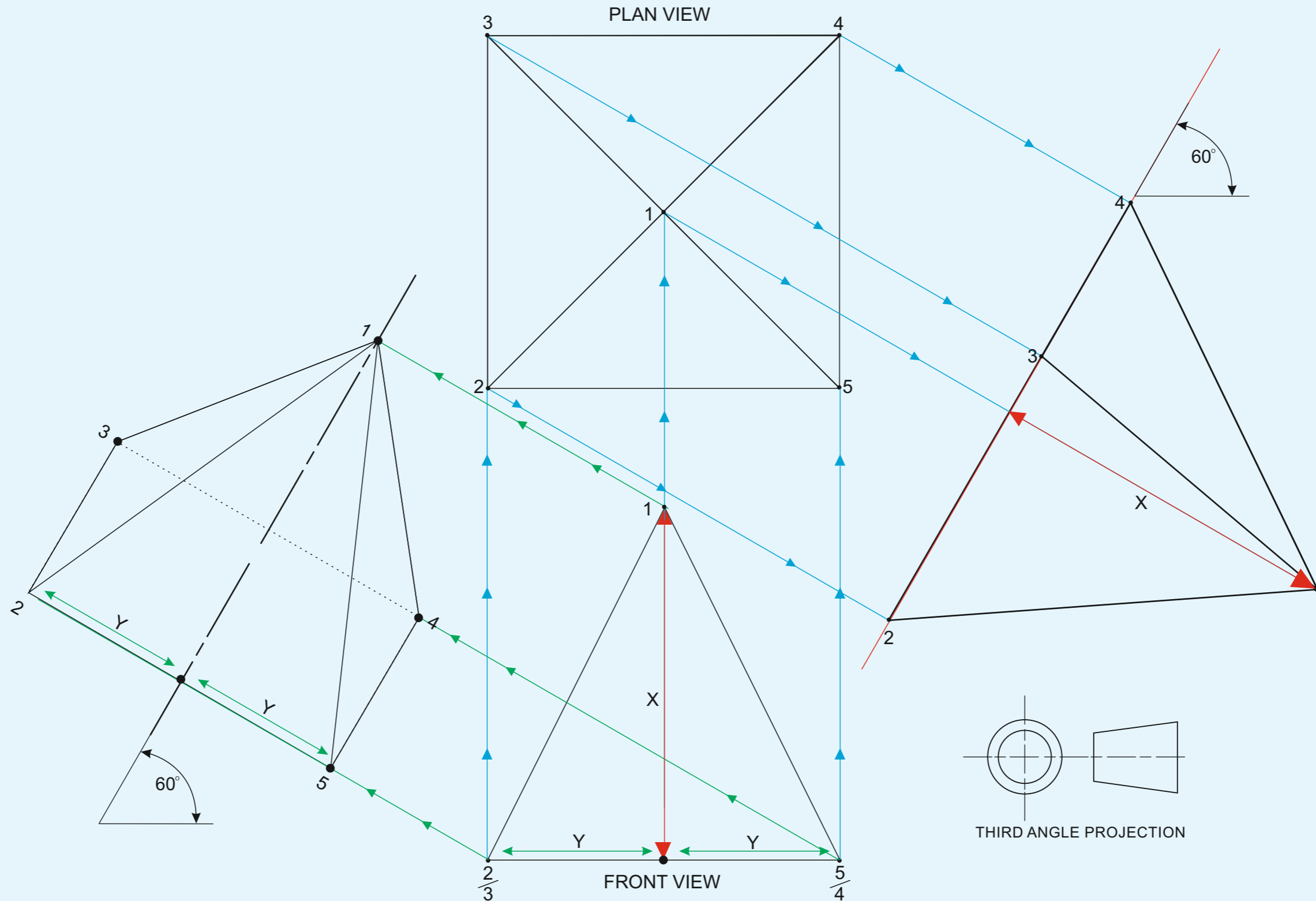


AUXILIARY VIEWS

EXERCISE BOOK



AUXILIARY VIEWS - ORTHOGRAPHIC DRAWING

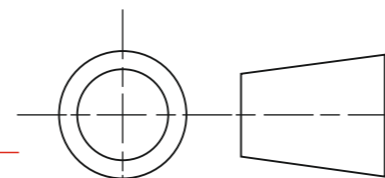
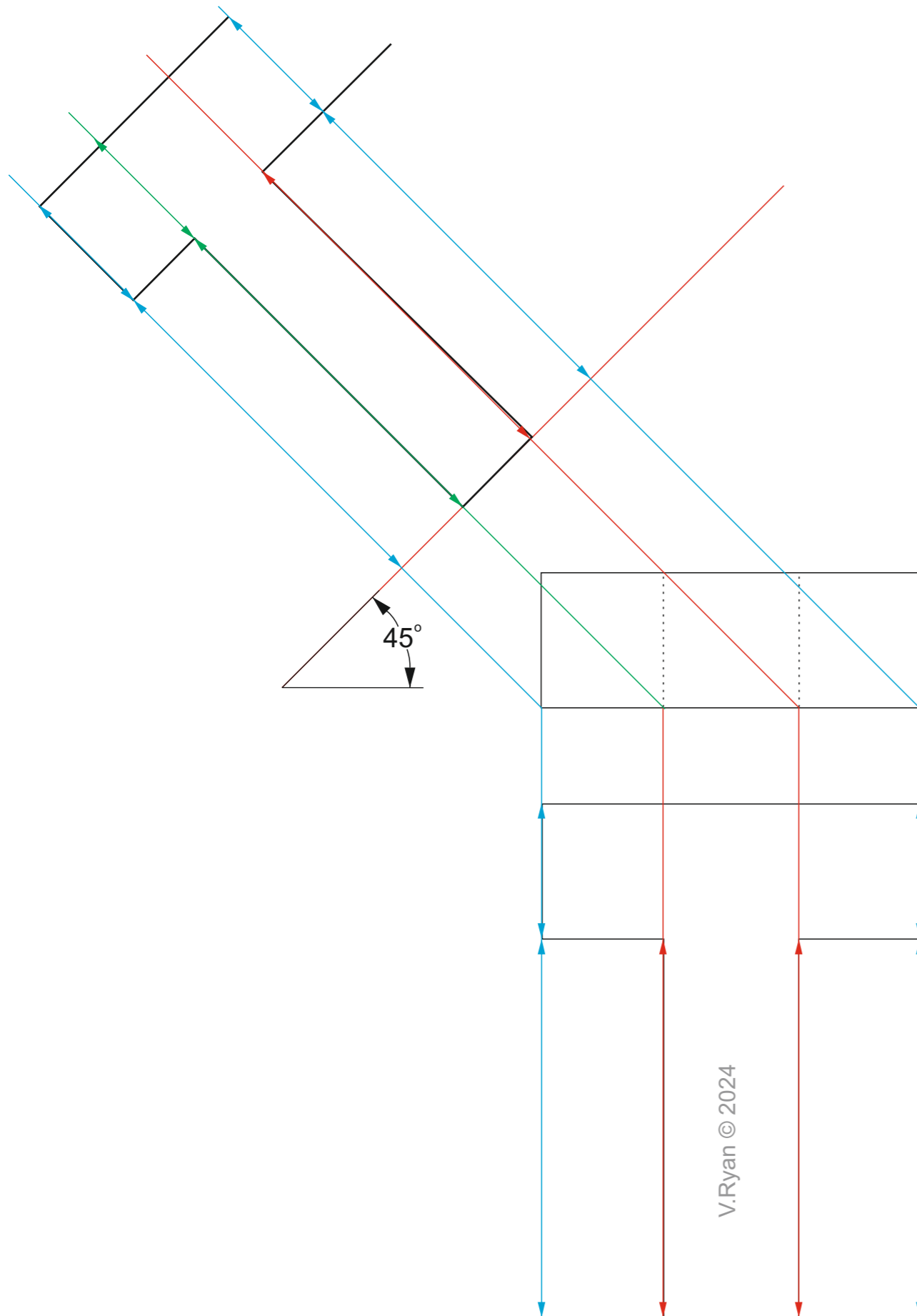
QUESTION

Complete the auxiliary view, of the 'T' shaped object shown opposite.
Details and dimensions of the object are shown on the right.

HELPFUL LINK:

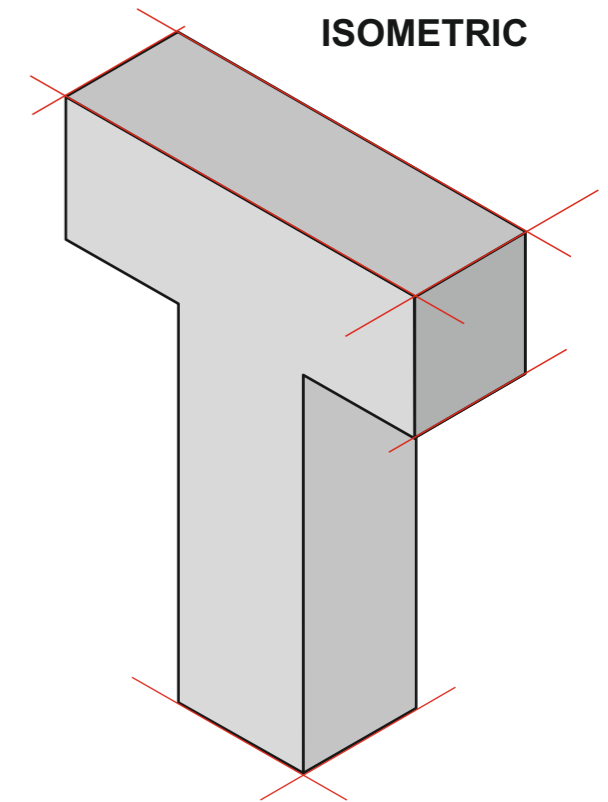
https://technologystudent.com/despro_3/auxil1.html

HELPFUL LINK



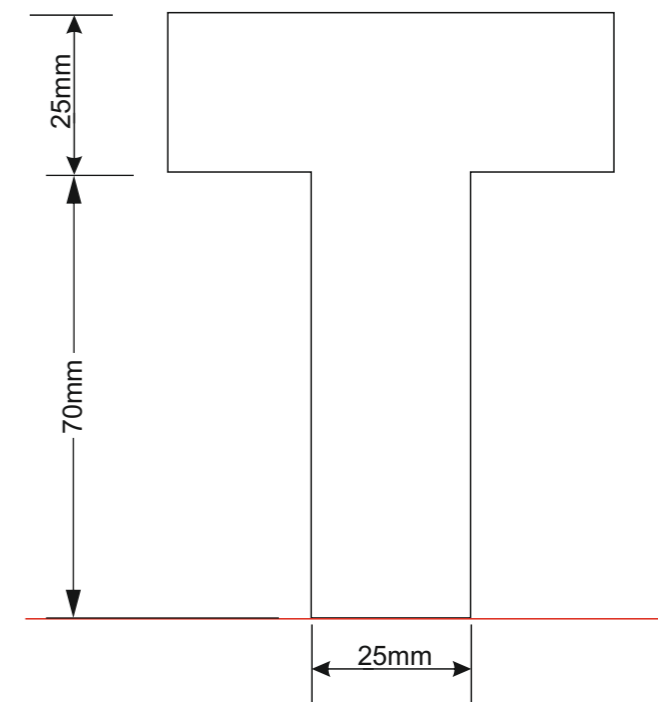
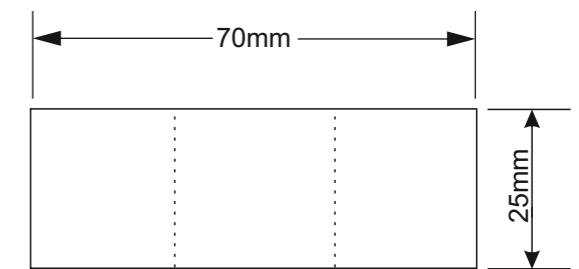
THIRD ANGLE PROJECTION

ISOMETRIC



DIMENSIONS

(not drawn to scale)



AUXILIARY VIEWS - ORTHOGRAPHIC DRAWING

WORLD ASSOCIATION OF TECHNOLOGY TEACHERS

<https://www.facebook.com/groups/254963448192823/>

technologystudent.com © 2024

V.Ryan © 2024

QUESTION

Draw the front, side and auxiliary views, of the 'T' shaped object shown opposite.

Details and dimensions of the object / part are shown on the right.

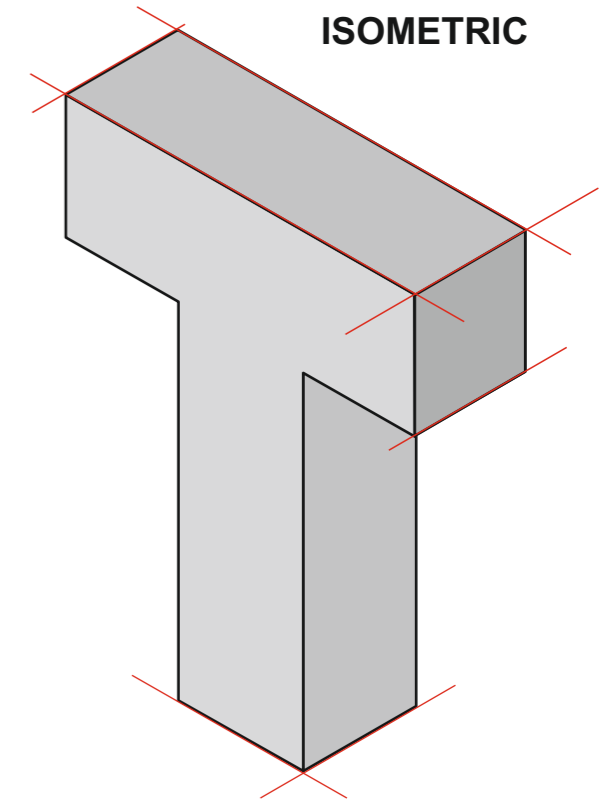
HELPFUL LINK:

https://technologystudent.com/despro_3/auxil1.html

HELPFUL LINK

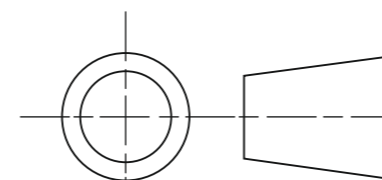
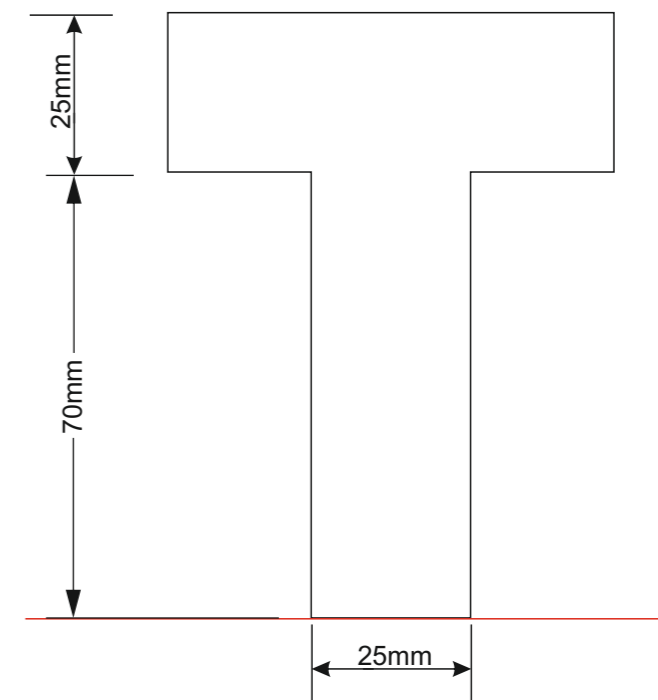
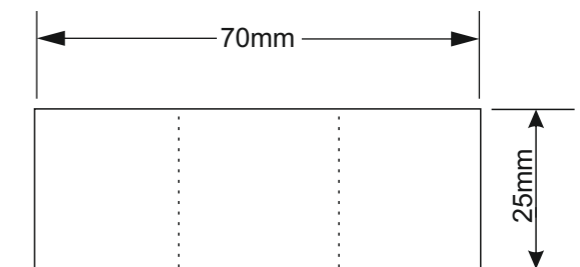


ISOMETRIC



DIMENSIONS

(not drawn to scale)



THIRD ANGLE PROJECTION

AUXILIARY VIEWS - ORTHOGRAPHIC DRAWING

QUESTION

Complete the auxiliary view, of the circular disk shown opposite. Details and dimensions of the object are shown on the right.

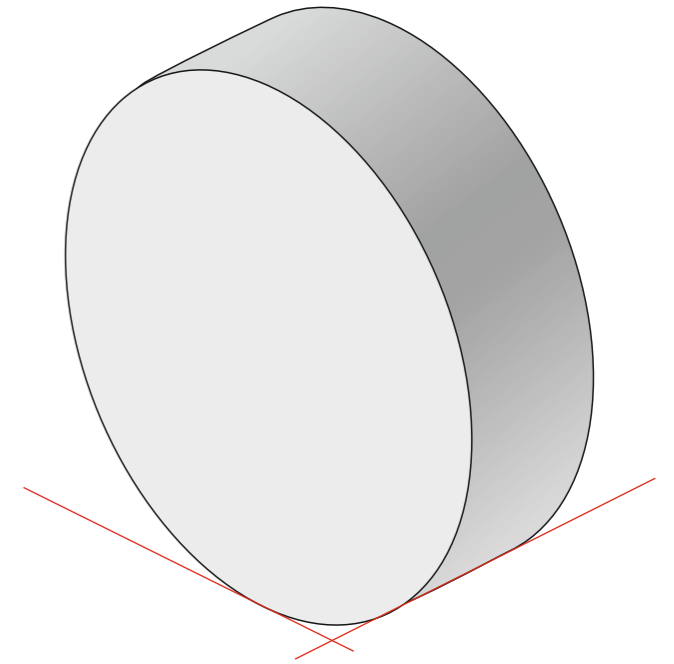
HELPFUL LINK:

https://technologystudent.com/despro_3/auxil2.html

HELPFUL LINK

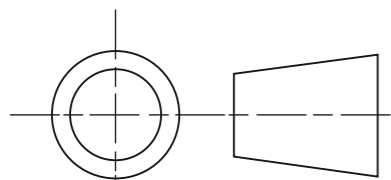
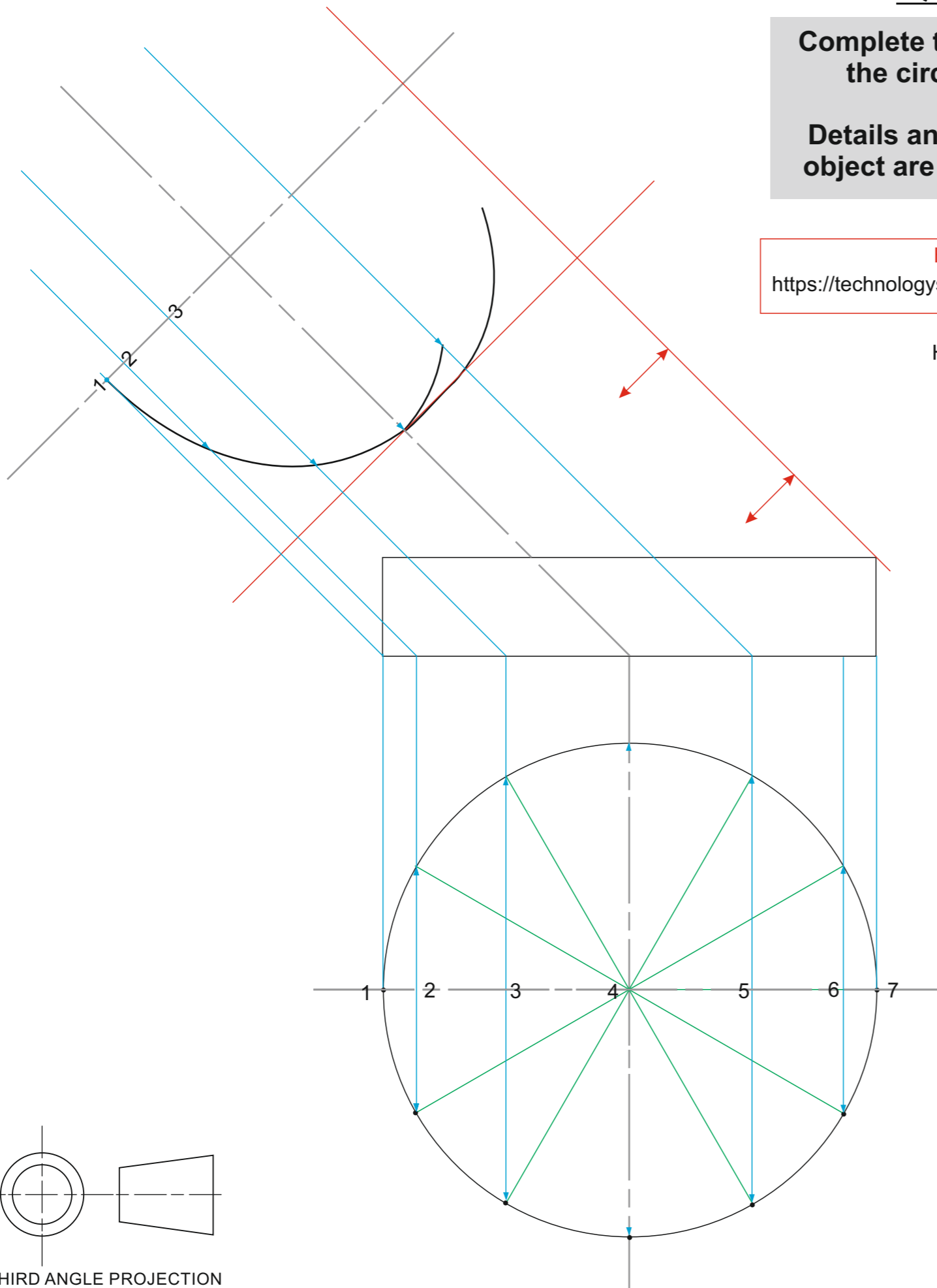
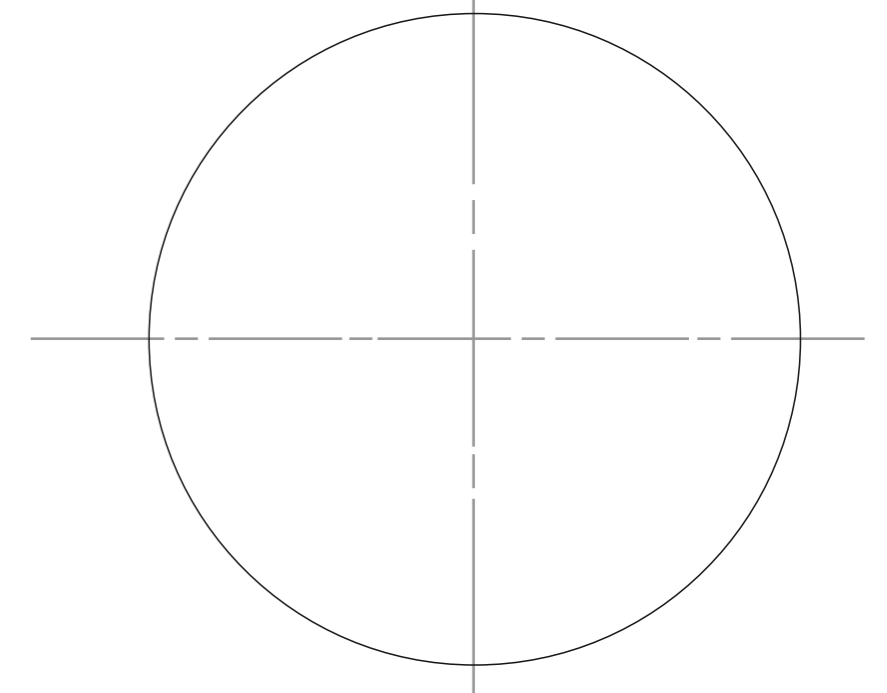
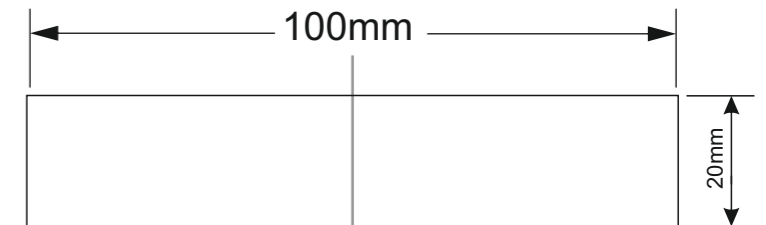


ISOMETRIC



DIMENSIONS

(not drawn to scale)



THIRD ANGLE PROJECTION

AUXILIARY VIEWS - ORTHOGRAPHIC DRAWING

WORLD ASSOCIATION OF TECHNOLOGY TEACHERS

<https://www.facebook.com/groups/254963448192823/>

technologystudent.com © 2024

V.Ryan © 2024

QUESTION

Draw the front, side and auxiliary view, of the circular disk shown opposite. Details and dimensions of the object are shown on the right.

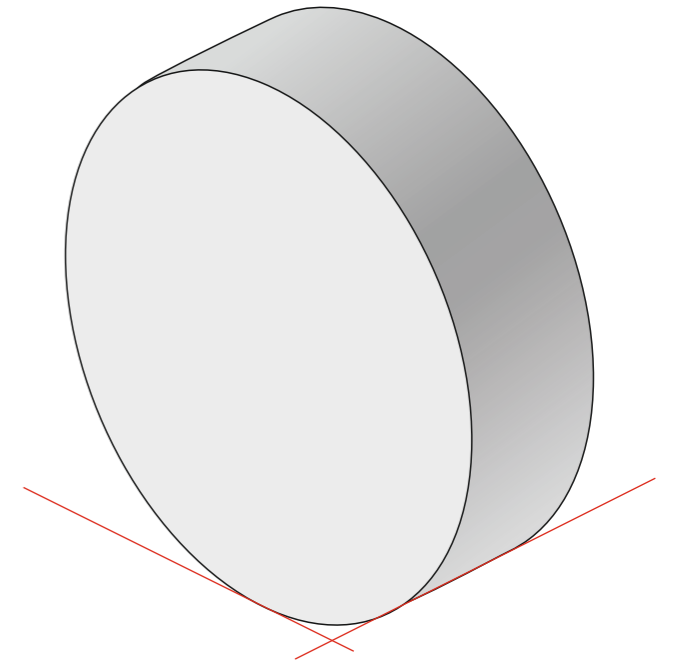
HELPFUL LINK:

https://technologystudent.com/despro_3/auxil2.html

HELPFUL LINK

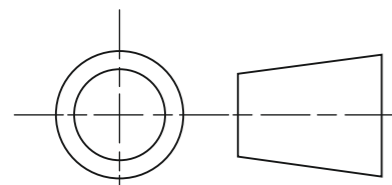
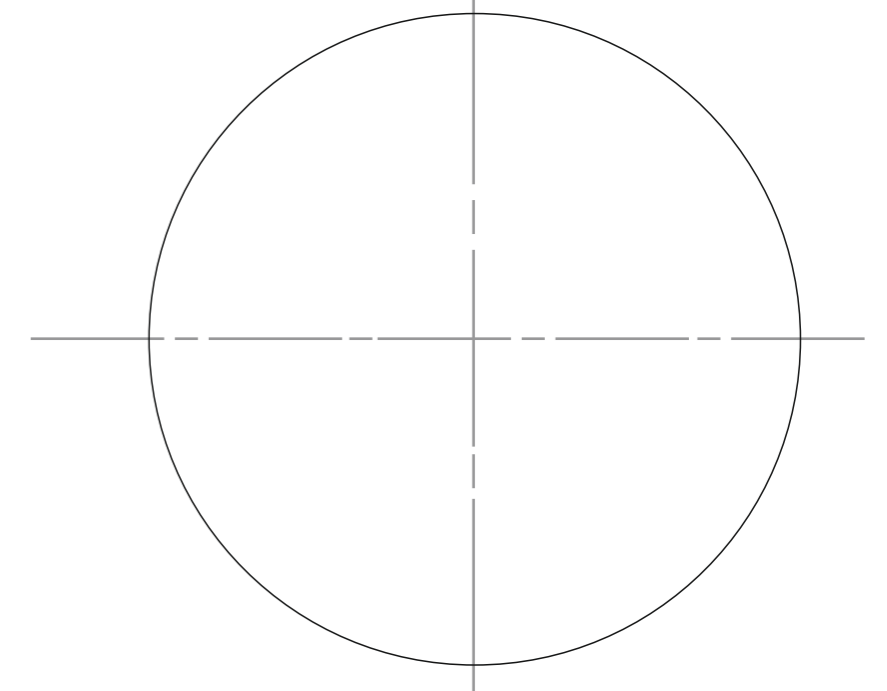
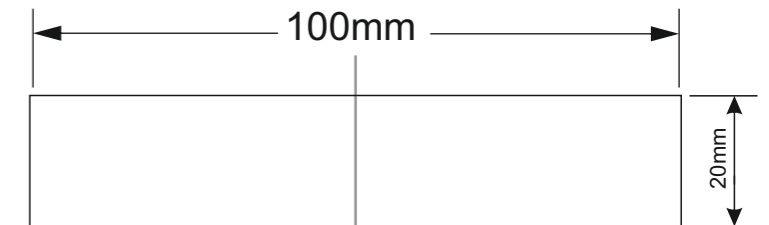


ISOMETRIC



DIMENSIONS

(not drawn to scale)



THIRD ANGLE PROJECTION

AUXILIARY VIEWS - ORTHOGRAPHIC DRAWING

WORLD ASSOCIATION OF TECHNOLOGY TEACHERS

<https://www.facebook.com/groups/254963448192823/>

technologystudent.com © 2023

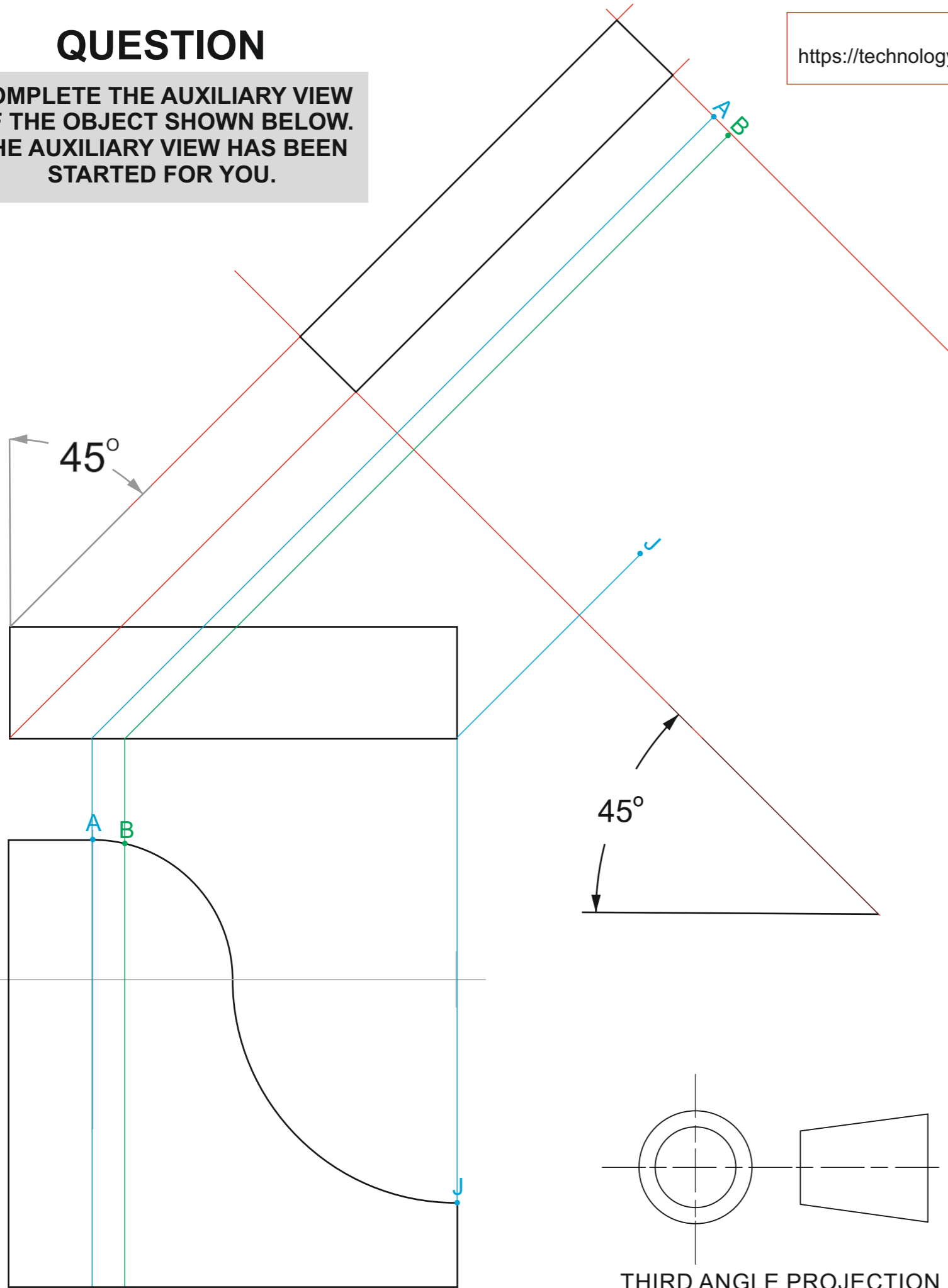
V.Ryan © 2023

QUESTION

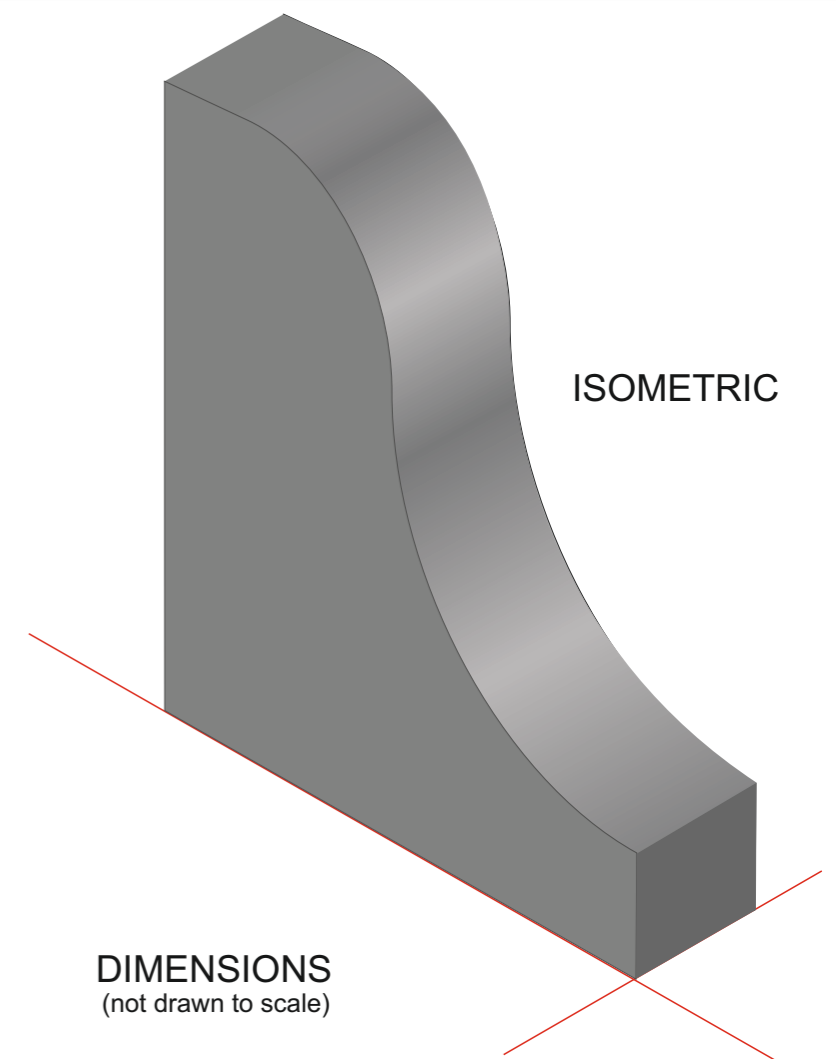
COMPLETE THE AUXILIARY VIEW OF THE OBJECT SHOWN BELOW. THE AUXILIARY VIEW HAS BEEN STARTED FOR YOU.

HELPFUL LINK:
https://technologystudent.com/despro_3/auxil3.html

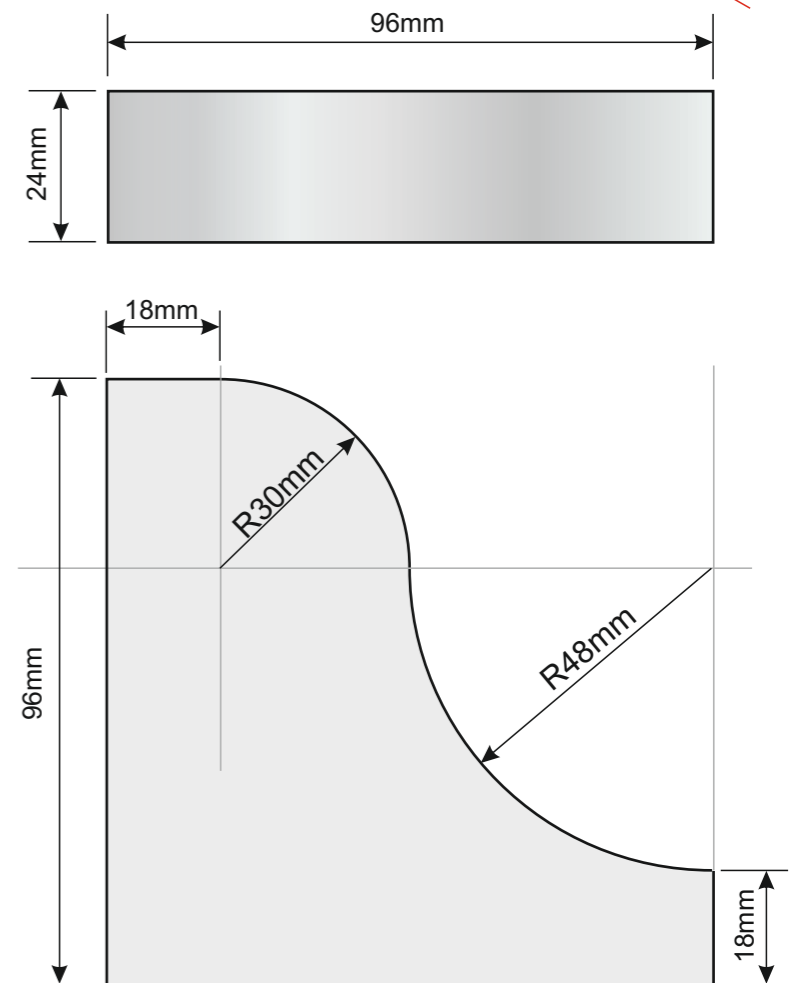
HELPFUL LINK



THIRD ANGLE PROJECTION



DIMENSIONS
(not drawn to scale)



AUXILIARY VIEWS - ORTHOGRAPHIC DRAWING

WORLD ASSOCIATION OF TECHNOLOGY TEACHERS

<https://www.facebook.com/groups/254963448192823/>

technologystudent.com © 2023

V.Ryan © 2023

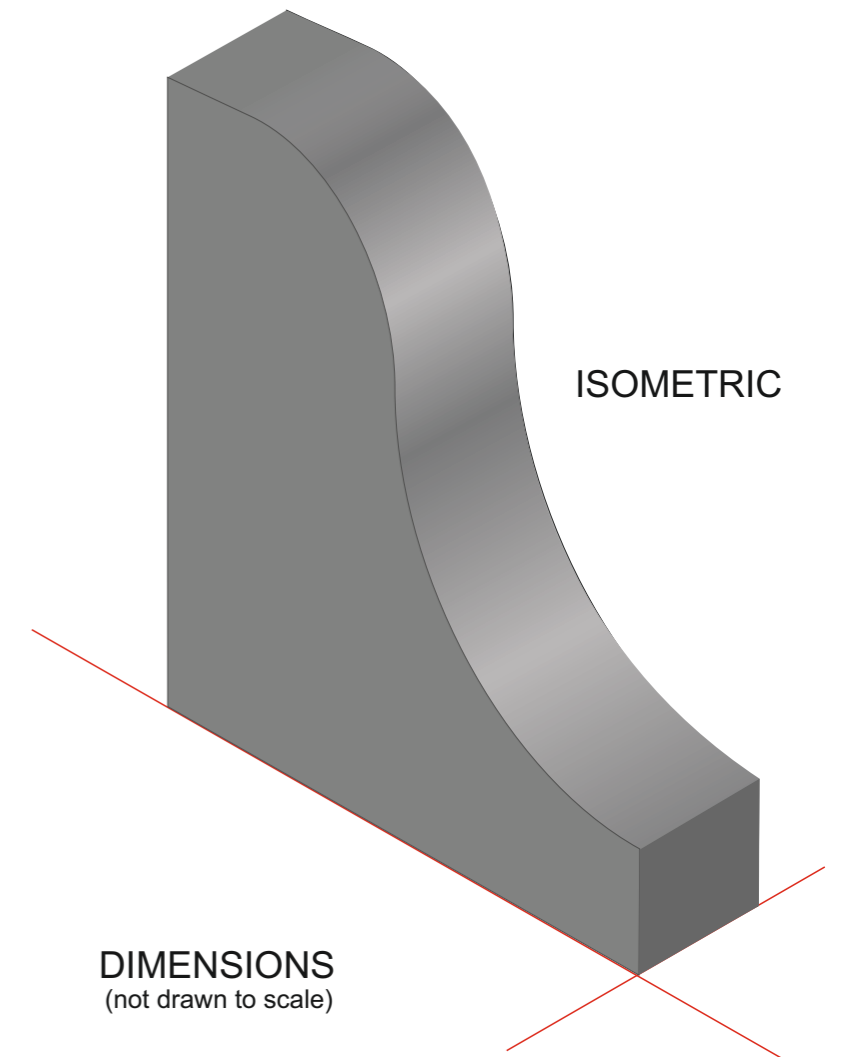
QUESTION

Draw the front, side and auxiliary views, of the solid object. Details and dimensions of the object are shown to the right of the page.

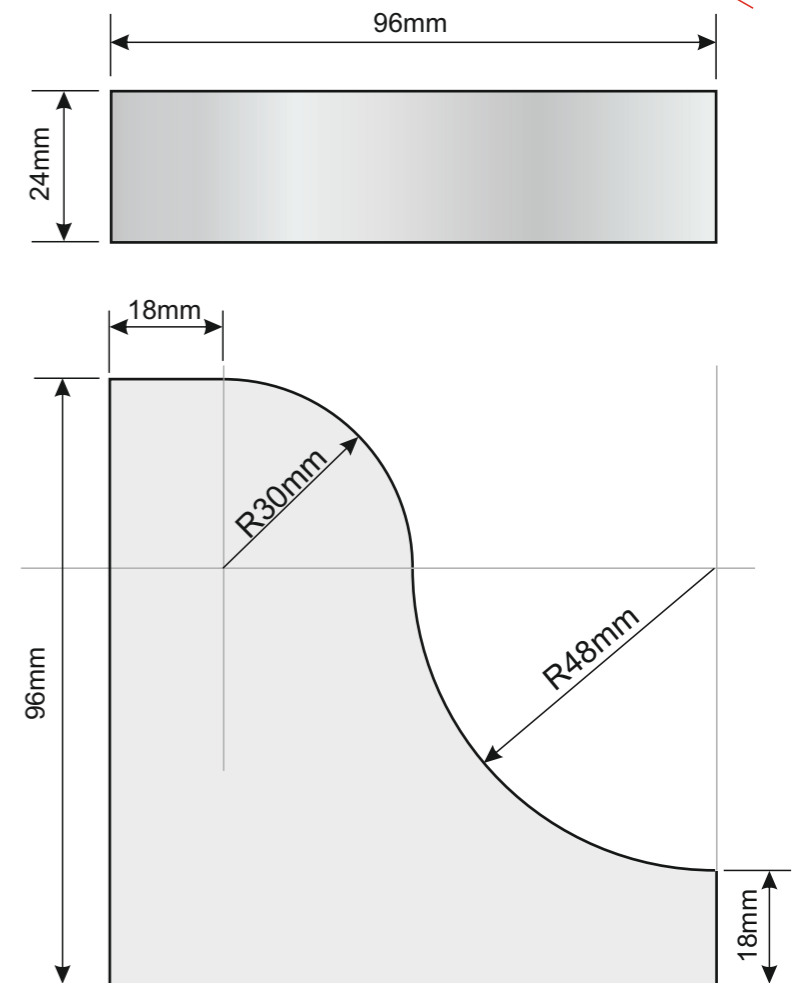
HELPFUL LINK:

https://technologystudent.com/despro_3/auxil3.html

HELPFUL LINK



DIMENSIONS
(not drawn to scale)



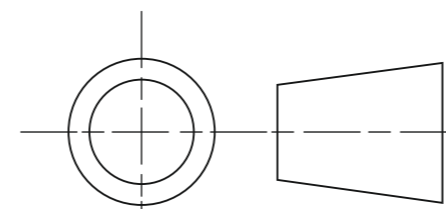
AUXILIARY VIEWS - ORTHOGRAPHIC DRAWING

QUESTION

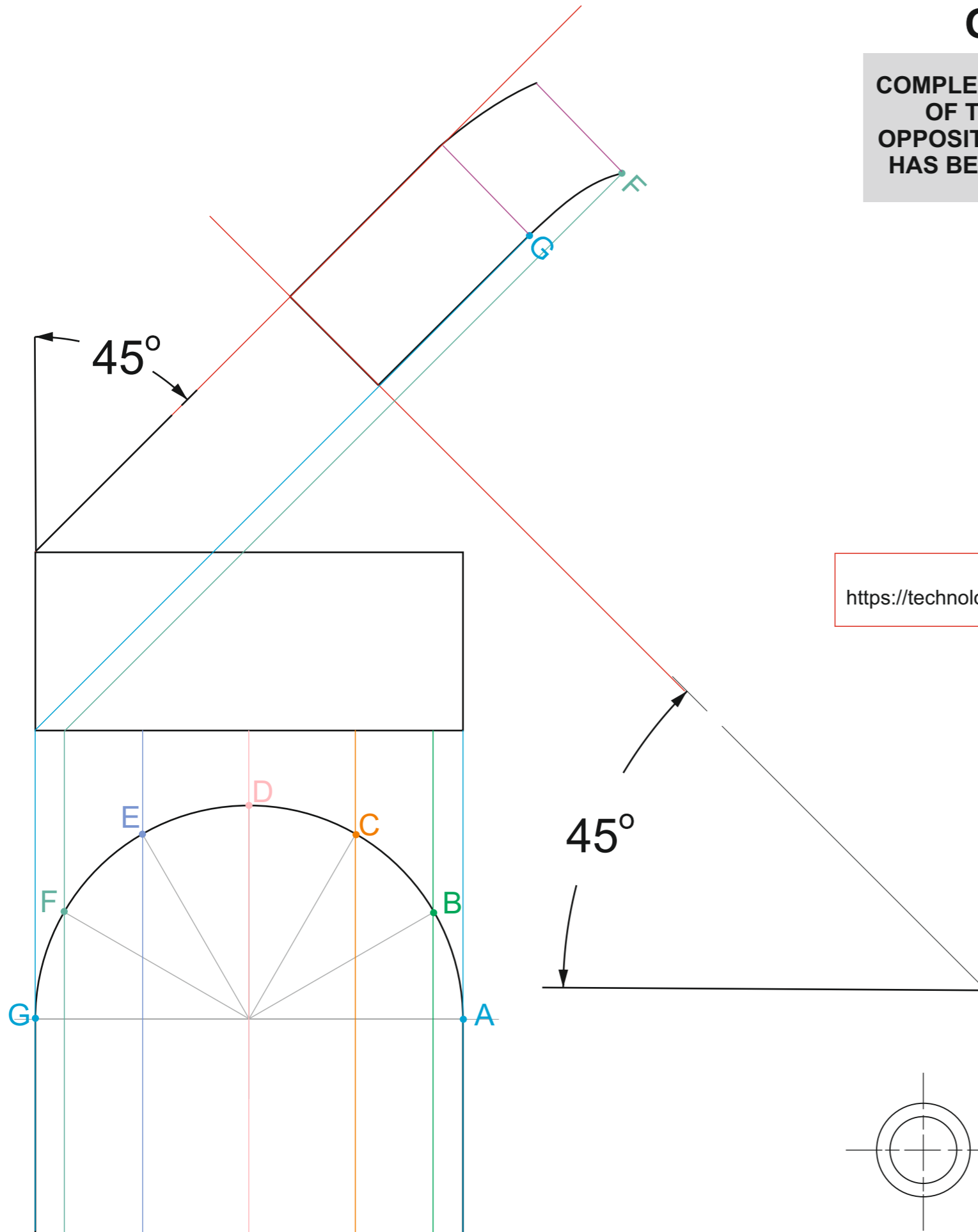
COMPLETE THE AUXILIARY VIEW OF THE OBJECT SHOWN OPPOSITE. THE AUXILIARY VIEW HAS BEEN STARTED FOR YOU.

HELPFUL LINK:
https://technologystudent.com/despro_3/auxil4.html

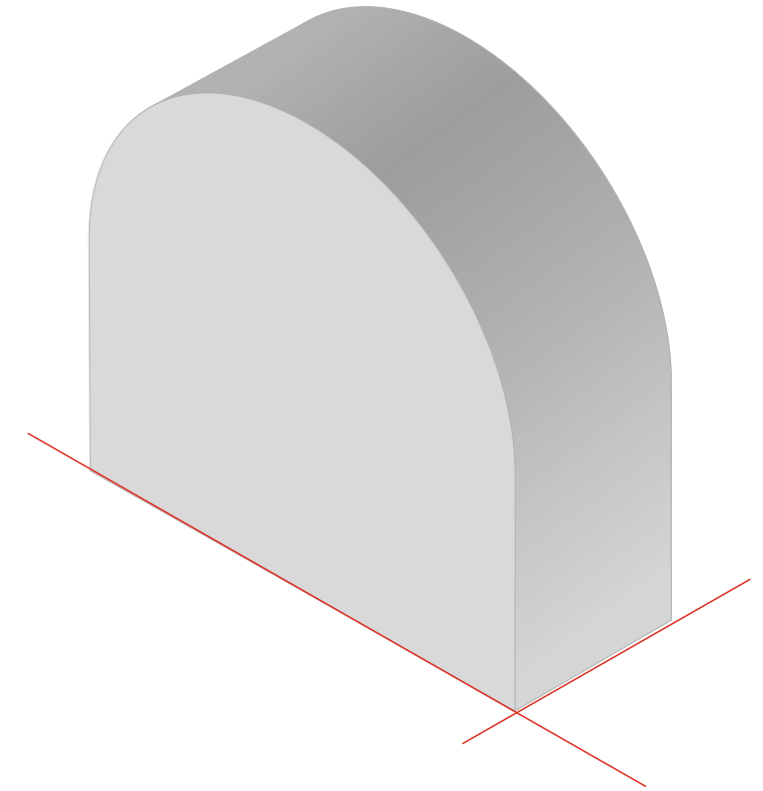
HELPFUL LINK



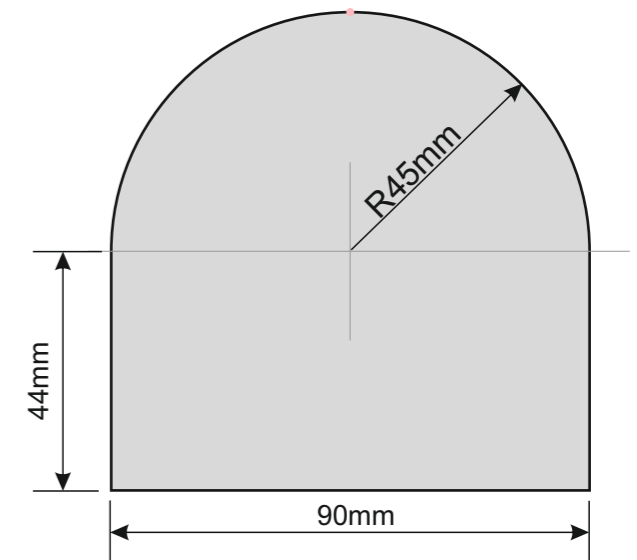
THIRD ANGLE PROJECTION



ISOMETRIC



DIMENSIONS



AUXILIARY VIEWS - ORTHOGRAPHIC DRAWING

WORLD ASSOCIATION OF TECHNOLOGY TEACHERS

<https://www.facebook.com/groups/254963448192823/>

technologystudent.com © 2023

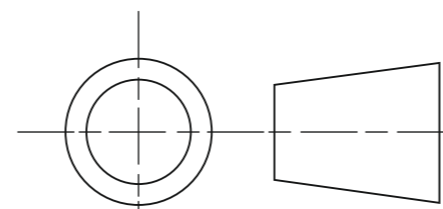
V.Ryan © 2023

QUESTION

Draw the front, side and auxiliary views, of the solid object. Details and dimensions of the object are shown to the right of the page.

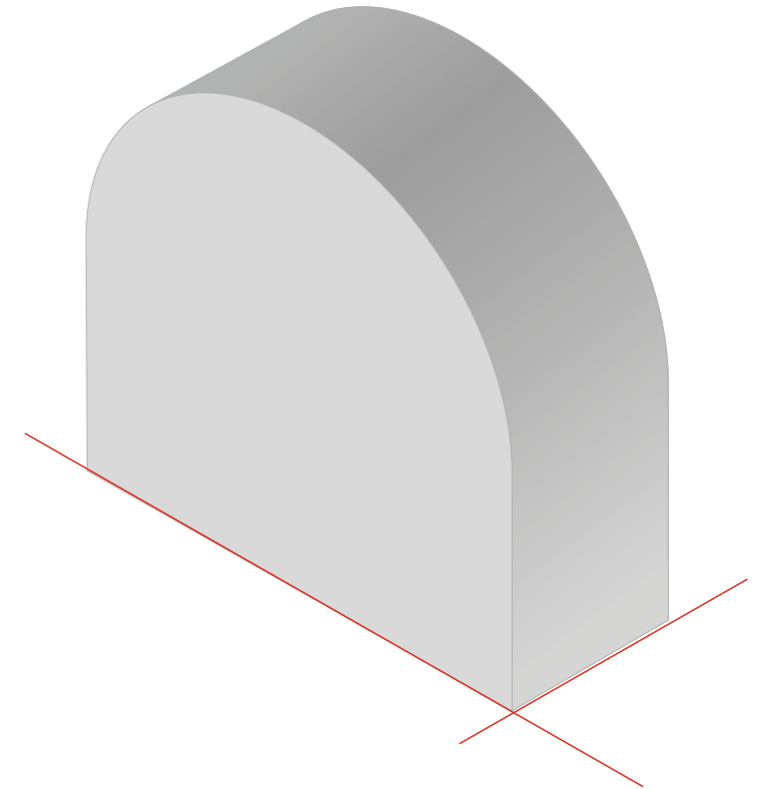
HELPFUL LINK:
https://technologystudent.com/despro_3/auxil4.html

HELPFUL LINK

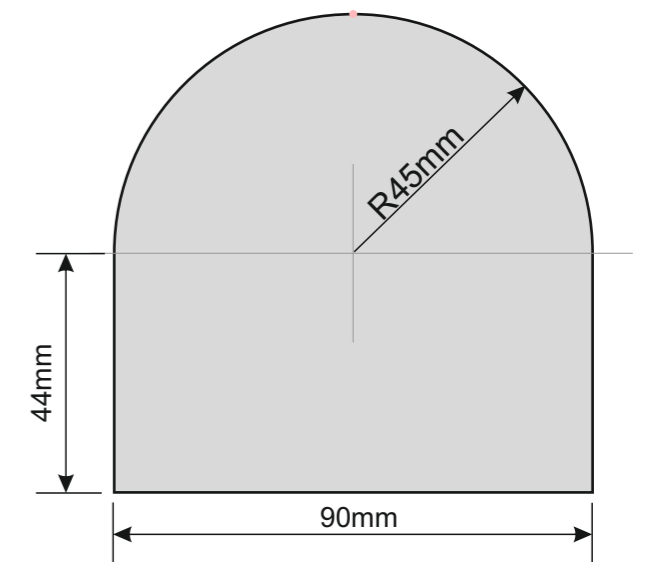
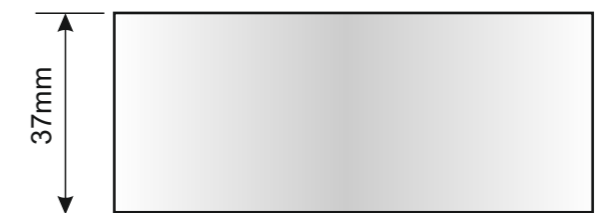


THIRD ANGLE PROJECTION

ISOMETRIC



DIMENSIONS



AUXILIARY VIEWS - ORTHOGRAPHIC DRAWING

WORLD ASSOCIATION OF TECHNOLOGY TEACHERS

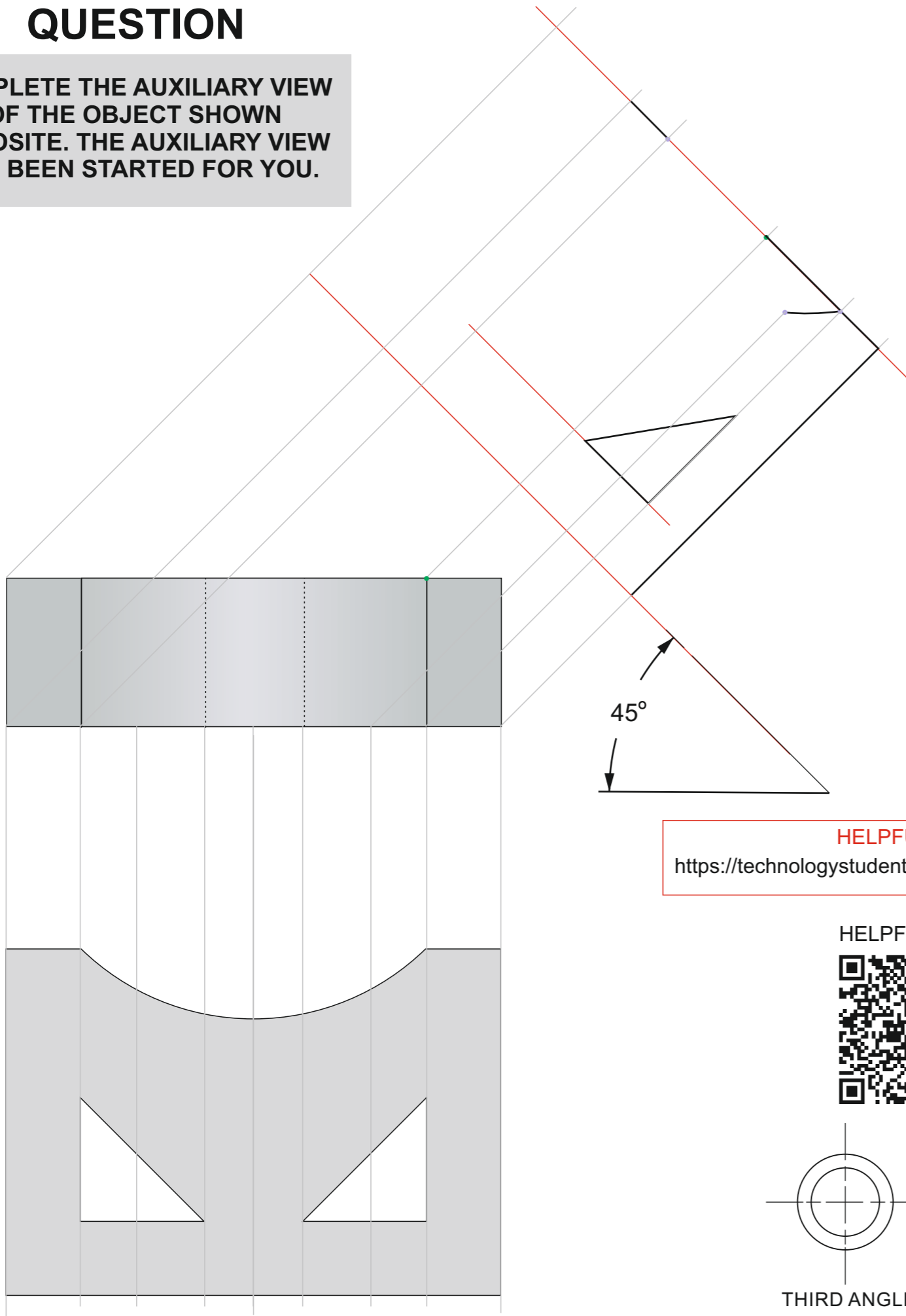
<https://www.facebook.com/groups/254963448192823/>

technologystudent.com © 2023

V.Ryan © 2023

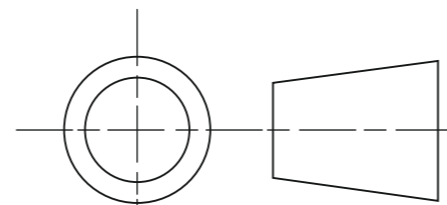
QUESTION

COMPLETE THE AUXILIARY VIEW OF THE OBJECT SHOWN OPPOSITE. THE AUXILIARY VIEW HAS BEEN STARTED FOR YOU.

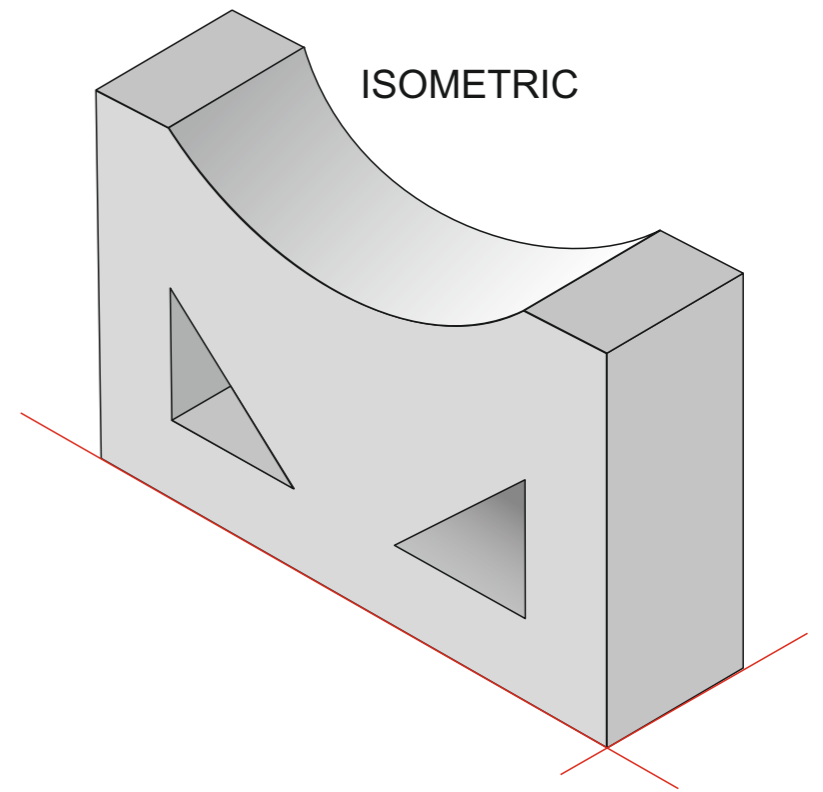


HELPFUL LINK:
https://technologystudent.com/despro_3/auxil5.html

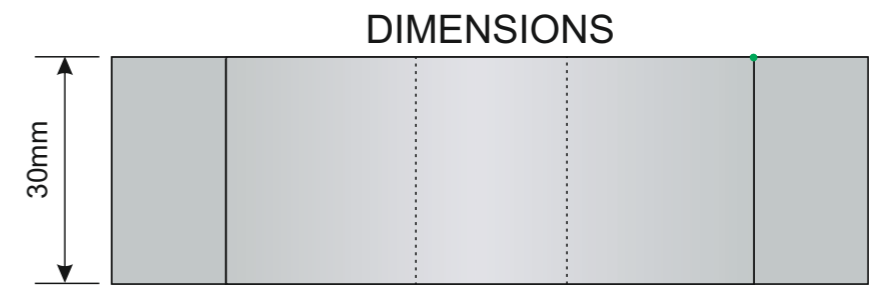
HELPFUL LINK



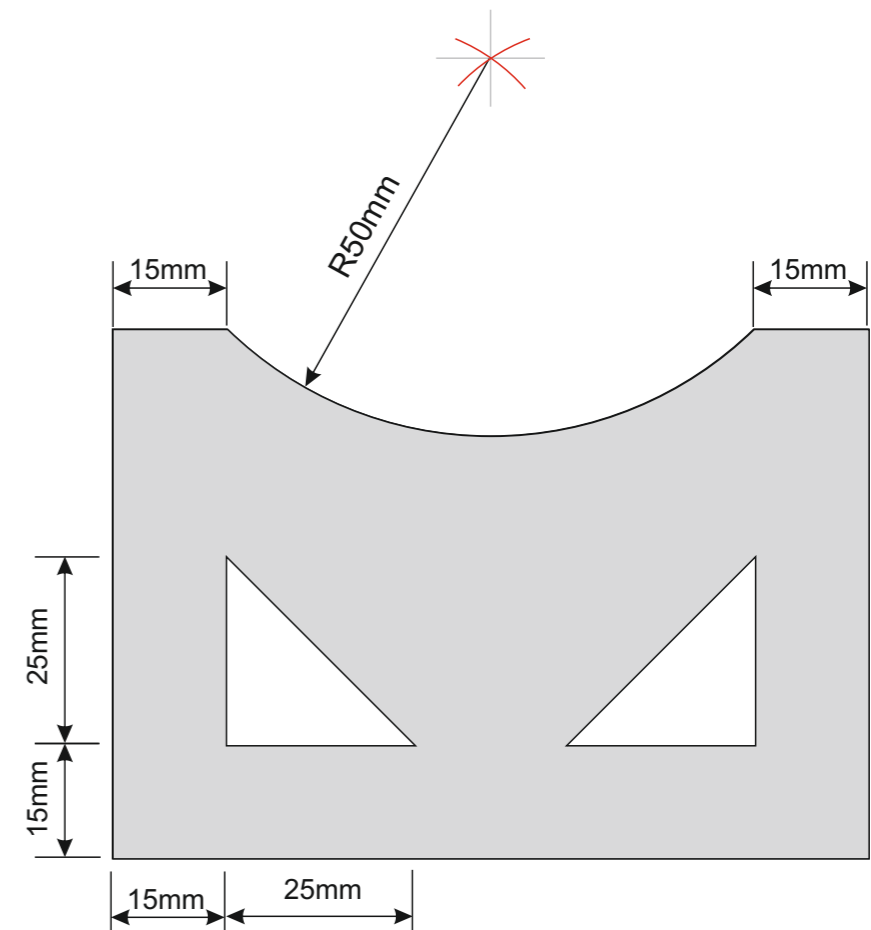
THIRD ANGLE PROJECTION



ISOMETRIC



DIMENSIONS



AUXILIARY VIEWS - ORTHOGRAPHIC DRAWING

WORLD ASSOCIATION OF TECHNOLOGY TEACHERS

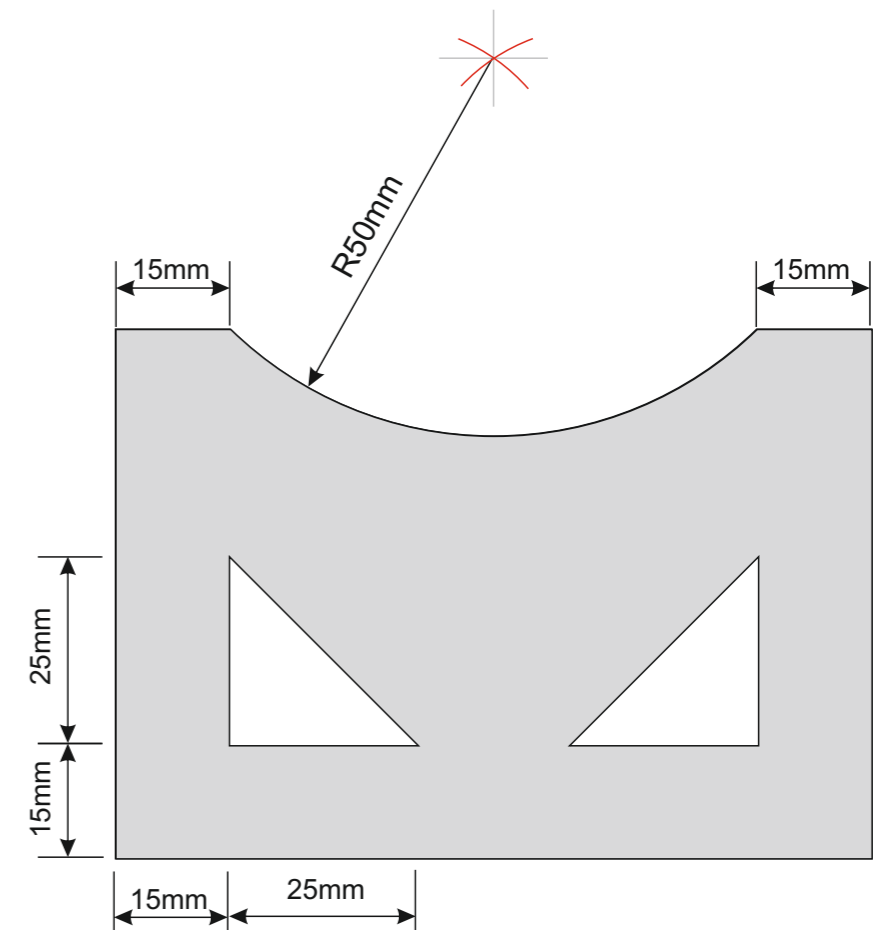
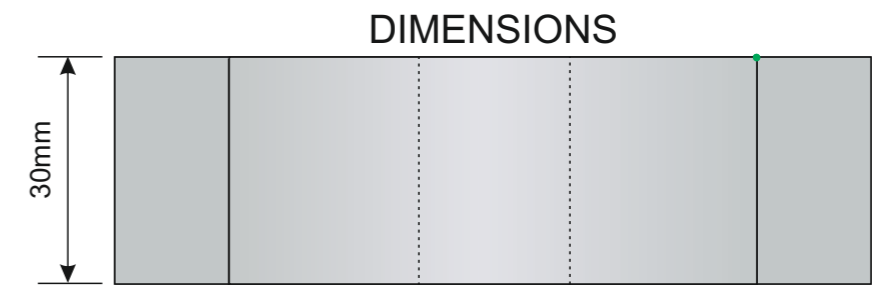
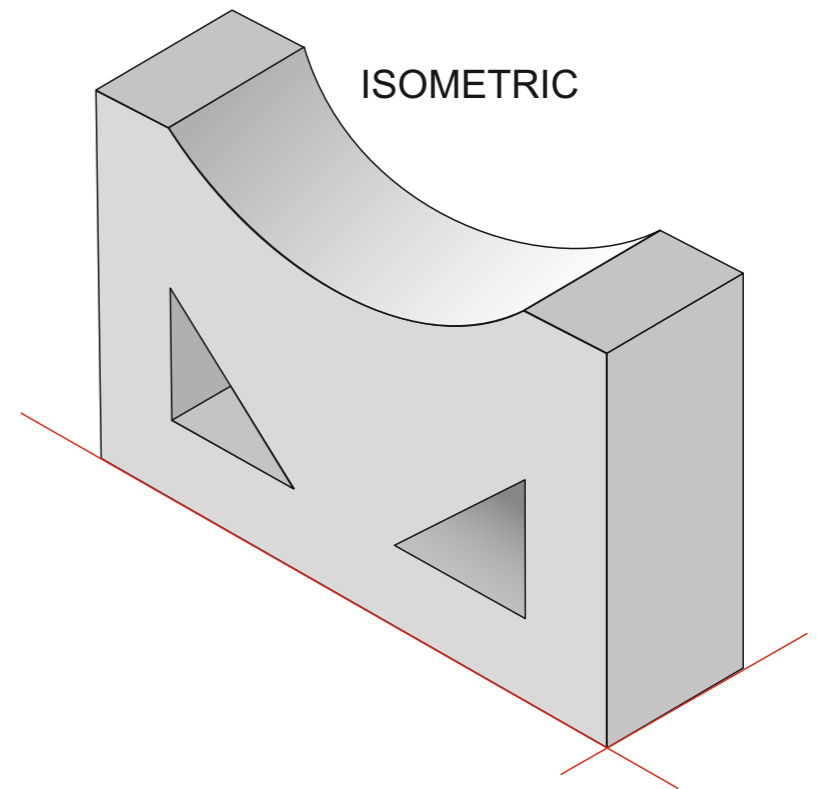
<https://www.facebook.com/groups/254963448192823/>

technologystudent.com © 2023

V.Ryan © 2023

QUESTION

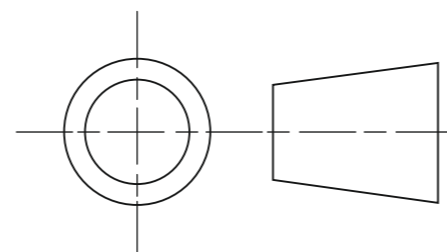
Draw the front, side and auxiliary views, of the solid object. Details and dimensions of the object are shown to the right of the page.



HELPFUL LINK:

https://technologystudent.com/despro_3/auxil5.html

HELPFUL LINK



AUXILIARY VIEWS - ORTHOGRAPHIC DRAWING

WORLD ASSOCIATION OF TECHNOLOGY TEACHERS

<https://www.facebook.com/groups/254963448192823/>

technologystudent.com © 2023

V.Ryan © 2023

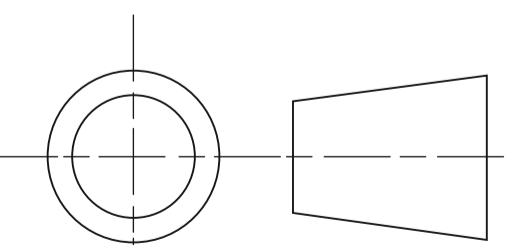
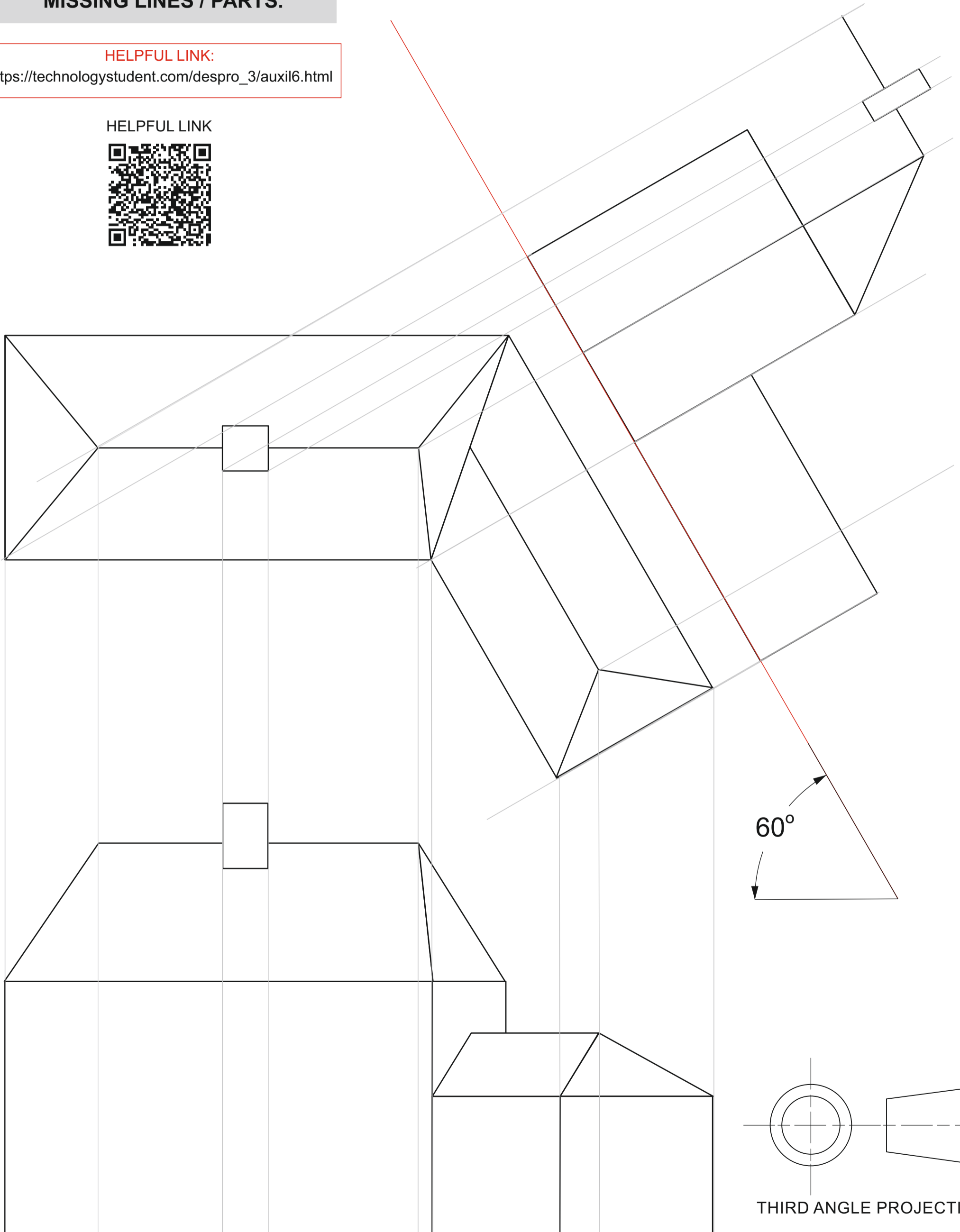
QUESTION

COMPLETE THE AUXILIARY VIEW OF THE HOUSE, BY ADDING THE MISSING LINES / PARTS.

HELPFUL LINK:

https://technologystudent.com/despro_3/auxil6.html

HELPFUL LINK



THIRD ANGLE PROJECTION

AUXILIARY VIEWS - ORTHOGRAPHIC DRAWING

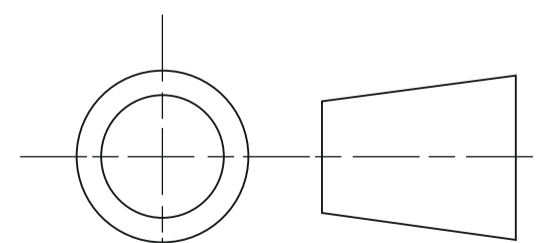
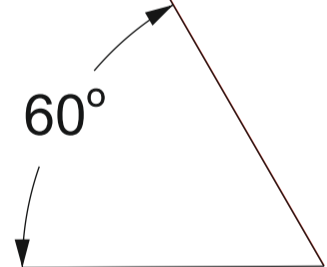
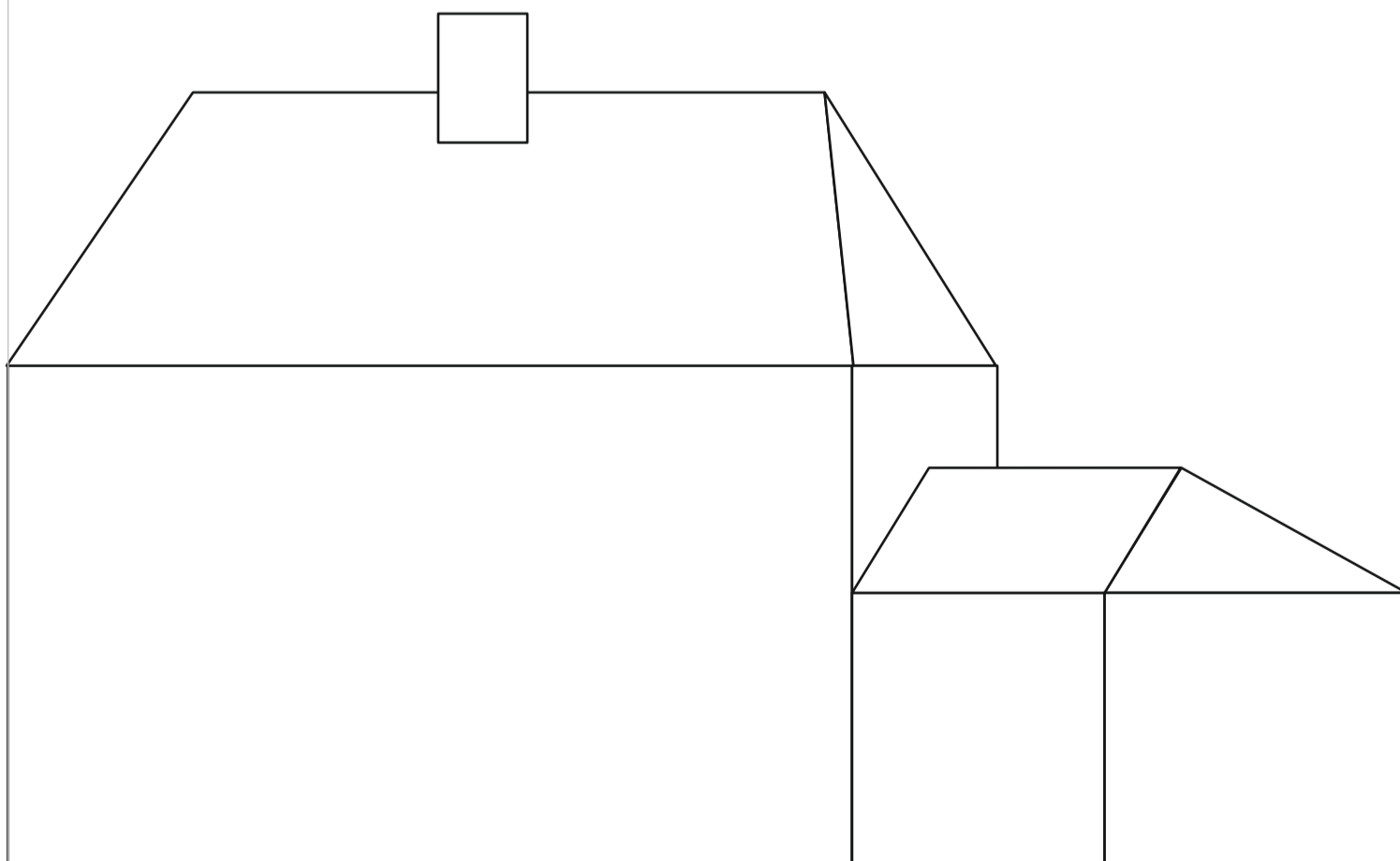
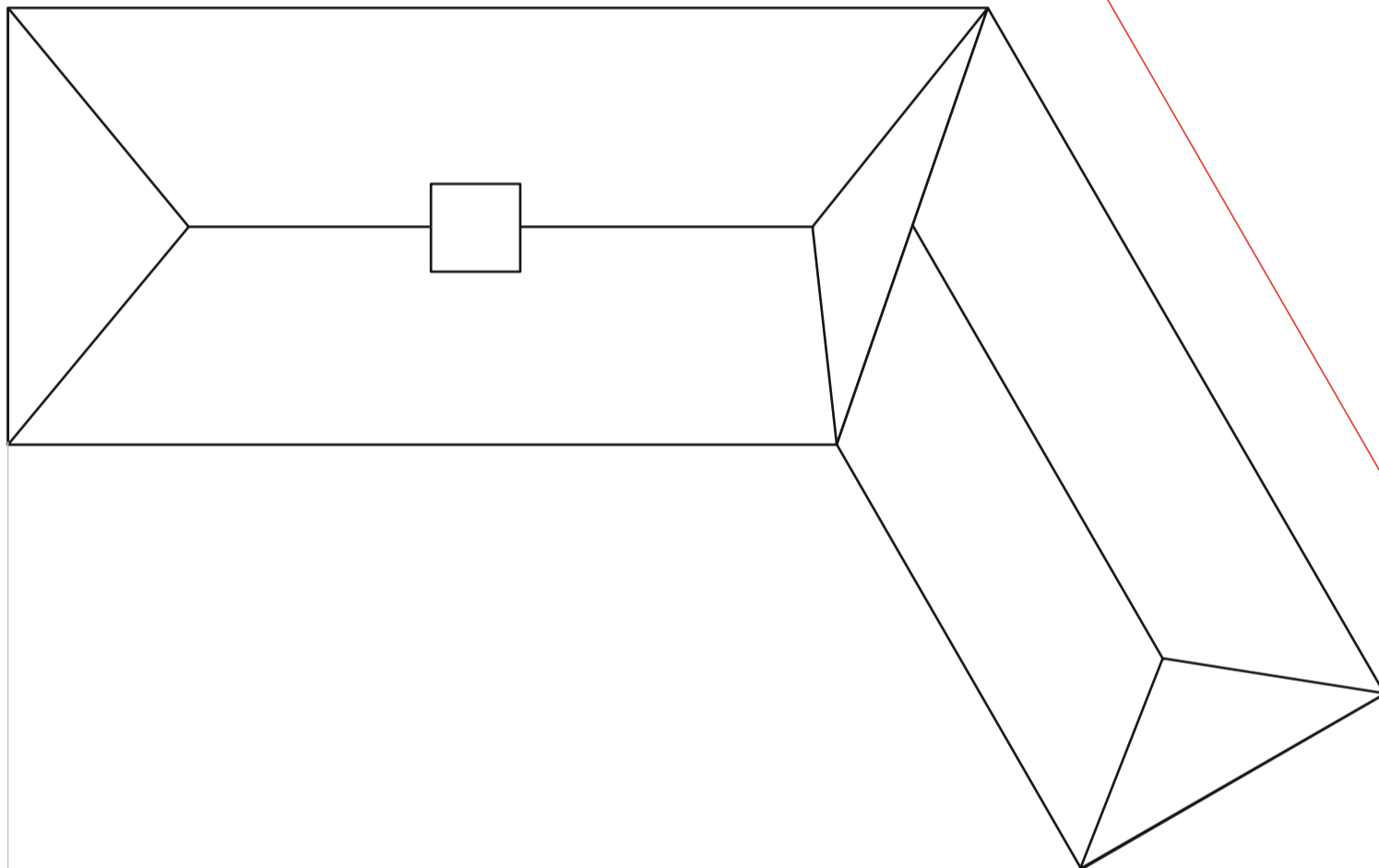
QUESTION

COMPLETE THE ORTHOGRAPHIC DRAWING OF THE HOUSE, BY ADDING THE AUXILIARY VIEW

HELPFUL LINK:

https://technologystudent.com/despro_3/auxil6.html

HELPFUL LINK

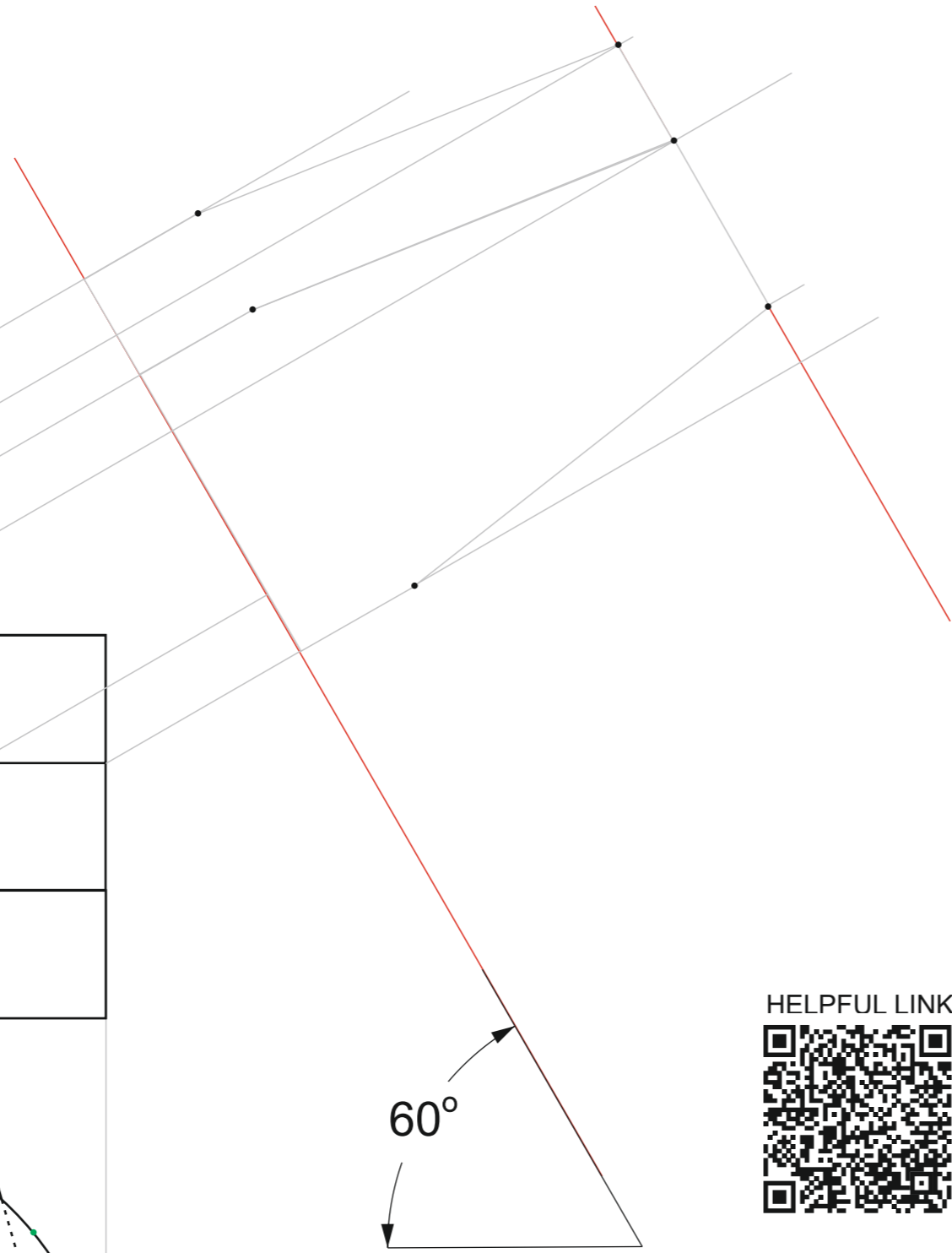
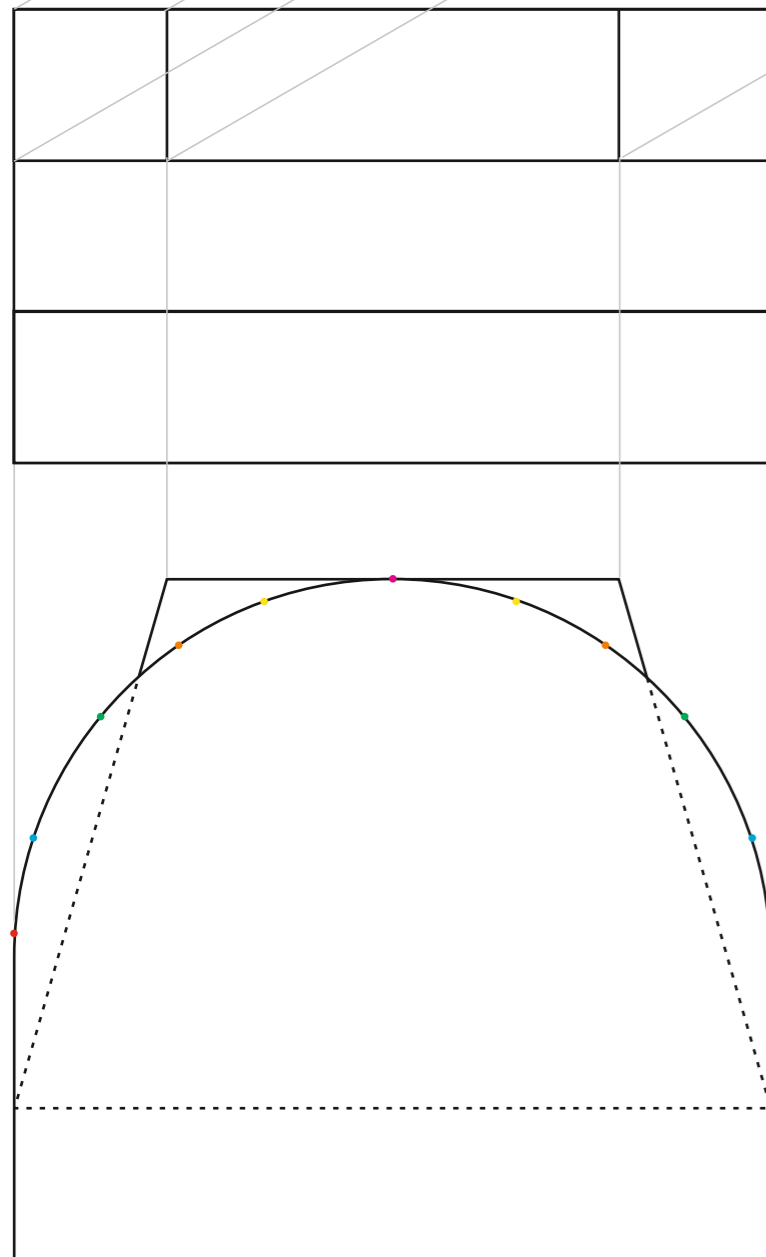


THIRD ANGLE PROJECTION

AUXILIARY VIEWS - ORTHOGRAPHIC DRAWING

QUESTION

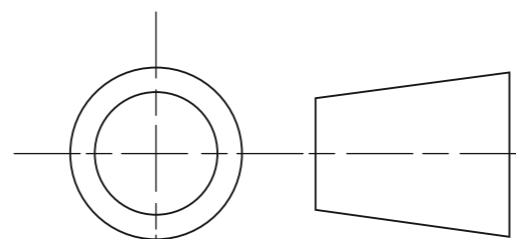
Complete the auxiliary view of the aluminium casting shown below as a front and plan view. Some of the guidelines have been drawn for you.



HELPFUL LINK

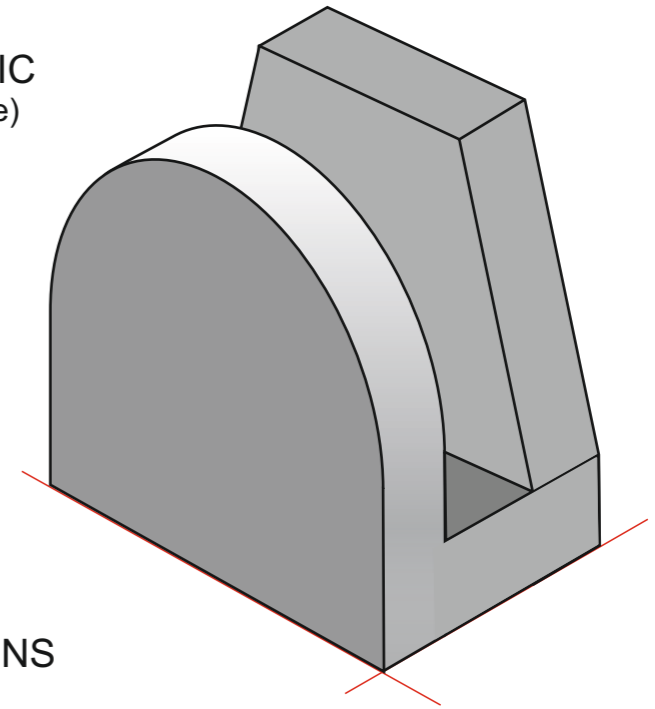


HELPFUL LINK:
https://technologystudent.com/despro_3/auxil7.html

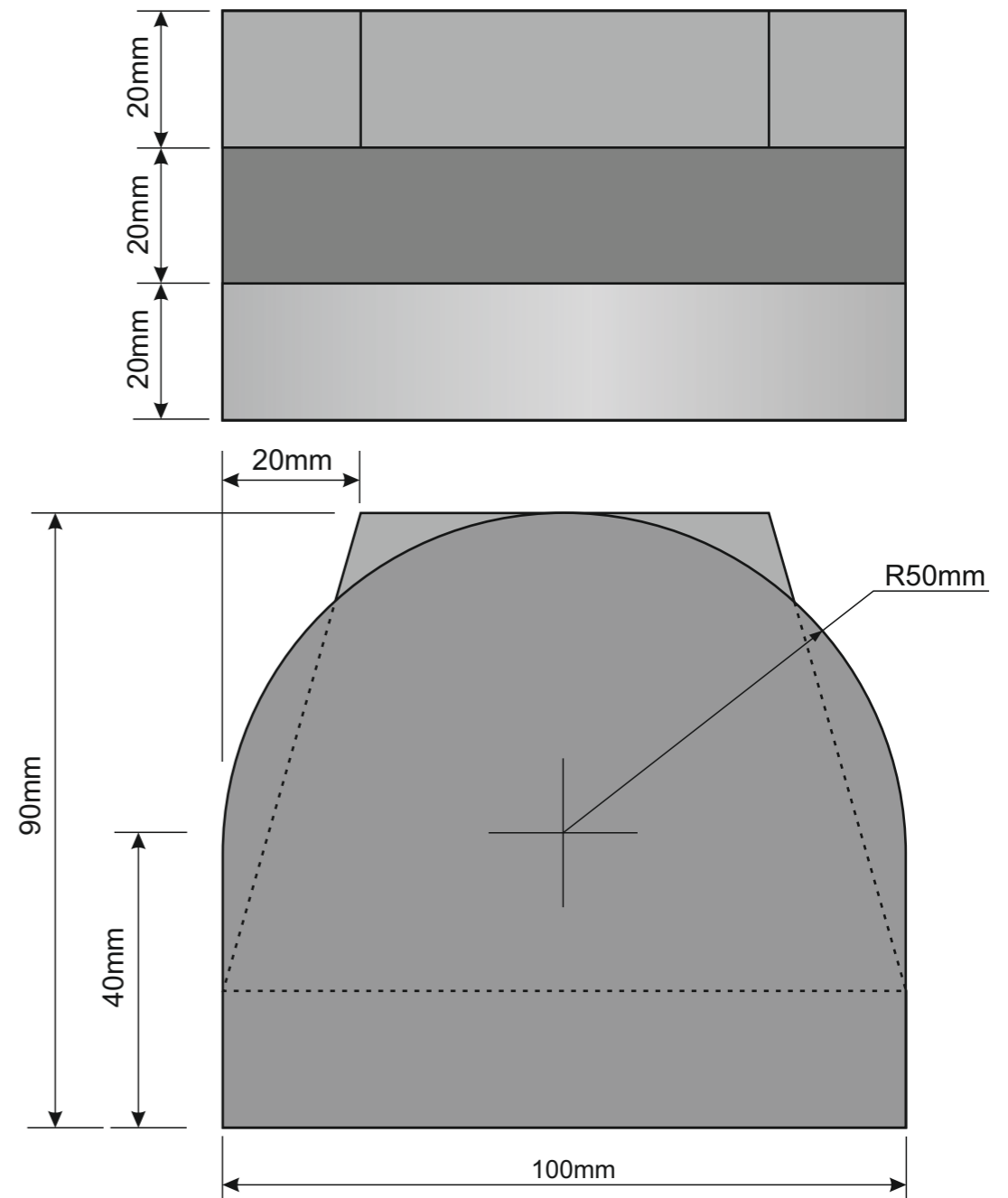


THIRD ANGLE PROJECTION

ISOMETRIC
(not to scale)



DIMENSIONS



AUXILIARY VIEWS - ORTHOGRAPHIC DRAWING

WORLD ASSOCIATION OF TECHNOLOGY TEACHERS

<https://www.facebook.com/groups/254963448192823/>

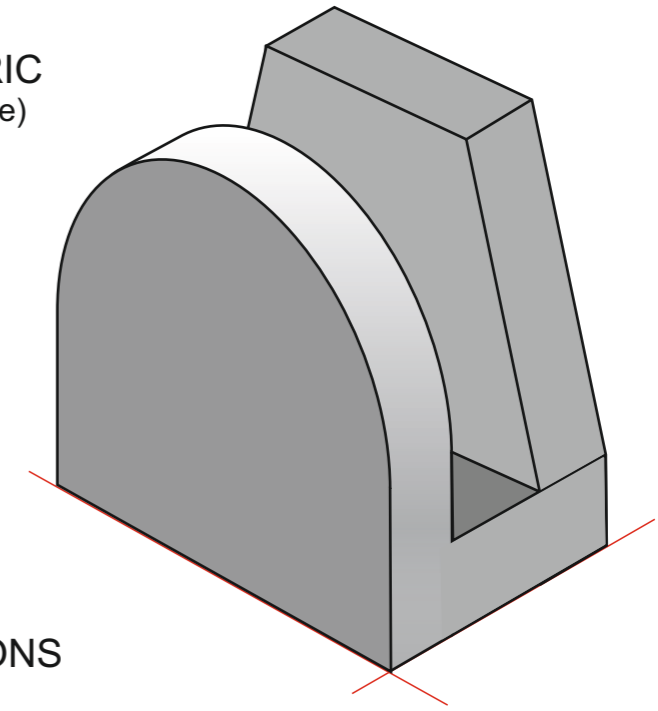
technologystudent.com © 2023

V.Ryan © 2023

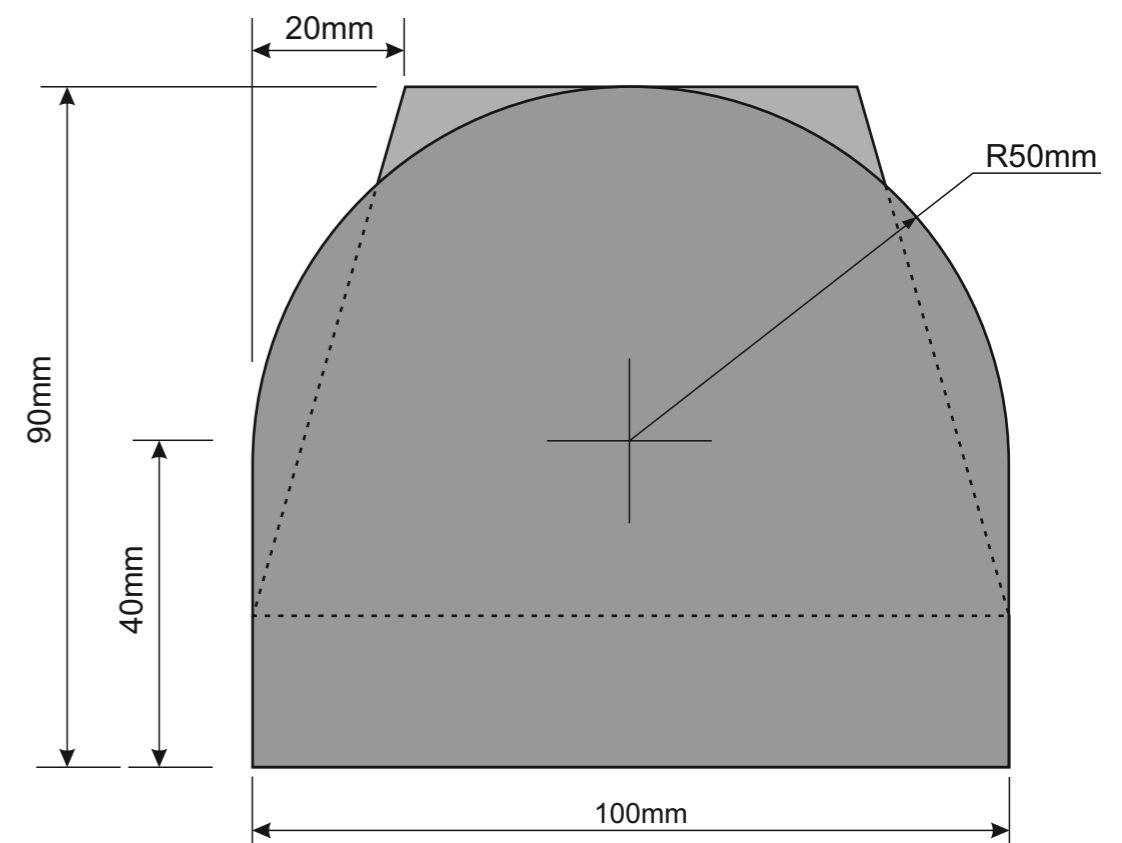
QUESTION

Draw a front, side and auxiliary view of the aluminium casting. Details and dimensions of the casting are shown to the right of the page.

ISOMETRIC
(not to scale)



DIMENSIONS

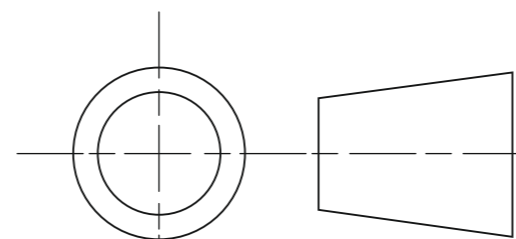


HELPFUL LINK



HELPFUL LINK:

https://technologystudent.com/despro_3/auxil7.html



THIRD ANGLE PROJECTION

AUXILIARY VIEWS - ORTHOGRAPHIC DRAWING

QUESTION

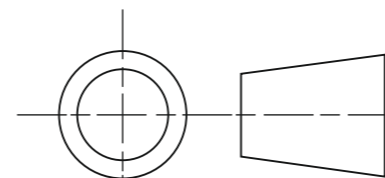
Complete the auxiliary view, of the top surface of the object shown opposite. Details and dimensions of the object are shown on the right.

Please note: the auxiliary view will show the true size and shape of the top surface.

HELPFUL LINK:

https://technologystudent.com/despro_3/auxil8.html

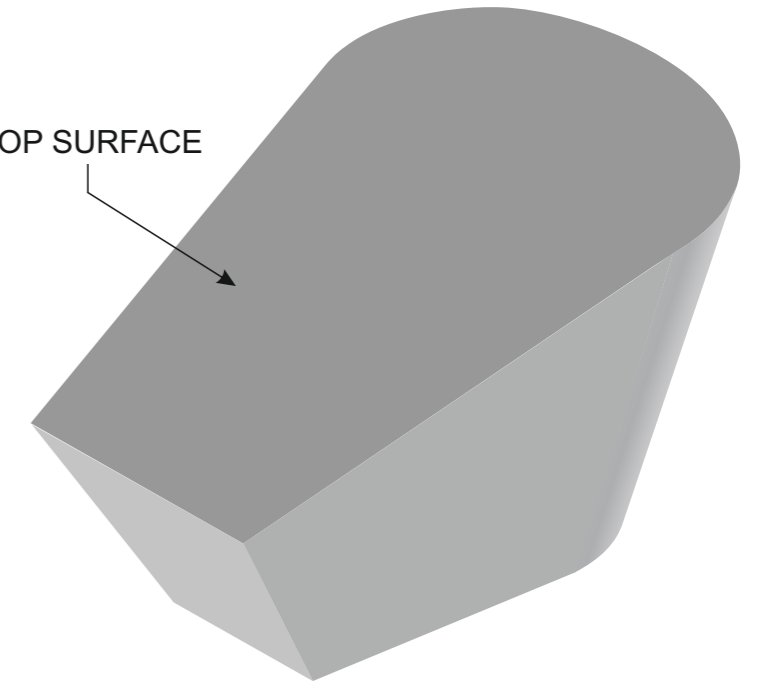
HELPFUL LINK



THIRD ANGLE PROJECTION

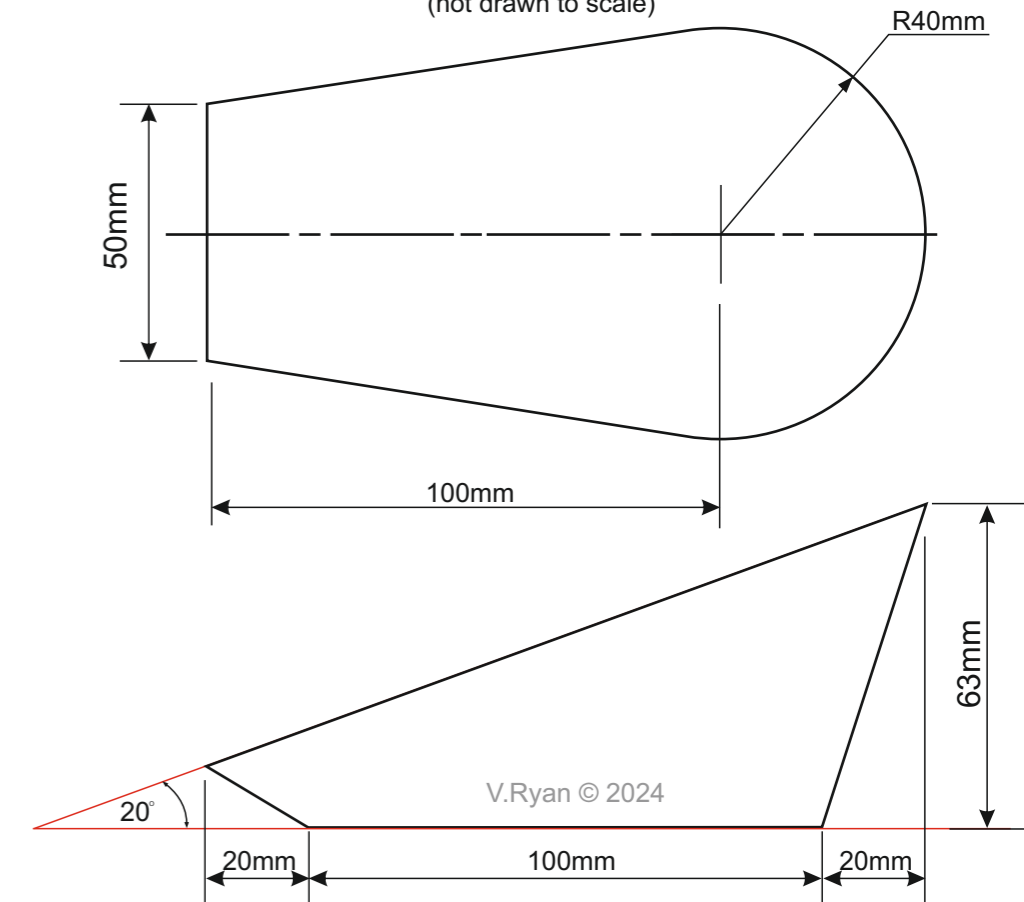
ISOMETRIC

TOP SURFACE



DIMENSIONS

(not drawn to scale)



AUXILIARY VIEWS - ORTHOGRAPHIC DRAWING

QUESTION

Draw the auxiliary view, of the top surface of the object shown opposite.

Details and dimensions of the object are shown on the right.

Please note: the auxiliary view will show the true size and shape of the top surface.

HELPFUL LINK:

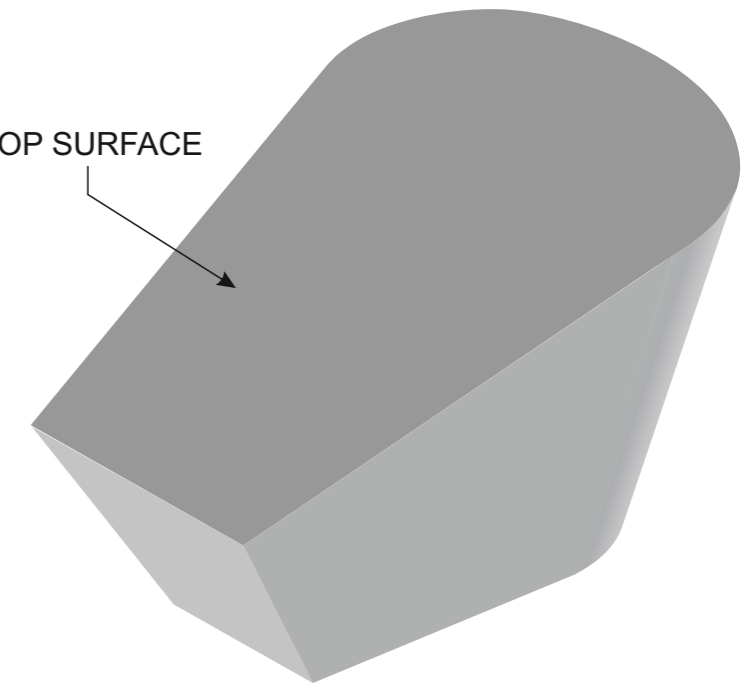
https://technologystudent.com/despro_3/auxil8.html

HELPFUL LINK



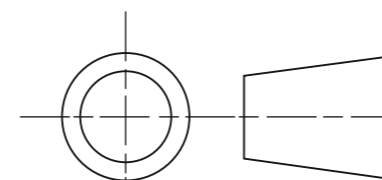
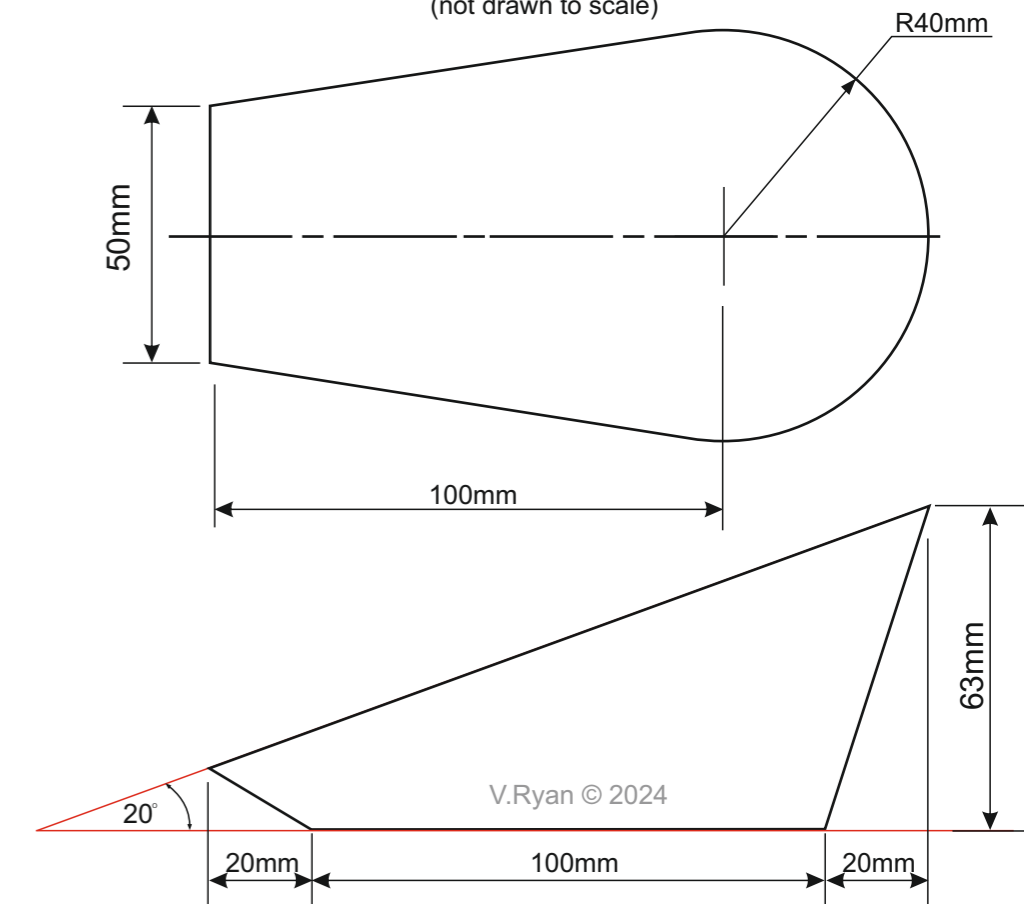
ISOMETRIC

TOP SURFACE

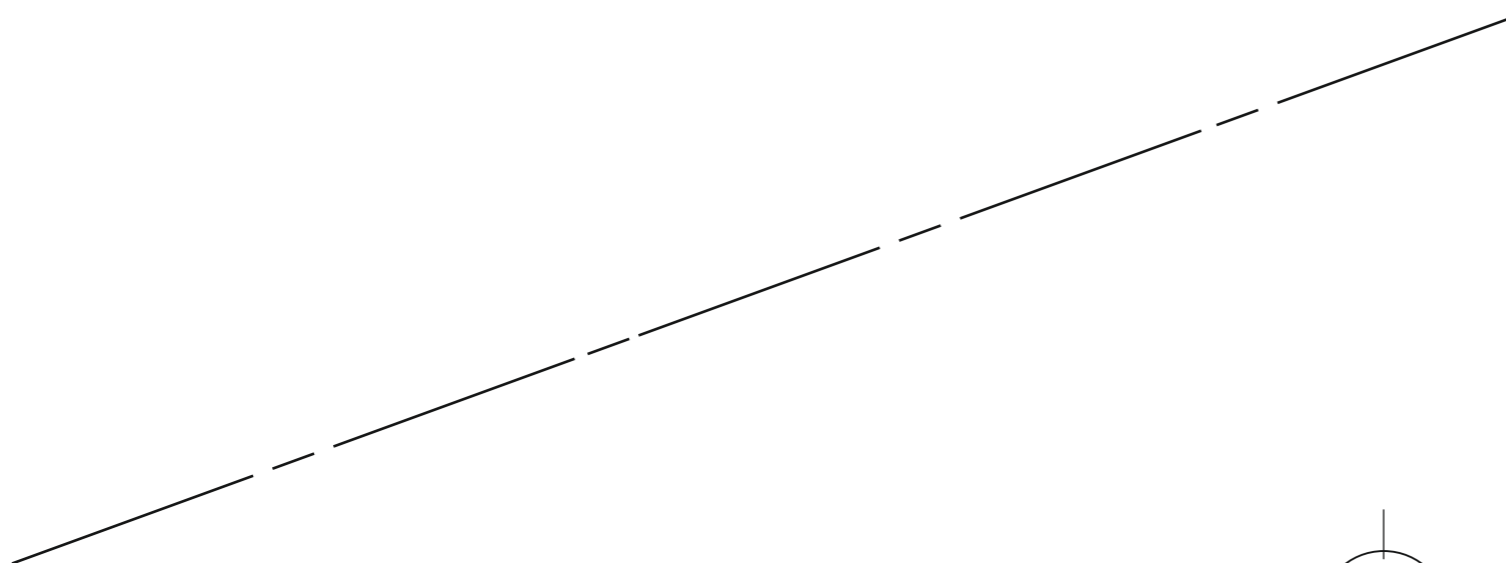
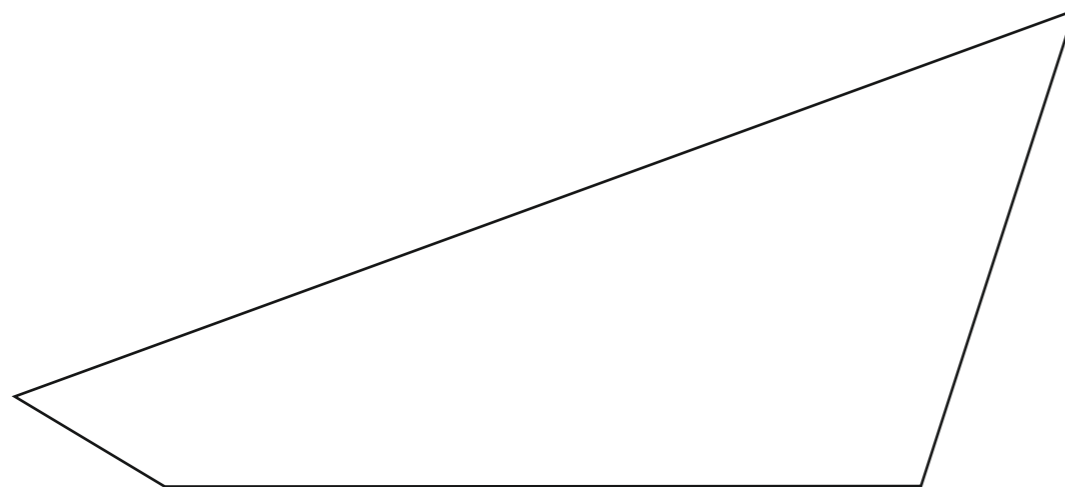
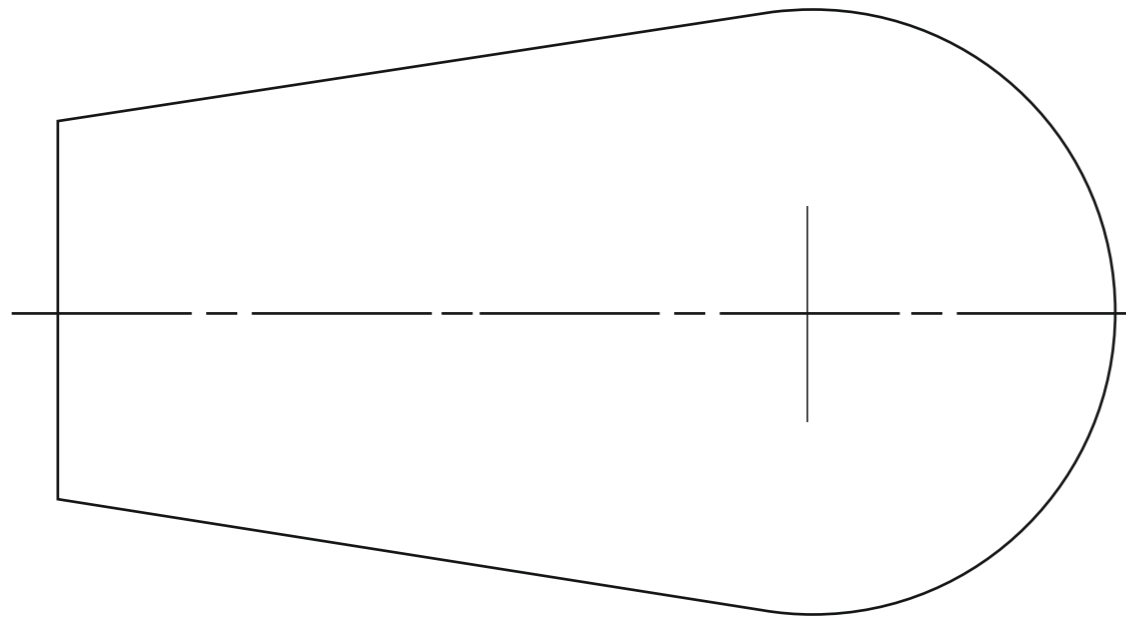


DIMENSIONS

(not drawn to scale)



THIRD ANGLE PROJECTION

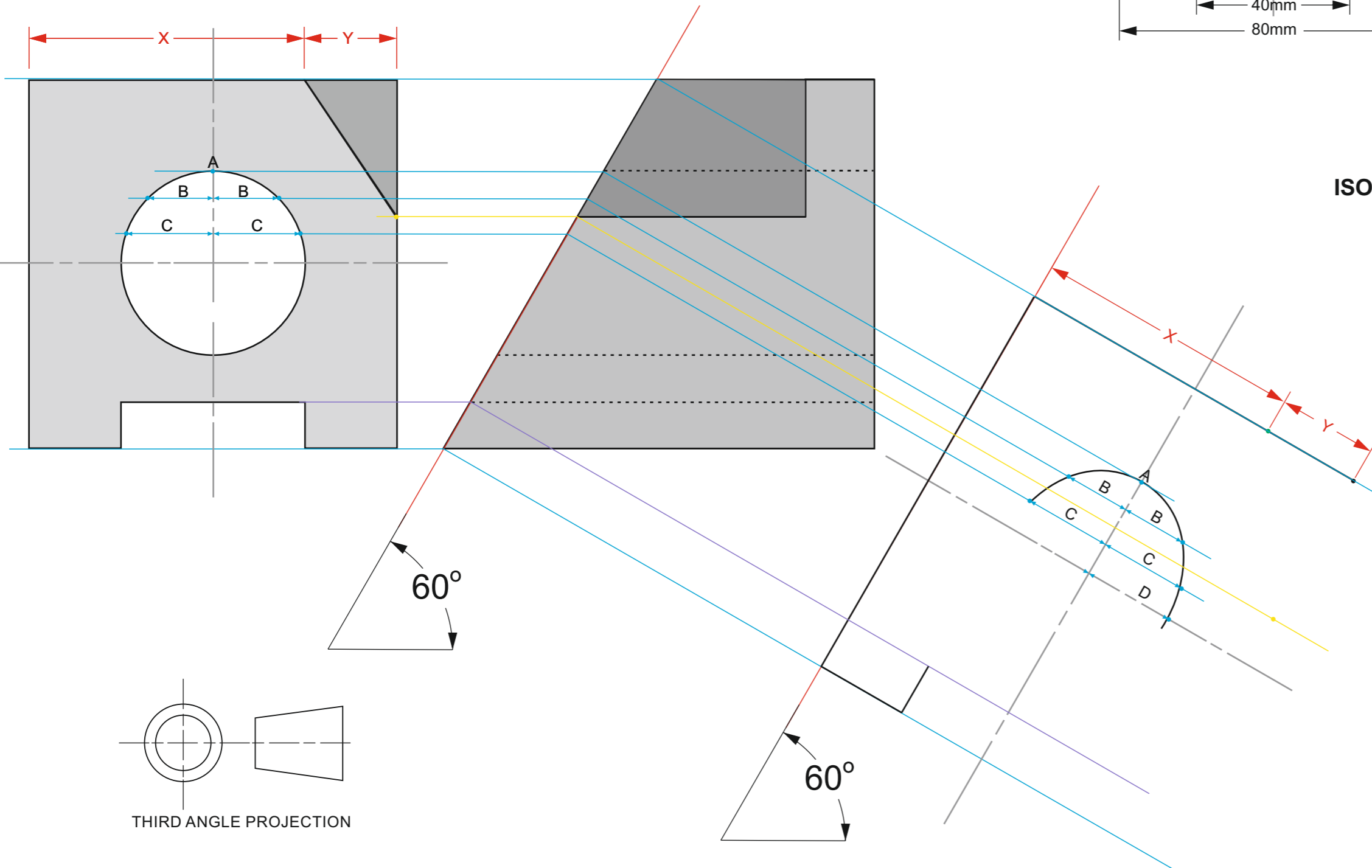
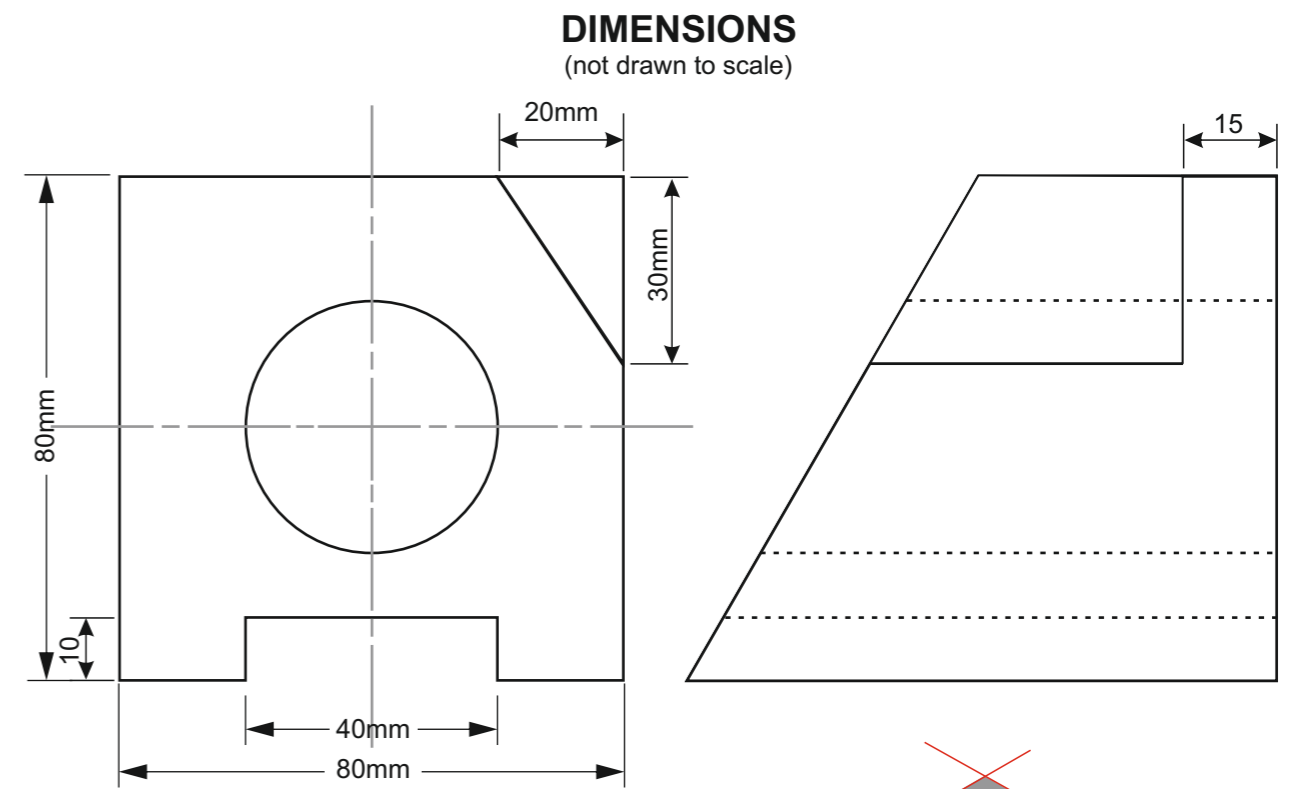


AUXILIARY VIEWS - ORTHOGRAPHIC DRAWING

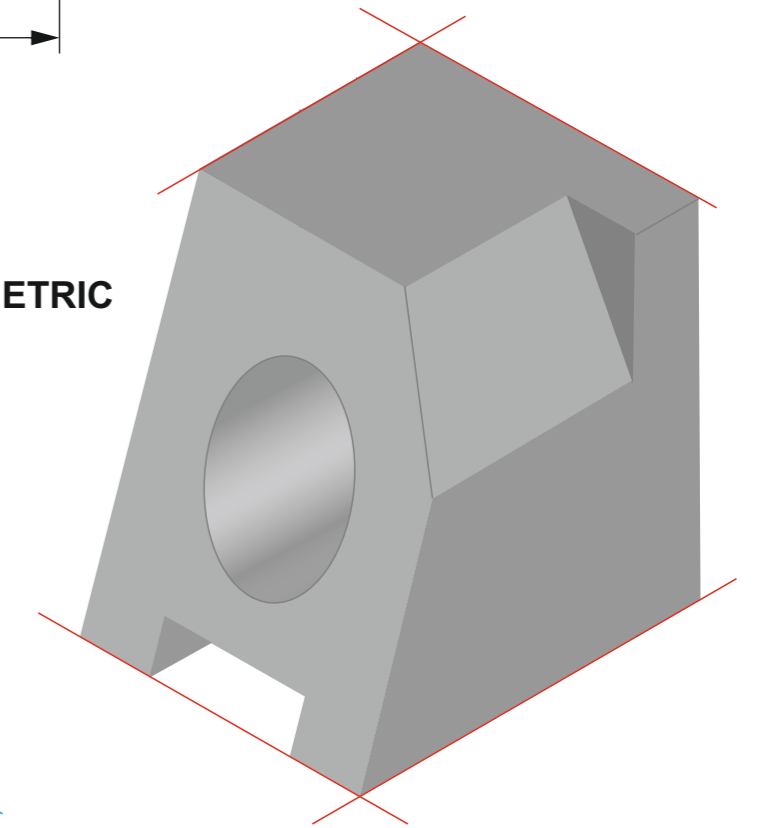
QUESTION

Complete the auxiliary view, of the angled surface of the cast steel machine part. Details and dimensions of the object are shown on the right.

Please note: the auxiliary view will show the true size and shape of the 60 degree angled surface.



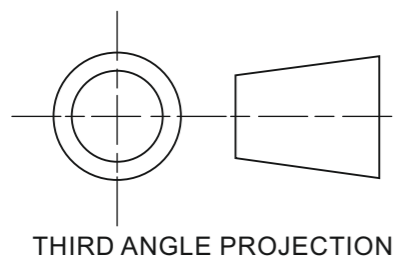
ISOMETRIC



HELPFUL LINK:

https://technologystudent.com/despro_3/auxil9.html

HELPFUL LINK



AUXILIARY VIEWS - ORTHOGRAPHIC DRAWING

WORLD ASSOCIATION OF TECHNOLOGY TEACHERS

<https://www.facebook.com/groups/254963448192823/>

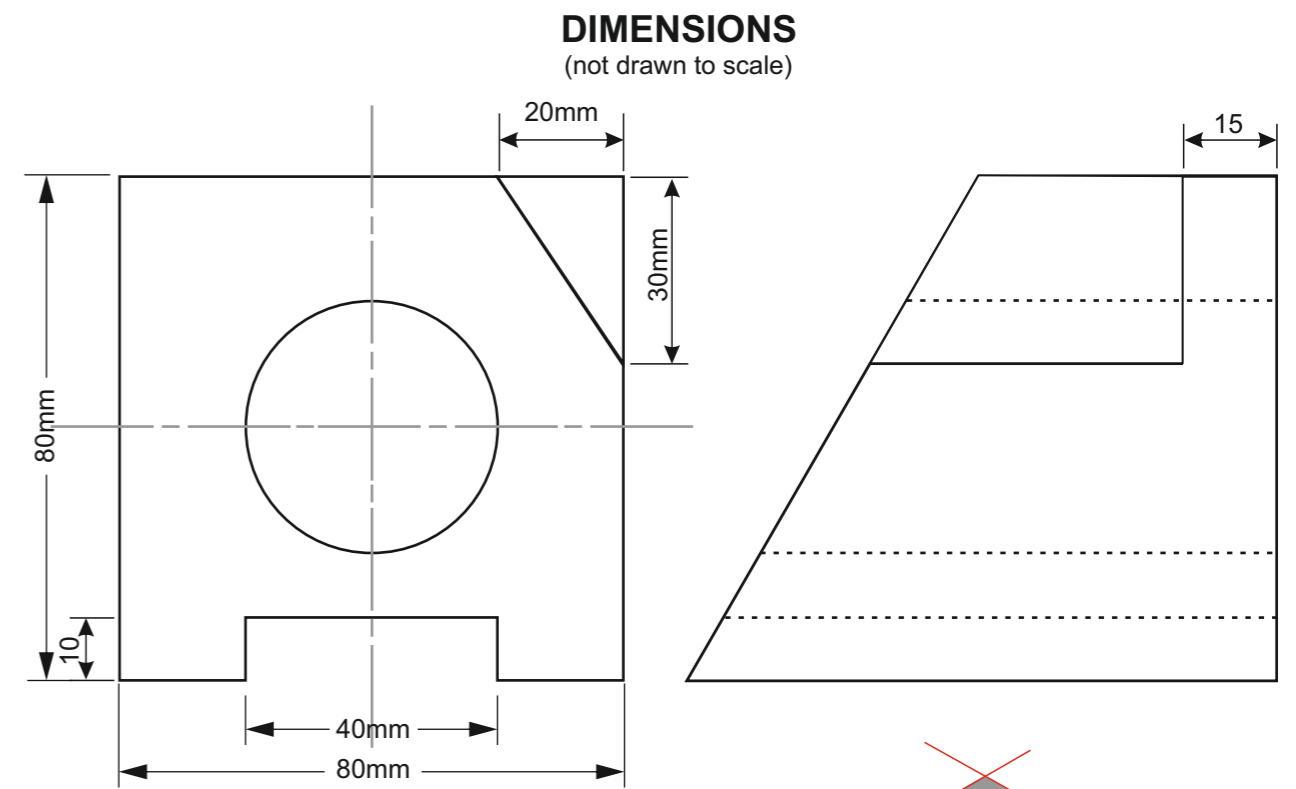
technologystudent.com © 2024

V.Ryan © 2024

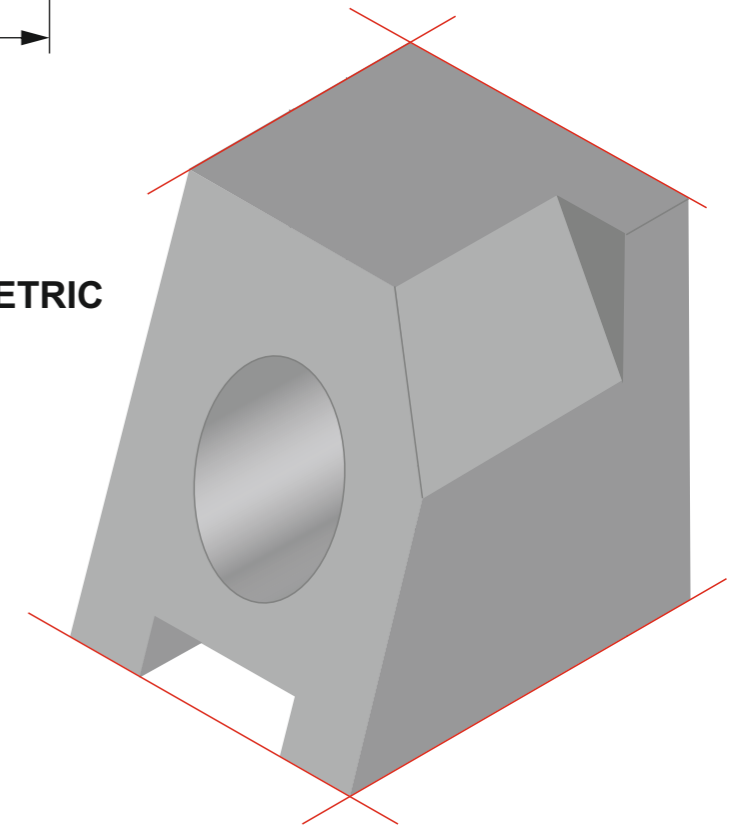
QUESTION

Draw the front, side and auxiliary views, of the cast steel part shown opposite.
Details and dimensions of the object / part are shown on the right.

Please note: the auxiliary view will show the true size and shape of the 60 degree angled surface.



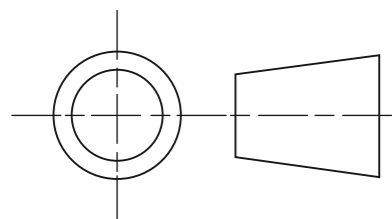
ISOMETRIC



HELPFUL LINK:

https://technologystudent.com/despro_3/auxil9.html

HELPFUL LINK



THIRD ANGLE PROJECTION

AUXILIARY VIEWS - ORTHOGRAPHIC DRAWING

WORLD ASSOCIATION OF TECHNOLOGY TEACHERS

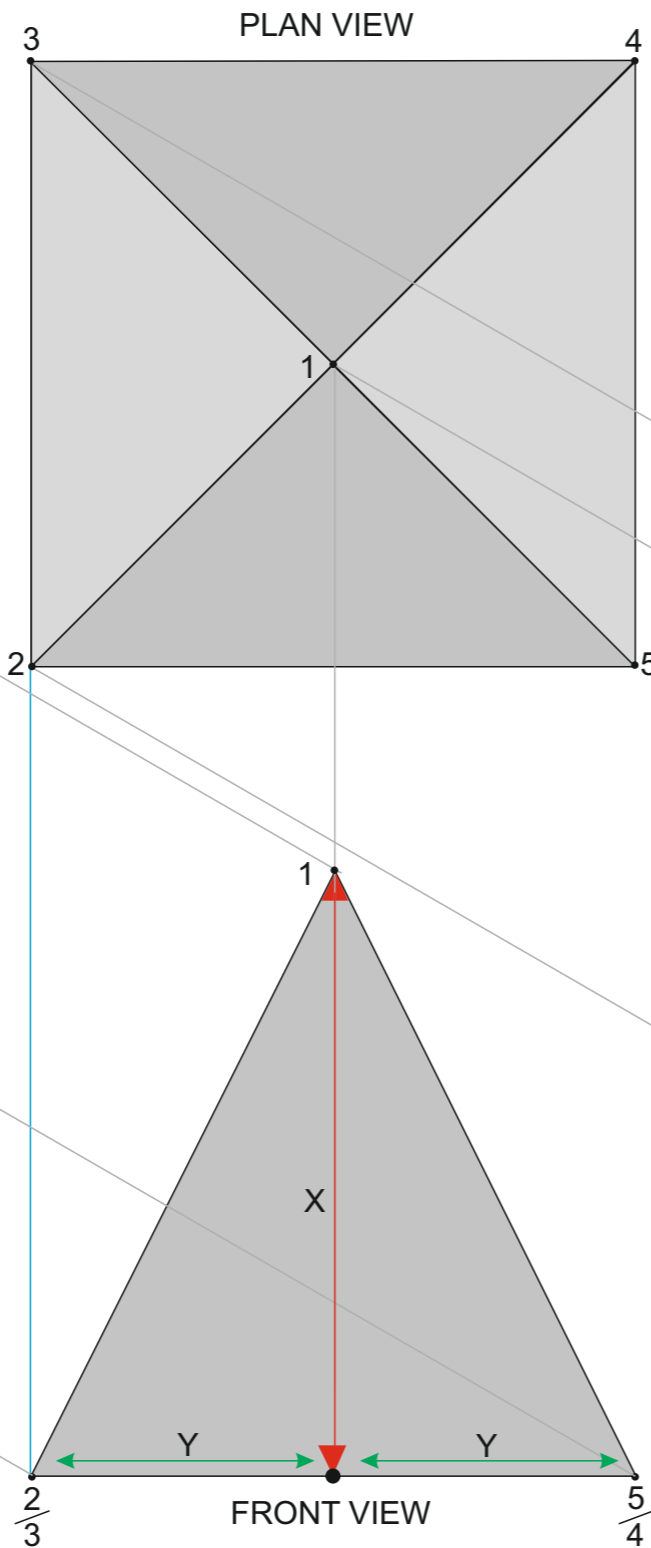
<https://www.facebook.com/groups/254963448192823/>

technologystudent.com © 2024

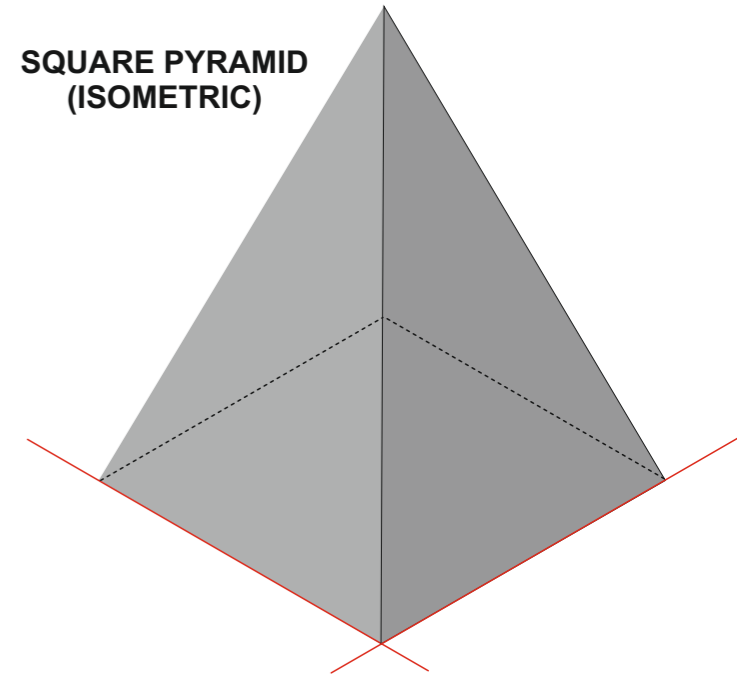
V.Ryan © 2024

QUESTION

Complete the two auxiliary views, of the Square Pyramid.
Details and dimensions are shown on the right of the page.



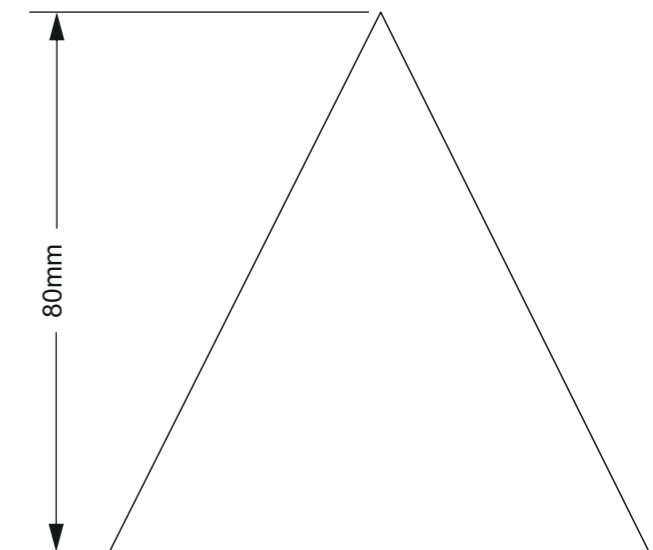
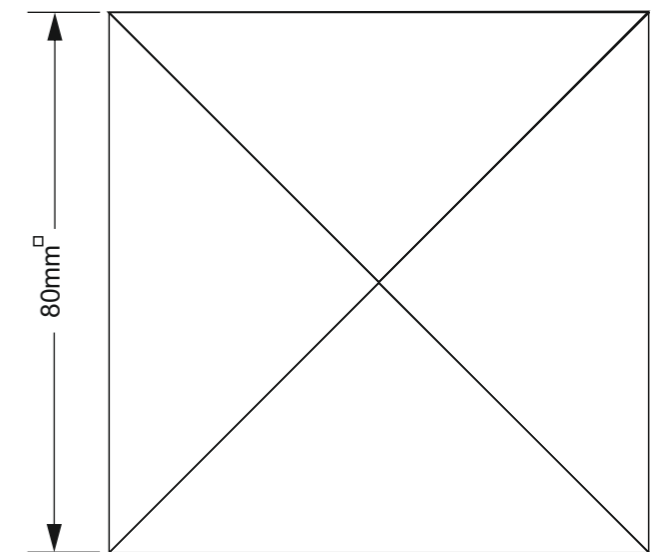
SQUARE PYRAMID
(ISOMETRIC)



DIMENSIONS

(not drawn to scale)

PLAN VIEW

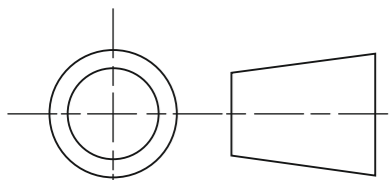


FRONT VIEW

HELPFUL LINK:

https://technologystudent.com/despro_3/auxil10.html

HELPFUL LINK



THIRD ANGLE PROJECTION

AUXILIARY VIEWS - ORTHOGRAPHIC DRAWING

WORLD ASSOCIATION OF TECHNOLOGY TEACHERS

<https://www.facebook.com/groups/254963448192823/>

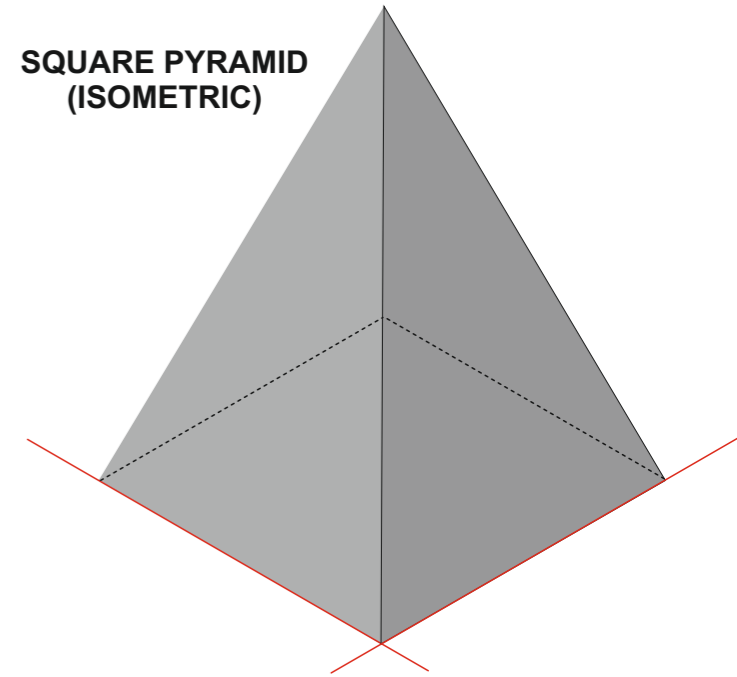
technologystudent.com © 2024

V.Ryan © 2024

QUESTION

Draw the Front, side and two auxiliary views, of the Square Pyramid. Details and dimensions are shown on the right of the page.

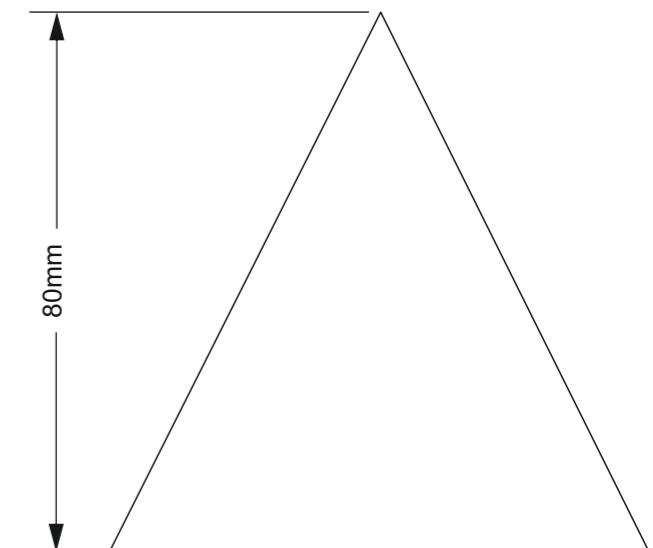
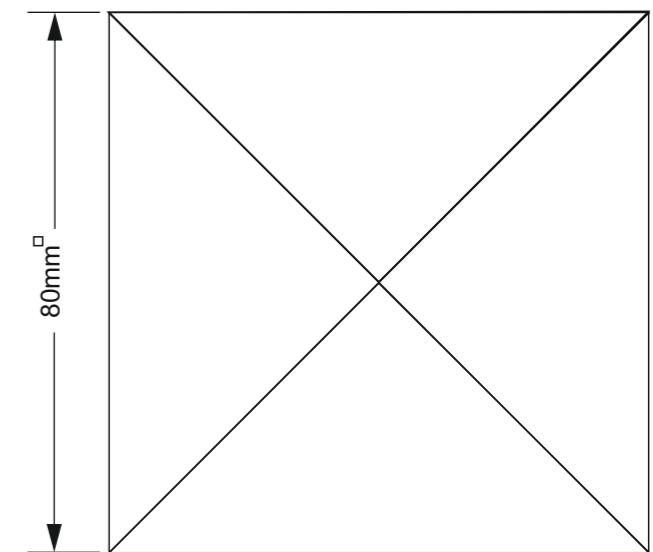
SQUARE PYRAMID
(ISOMETRIC)



DIMENSIONS

(not drawn to scale)

PLAN VIEW

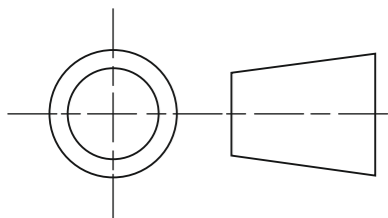


FRONT VIEW

HELPFUL LINK:

https://technologystudent.com/despro_3/auxil10.html

HELPFUL LINK



THIRD ANGLE PROJECTION