

DEVELOPMENTS - TRUNCATED PYRAMID

HELPFUL LINK: https://technologystudent.com/despro_3/develp5.html

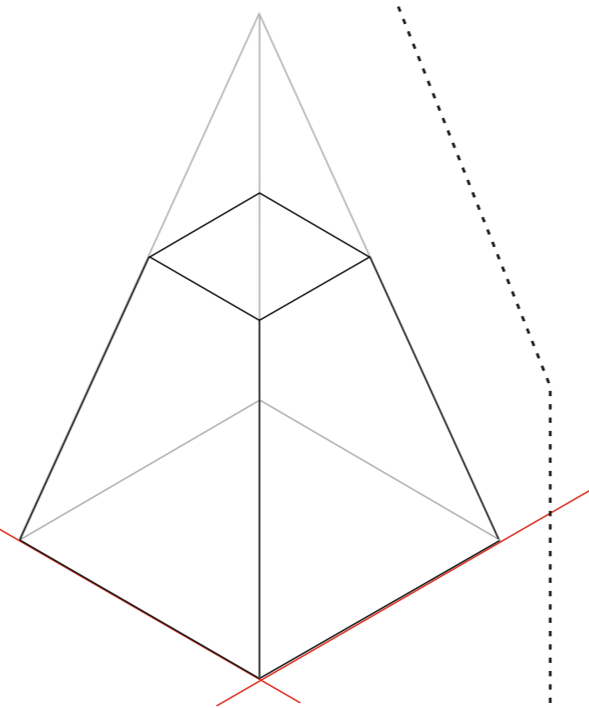
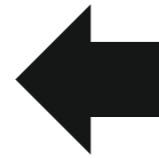
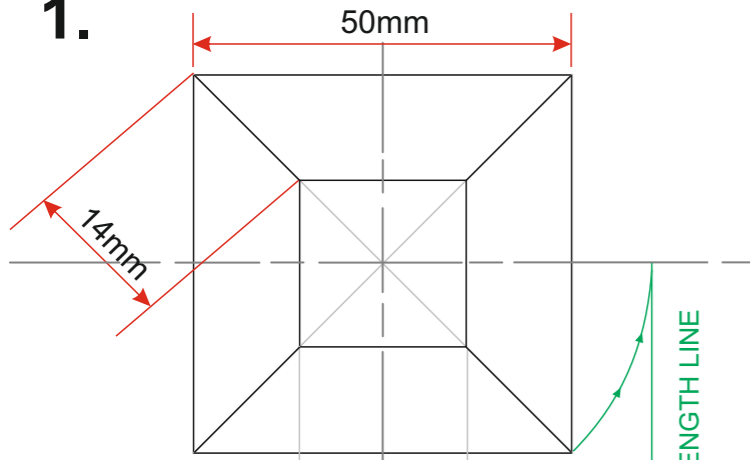
QUESTION

COMPLETE THE DEVELOPMENT OF THE TRUNCATED SQUARE PYRAMIDS 1 AND 2.

HELPFUL LINK



1.



2.

